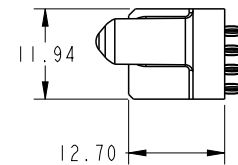
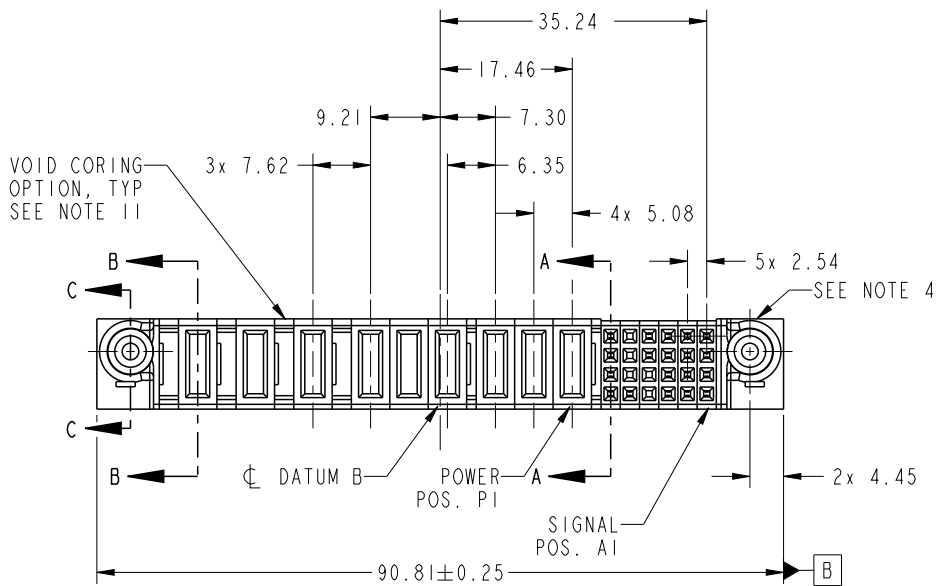


PRODUCT NO. 51940-488-- NOTE: 3	ROWS D C B A	POWER										SIGNAL					E1	
		E2	P9	P8	P7	P6	P5	P4	P3	P2	P1	6	5	4	3	2		1
			PC	PC	PC	PC	PC	PC	PC	PC	PC	F	X	F	F	F	F	
											F	X	F	F	F	F		
											F	X	F	F	F	F		
											F	X	F	F	F	F		

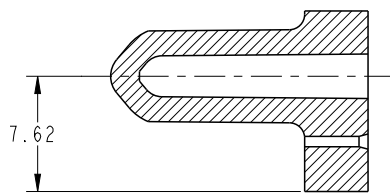
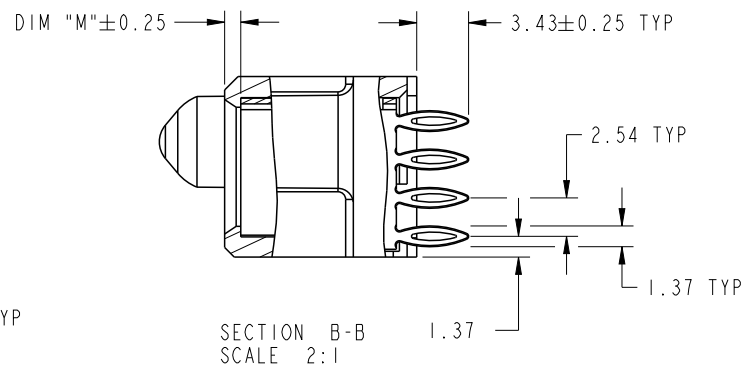
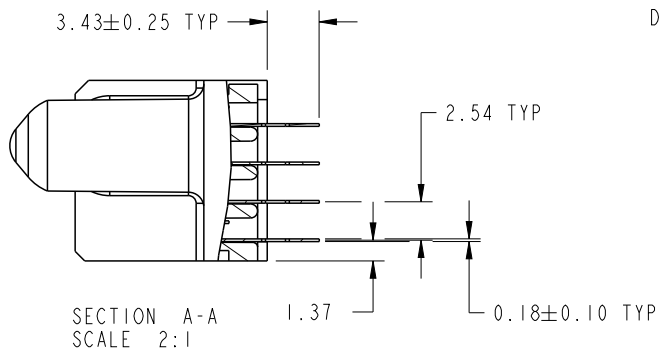


CODE	DIM "M" MATING LENGTH	CONTACT TYPE
PC	[1.07]	POWER
F	[N/A]	SIGNAL
X	OMITTED	OMITTED

spec ref	*	dr	Luo Weller	2013/04/14	projection	MM	size	A4	scale	1:1	
tolerance std	TOLERANCES UNLESS OTHERWISE SPECIFIED	eng	Luo Weller	2013/04/23			ecn no	-			
SEE NOTE		chr	-	-				product family	PwrBlade	rel level	Released
surface	linear	0.X	±0.5		24S+6P+3ACP	dwg no	51940-488			rev	A
		0.XX	±0.25				VERTICAL PRESS-FIT RECEPT				
	angular	0°	±2°	www.fci.com	cat. no.	*	Product - Customer Drw			sheet 1 of 4	

PRODUCT NUMBER

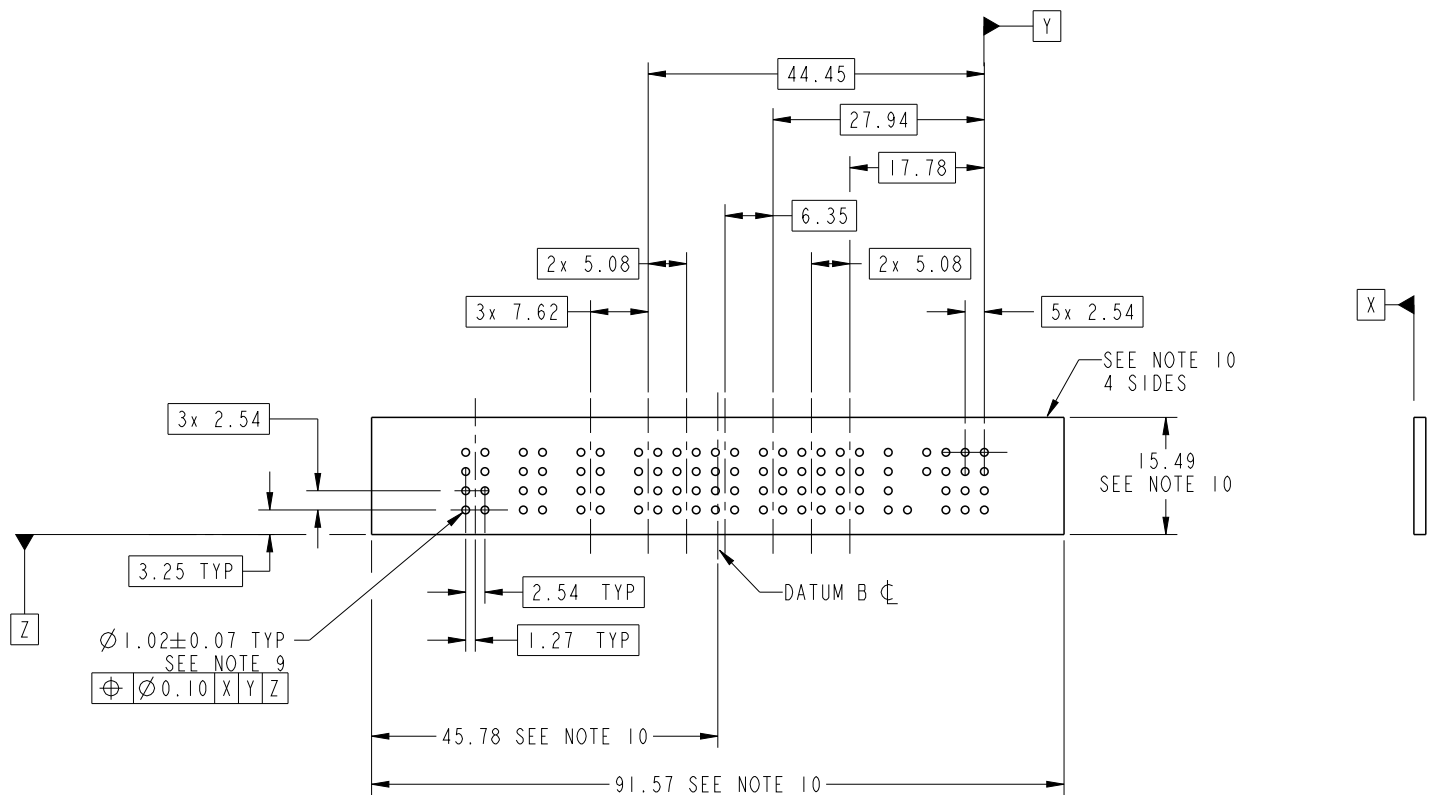
51940-488\_\_  
NOTE: 3



dr	Luo Weller	2013/04/14	projection 	MM 	size	A4	scale	1:1
eng	Luo Weller	2013/04/23			ecn no	-		
chr	-	-			rel level	Released		
appr	Pei-Ming Zheng	2013/04/23	product family	PwrBlade	rev	A		
	title	24S+6P+3ACP VERTICAL PRESS-FIT RECEPT		dwg no	51940-488			
www.fci.com	cat. no.	*	Product - Customer Drw		sheet 2 of 4			

PRODUCT NUMBER

51940-488\_\_  
NOTE: 3



RECOMMENDED PCB LAYOUT

dr	Luo Weller	2013/04/14	projection 	MM 	size	A4	scale	1:1
eng	Luo Weller	2013/04/23			ecn no	-		
chr	-	-			rel level	Released		
appr	Pei-Ming Zheng	2013/04/23	product family	PwrBlade	rev	A		
	title	24S+6P+3ACP VERTICAL PRESS-FIT RECEPT		dwg no	51940-488			
www.fci.com	cat. no.	*	Product - Customer Drw		sheet 3 of 4			



Copyright FCI.

PRODUCT NUMBER

51940-488\_\_  
NOTE: 3

NOTES:

1. DIMENSIONS AND TOLERANCES ARE IN ACCORDANCE WITH ASME Y14.5M, 1994 UNLESS OTHERWISE SPECIFIED.

CONNECTOR NOTES:

- ② HOUSING MATERIAL: UL 94 V-0 GLASS FILLED HIGH-TEMP THERMOPLASTIC  
POWER CONTACT MATERIAL: COPPER ALLOY  
SIGNAL PIN MATERIAL: COPPER ALLOY
- 3. SEE ITEM 7 & 8 IN PRINT 10064183 FOR PLATING SPEC OF 51940-488 AND 51940-488LF RESPECTIVELY.
- ④ MANUFACTURER'S NAME, DATE CODE AND OPTIONAL P/N TO APPEAR ON THIS SURFACE. THE MARK CAN BE OMITTED IF THERE IS NOT ENOUGH SPACE ON THIS SURFACE.
- 5. PRODUCT SPECIFICATION GS-12-149.  
APPLICATION SPECIFICATION BUS-20-067.
- 6. PACKAGED IN TRAYS.
- PCB NOTES:
- 7. ALL HOLE DIAMETERS ARE FINISHED HOLE SIZE.
- ⑧ MOUNTING HOLES, WHERE APPLICABLE, ARE UNPLATED.
- ⑨  $\varnothing 1.151 \pm 0.025$  DRILLED HOLES PLATED WITH  
0.008 MIN SnPb OR Sn OVER 0.03  
TO 0.08 Cu PLATING TO ACHIEVE  
 $\varnothing 1.02 \pm 0.07$  HOLE.
- ⑩ CONNECTOR KEEP-OUT ZONE.
- 11. THE VOID CORING IN BETWEEN POWER MODULES, SIGNAL MODULES AND END MODULES ARE OPTIONAL AND THE SHAPE MAY BE DIFFERENT FOR OPTIMIZE THE MOLDING PROCESS. THE VOID CORING WILL NOT EFFECT TO PRODUCT FUNCTION.



Copyright FCI.

dr	Luo Weller	2013/04/14	projection 	MM 	size	A4	scale	1:1
eng	Luo Weller	2013/04/23			ecn no	-		
chr	-	-			product family	PwrBlade	rel level	Released
appr	Pei-Ming Zheng	2013/04/23			title 24S+6P+3ACP VERTICAL PRESS-FIT RECEPT	dwg no 51940-488	rev A	
www.fci.com		cat. no.	*	Product - Customer Drw		sheet 4 of 4		