

Product Change Notice

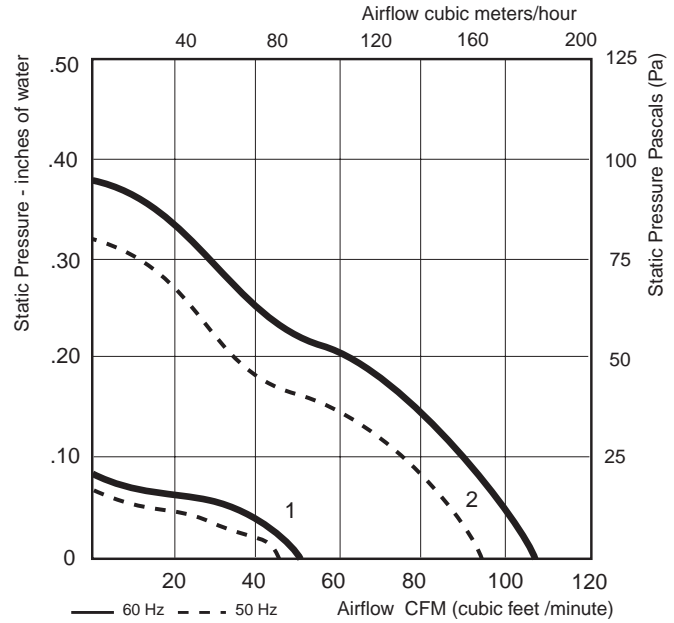
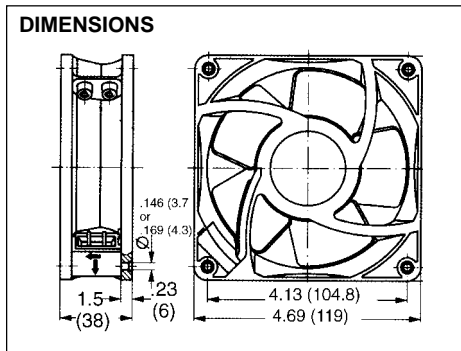
| | |
|-------------------------|--------------------------------------------------------------------------------------------------------------------------------------------|
| Date: | January 21, 2021 |
| Overview: | Obsolescence of part number 4600XP |
| Reason for Change: | Low global usage |
| Affected Part No(s): | 4600XP |
| Design Change Detail: | Part number 4600XP is being obsoleted due to low global usage. The direct replacement is part number 4600X (same form, fit, and function). |
| Effective Date: | Last time buy orders can be placed through Wednesday 1/27/21 after which this product will no longer be available |
| Last Time Buy Deadline: | January 27, 2021 |
| Pricing: | No changes |
| ebm-papst employee: | Jeannine Zenobi |
| Attachments: | Datasheet – 4600N and 4600X Series |
| Comments: | N/A |

| | | |
|--------------------------------|---------------------------|-------------------------------|
| Form No: 1274 | Quality Record - No | Page 1 of 1 |
| Rev. – Orig, Released 08/28/14 | Retention Period – 1 year | Dept. Owner – Sales/Marketing |

119 x 38mm (4.7" X 1.5") AC FAN

4000N & X Series

Terminals
Air Intake – Over Struts



AVAILABLE WITH:

HIGH PERFORMANCE
SINTEC
SLEEVE BEARING SYSTEM

4.69" X 4.69" X 1.50" AC Fan, All Metal, Air intake – Over struts

| Curve | PART NUMBER | Type of Bearing | AC Volts | Hertz | Watts | CFM @ 0" | dBA | Temp. Max °C | Wgt. (oz) | Features | Approvals* | | |
|-------|----------------|-----------------|----------|-------|-------|----------|-----|--------------|-----------|--------------------|------------|-----|-----|
| | | | | | | | | | | | UL | CSA | VDE |
| 1 | 4840N** | Sleeve | 115 | 50/60 | 10 | 50 | 26 | 80 | 19 | Terminals | √ | √ | √ |
| 1 | 4890N** | Sleeve | 230 | 50/60 | 10 | 50 | 26 | 80 | 19 | Terminals | √ | √ | √ |
| 2 | 4600N | Sleeve | 115 | 50/60 | 18 | 106 | 50 | 60 | 19 | Terminals | √ | √ | √ |
| 2 | 4600X | Sleeve | 115 | 50/60 | 18 | 106 | 50 | 60 | 19 | Terminals | √ | √ | √ |
| 2 | 4600XP | Sleeve | 115 | 50/60 | 18 | 106 | 50 | 60 | 19 | Terminals | √ | √ | √ |
| 2 | 4650N | Sleeve | 230 | 50/60 | 18 | 106 | 50 | 60 | 19 | Terminals | √ | √ | √ |
| 2 | 4650X | Sleeve | 230 | 50/60 | 18 | 106 | 50 | 60 | 19 | Terminals | √ | √ | √ |
| 2 | 4606N | Ball | 115 | 50/60 | 18 | 106 | 51 | 90 | 19 | Terminals | √ | √ | √ |
| 2 | 4606X | Ball | 115 | 50/60 | 18 | 106 | 51 | 90 | 19 | Terminals | √ | √ | √ |
| 2 | 4656N | Ball | 230 | 50/60 | 18 | 106 | 51 | 90 | 19 | Terminals | √ | √ | √ |
| 2 | 4656X | Ball | 230 | 50/60 | 18 | 106 | 51 | 90 | 19 | Terminals | √ | √ | √ |
| 2 | 4660N | Sleeve | 115/230 | 50/60 | 18 | 106 | 51 | 60 | 19 | 22 AWG 12.2" Leads | √ | √ | √ |
| 2 | 4624N | Sleeve | 24 | 50/60 | 18 | 106 | 50 | 60 | 19 | Terminals | √ | √ | √ |

** 4840N and 4890N have air flow of air exhaust over struts.

NOTE: 4600XP has a 5 year warranty

* UL yellow card E38324, CSA file 27697, VDE file 6617 (4600), 4621 (4650, 4850), 9989 (4606/08)

| | | | | |
|------------------------------------------|------------------|------------------------------------------------------------------------------------------------|--------------------|--------------------------------------|
| CONSTRUCTION MOUNTING & CONNECTION | Mounting: | Either face using four .169" (4.3mm) holes (N versions) .146" (3.7mm) holes (X versions) | Weight: | 19 ounces (550g) |
| | | | Housing: | Metal with metal impeller |
| | | | Connection: | Terminals, .118" x .02" (3.0 x .5mm) |