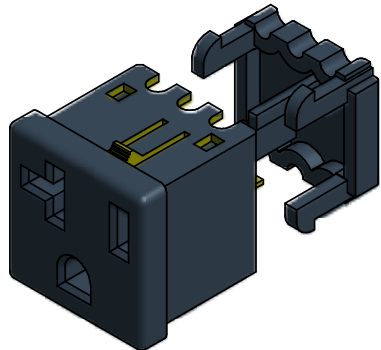
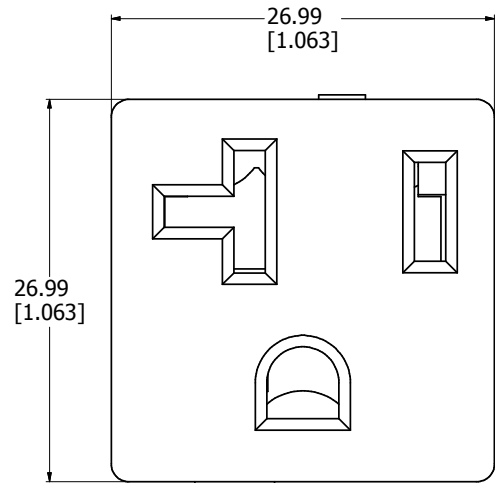


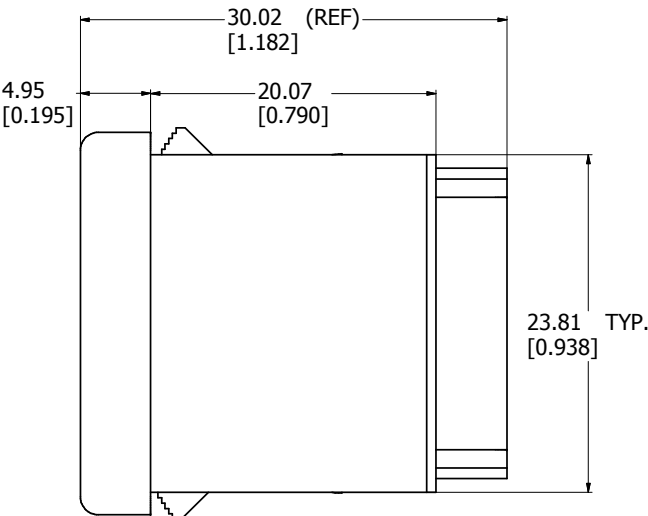
8 | 7 | 6 | 5 | 4 | 3 | 2 | 1



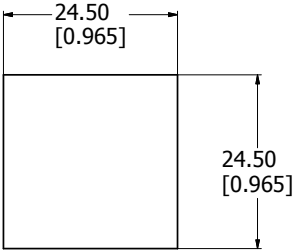
ISOMETRIC VIEW



TOP VIEW



SIDE VIEW



PANEL CUTOUT (NOT TO SCALE)

1584SR20
Type - NEMA 5-15/20R, Black Nylon
Rating - 20 Amps, 125 VAC
Recommended Panel Thickness 0.8MM to 1.8MM
Use 12 AWG Solid Copper Wire (TEW Type, or Equivalent)



8 | 7 | 6 | 5 | 4 | 3 | 2 | 1

F
E
D
C
B
A

F
E
D
C
B
A