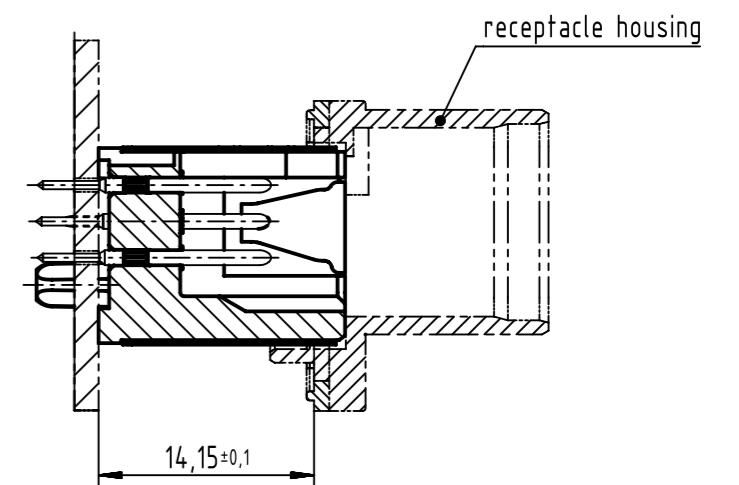
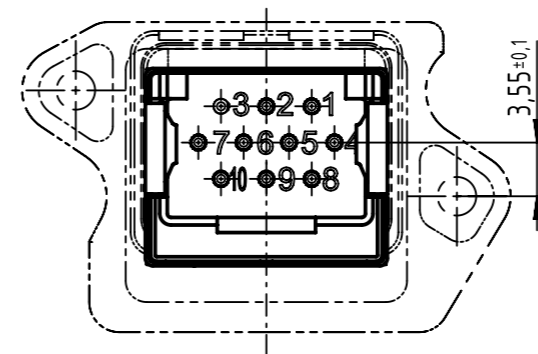
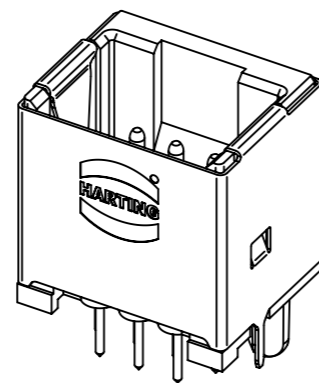
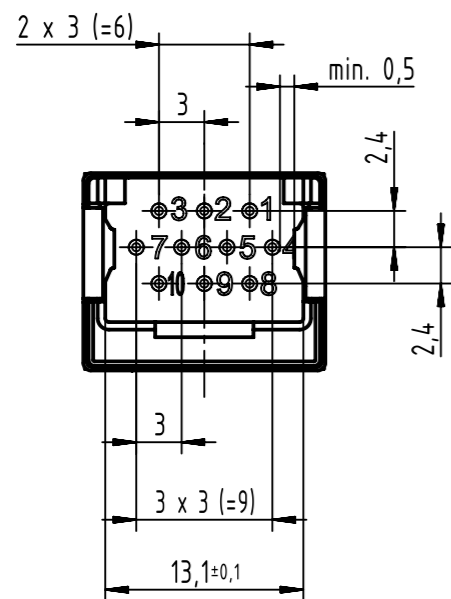
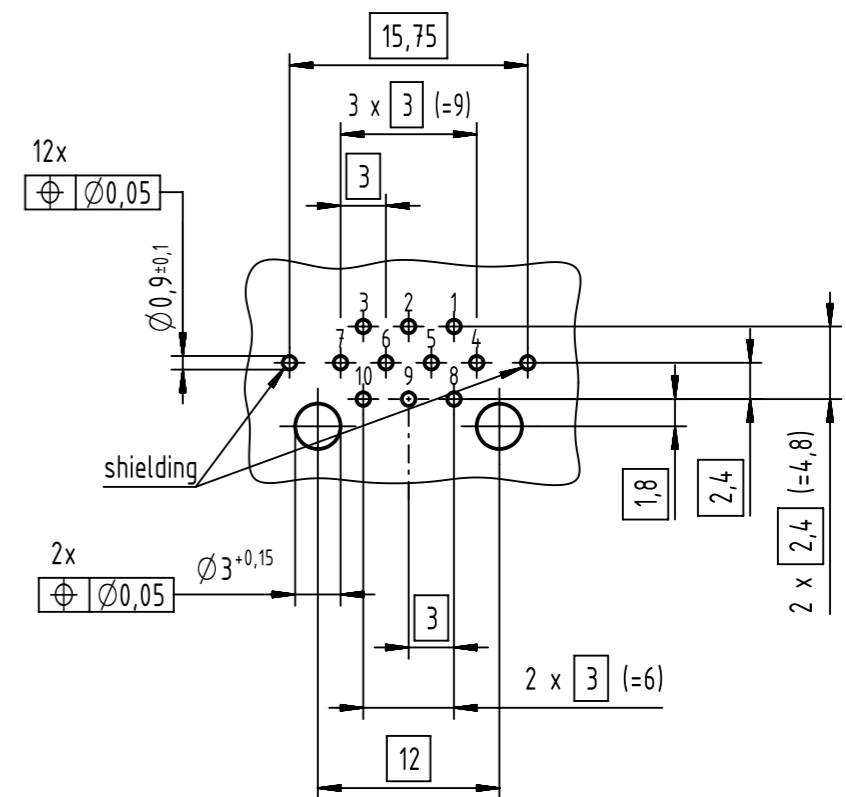


PCB layout  
(top side)



further information see: DS 0945000901

	All rights reserved Department EC PD - DE	Created by HASELOH	Inspected by LUETTERMANN	Standardisation HOFFMANN	Date 2015-02-10	State Final Release	Ref. Sub. TB 09455459012 2014-10-02 500000080178
	HARTING Electronics GmbH D-32339 Espelkamp	Title HPP V4 Signal THT insert 10-pole straight				Doc-Key / ECM-Nr. 100532759/UGD/006/F 500000081019	