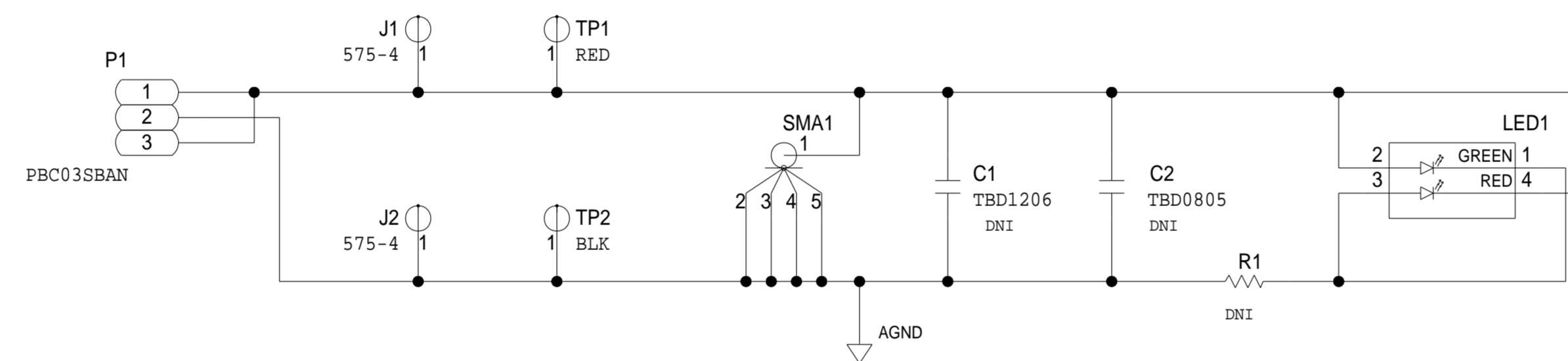


REVISIONS			
REV	DESCRIPTION	DATE	APPROVED

OUTPUT BOARD



	SCHEMATIC		
	HW TYPE : SCP EVAL-Z Product(s) : SCP_Output terminal : SCP_Output terminal		
	DESIGN VIEW <DESIGN_VIEW>	DRAWING NO. 02_051911	REV B
	PTD ENGINEER A. SERQUINA	SIZE D	SCALE 1:1
SHEET 2 OF 2		SHEET 2 OF 2	