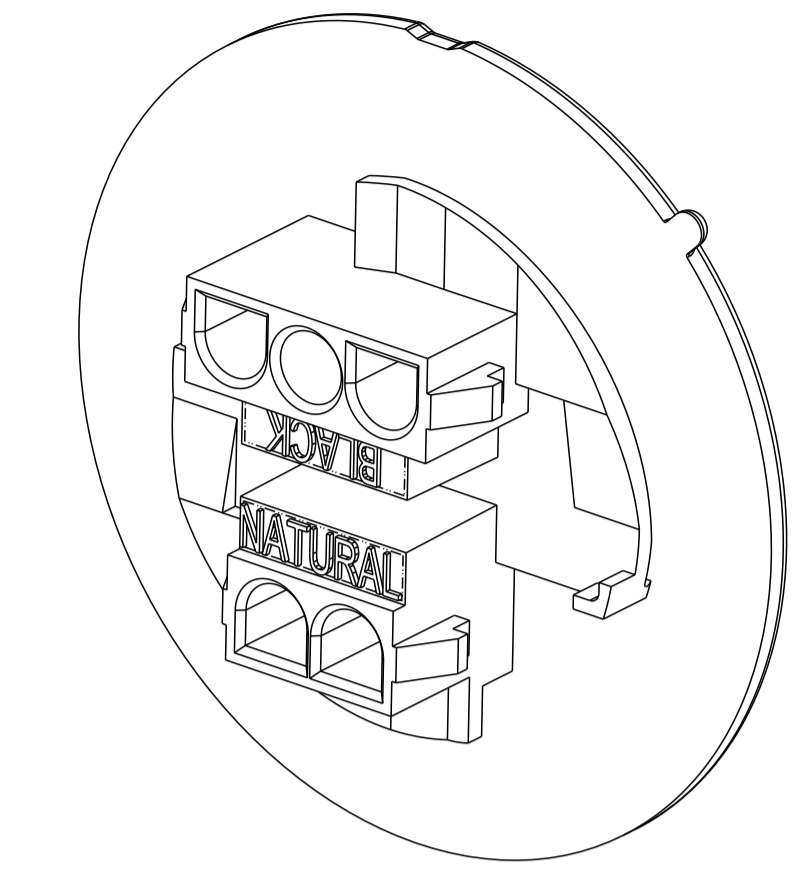
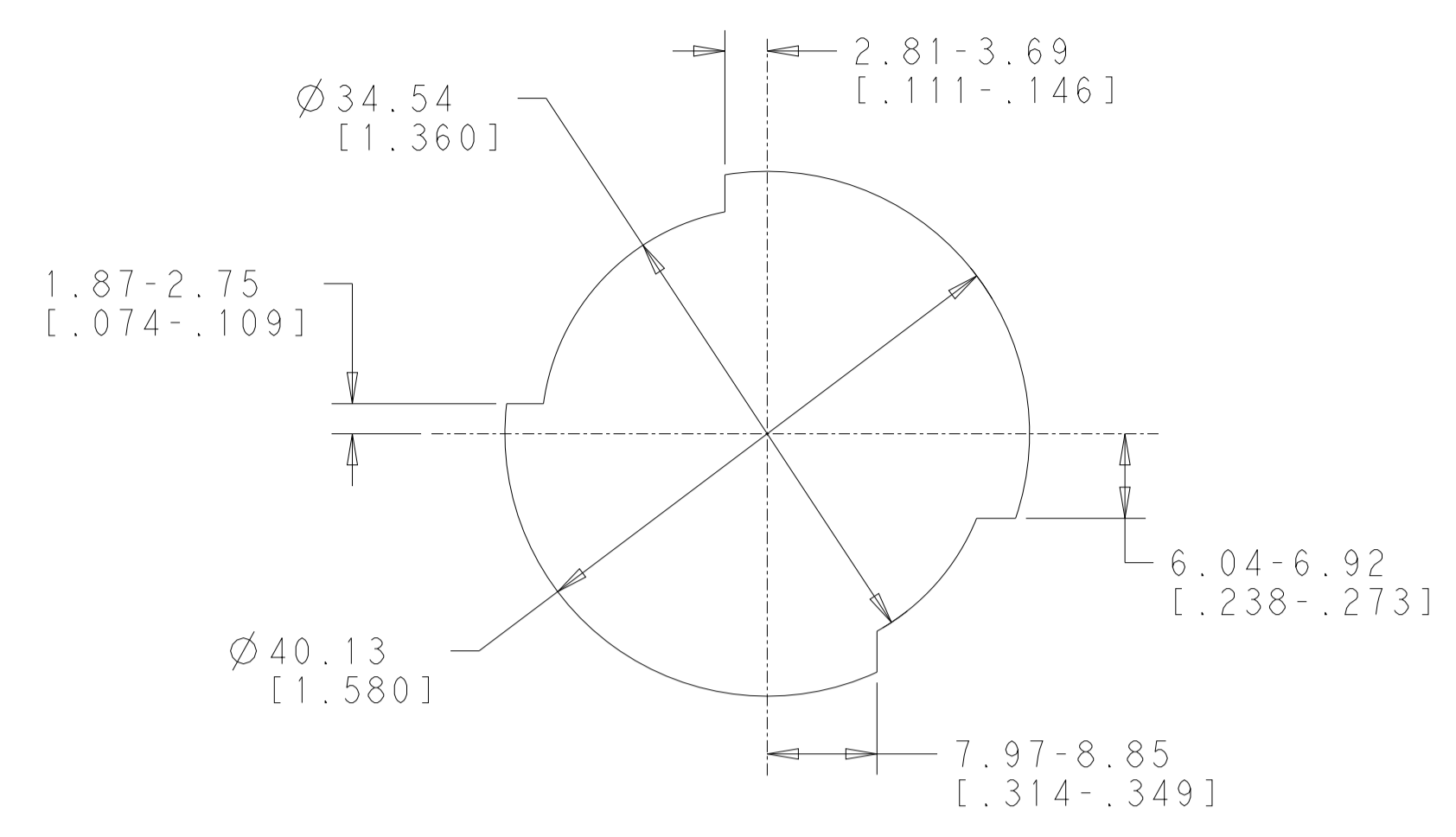
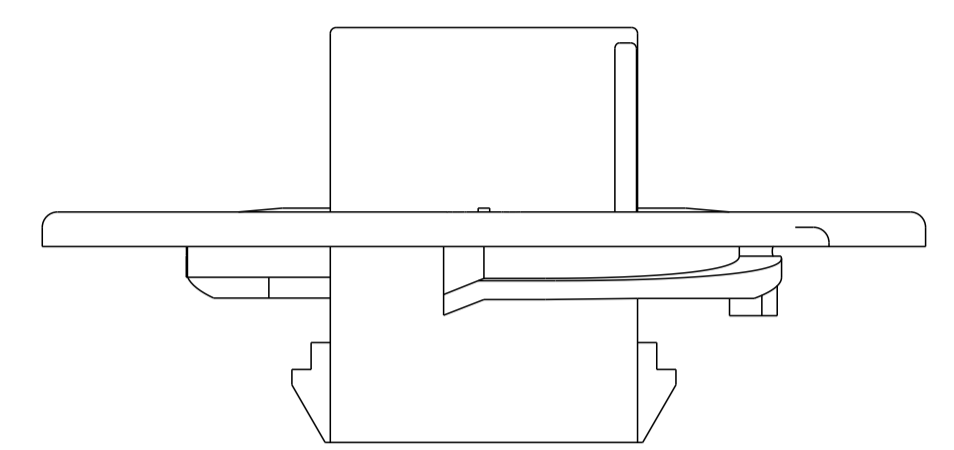
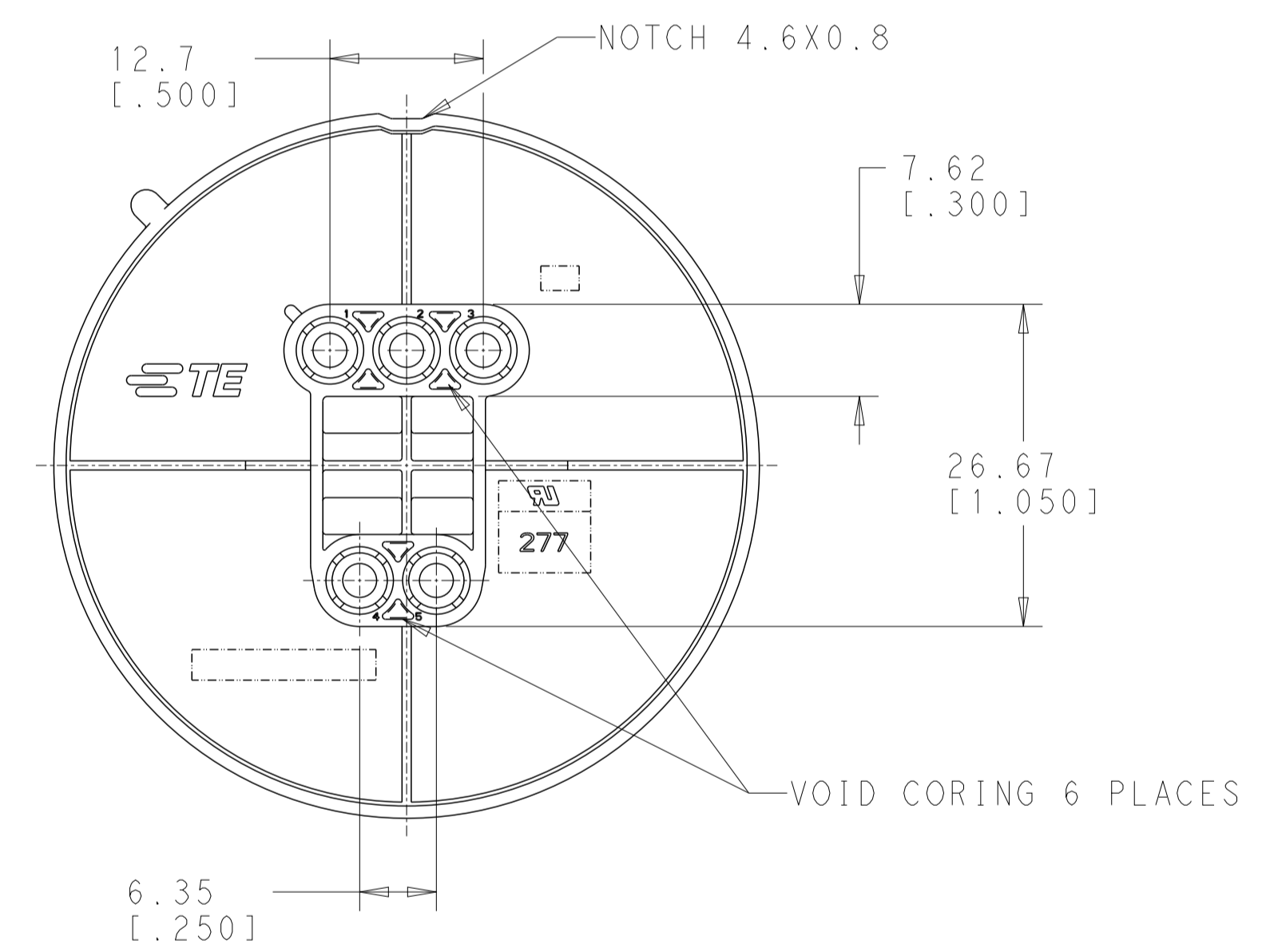
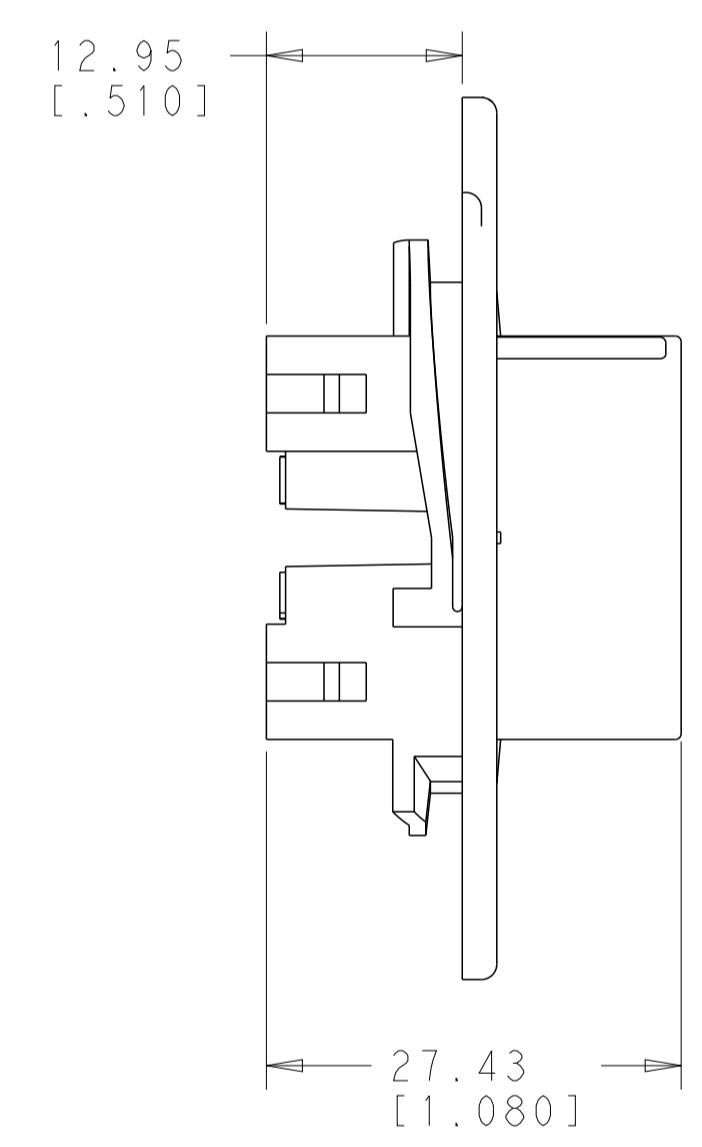
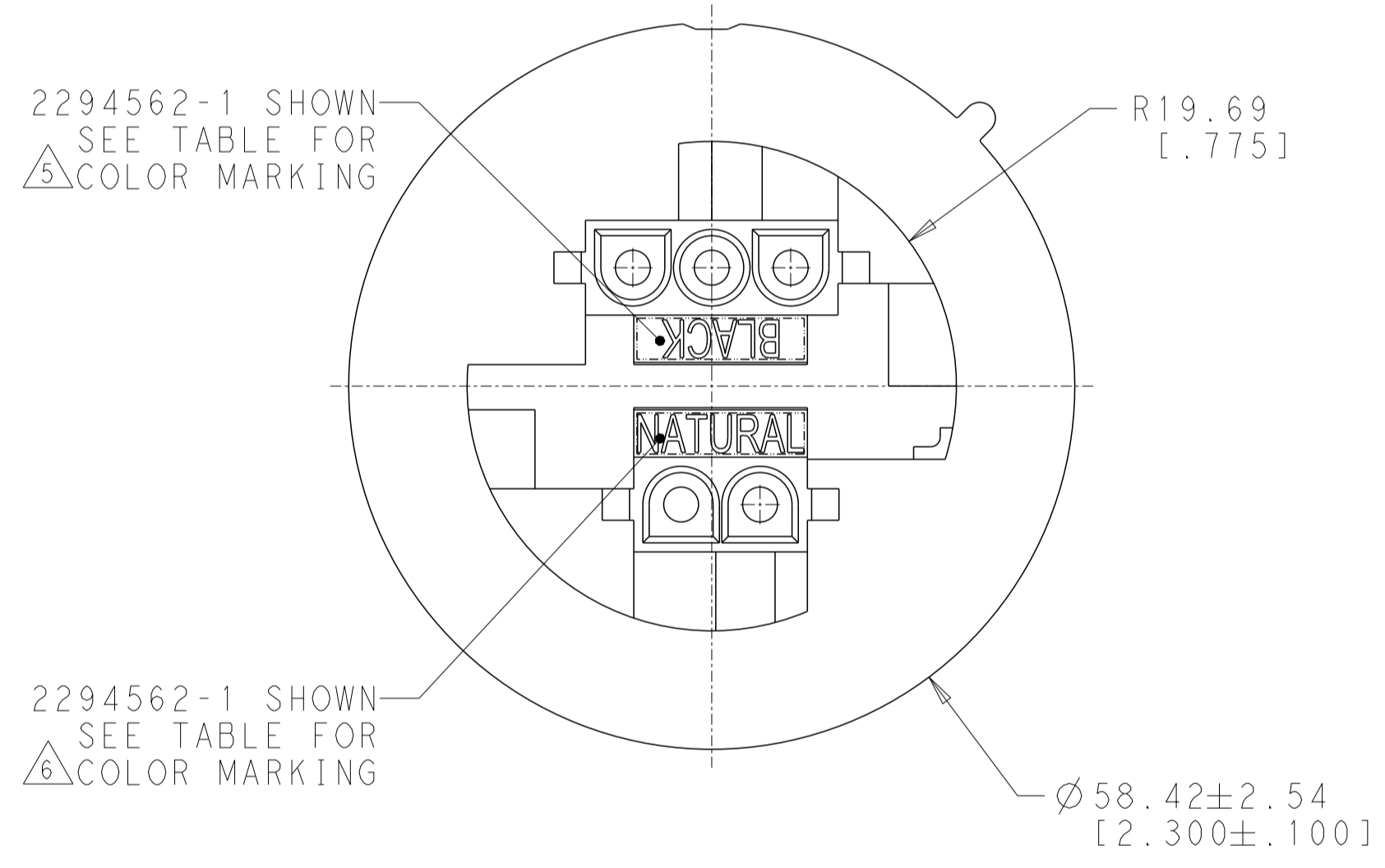


| REVISIONS |     |                           |           |       |
|-----------|-----|---------------------------|-----------|-------|
| P         | LTN | DESCRIPTION               | DATE      | APVD  |
| B         |     | REVISED PER ECR-17-017770 | 15DEC2017 | BW SF |
| B1        |     | REVISED PER ECR-22-139440 | 08JUN2022 | SS VS |
| B2        |     | REVISED PER ECR-22-159989 | 30NOV2022 | RS RB |



RECOMMENDED PANEL CUTOUT  $\triangle$



- 1 MATES WITH APPROPRIATE 2 POSITION AND 3 POSITION UNIVERSAL MATE-N-LOK PLUG HOUSINGS.
- $\triangle$  2 RECOMMENDED PANEL THICKNESS 0.76-1.91 [.030-.075].
- 3 PANEL MUST BE PUNCHED SO THAT THE HOUSING ENTERS THE PANEL IN THE SAME DIRECTION AS THE PUNCH.
- 4 DIMENSIONS SHOWN REPRESENT PRODUCT IN DRY, AS MOLDED, CONDITION. ADDITIONAL 2% GROWTH DUE TO SUBSEQUENT MOISTURE ABSORPTION MAY OCCUR AND SHOULD BE ACCOUNTED FOR.
- $\triangle$  3 3 POSITION MATING PART COLOR CODING MARKING, SEE TABLE.
- $\triangle$  2 2 POSITION MATING PART COLOR CODING MARKING, SEE TABLE.
- $\triangle$  7 THIS PRODUCT HAS NOT COMPLETED QUALIFICATION TESTING.
- $\triangle$  8 PRELIMINARY PART-NOT RELEASED FOR PRODUCTION

|  |   |   |             |
|--|---|---|-------------|
| BROWN  | RED                                       | RED   | 1-2294562-2 |
| NATURAL  | BLACK                                     | NATURAL   | 1-2294562-1 |
| BROWN  | RED                                       | RED   | 2294562-2   |
| NATURAL  | BLACK                                     | NATURAL   | 2294562-1   |
| $\triangle$ 2 POSITION<br>6 COLOR MARKING  | $\triangle$ 3 POSITION<br>5 COLOR MARKING | RESIN COLOR   | PART NO.    |
| THIS DRAWING IS A CONTROLLED DOCUMENT.   |   | DWN: RODNEY SMITH 12APR16<br>CHK: EVAN WICKES 12APR16<br>APVD: EVAN WICKES 12APR16<br>NAME: CAP, 2 AND 3 CIRCUIT UNIVERSAL MATE-N-LOK, SPECIAL<br>PRODUCT SPEC: 108-1031<br>APPLICATION SPEC: 114-1010<br>MATERIAL: NYLON, V2<br>FINISH: -<br>WEIGHT: -<br>CUSTOMER DRAWING |             |
| DIMENSIONS: IN<br>0 PLC ±.05<br>1 PLC ±.051 [.020]<br>2 PLC ±.051 [.020]<br>3 PLC ±.051 [.020]<br>4 PLC ±.051 [.020]<br>ANGLES ±.05<br>FINISH: - |   | TOLERANCES UNLESS OTHERWISE SPECIFIED:<br>SIZE: A1<br>CAGE CODE: -<br>DRAWING NO: C=2294562<br>SCALE: 2:1<br>SHEET: 1 OF 1<br>REV: B2   |             |