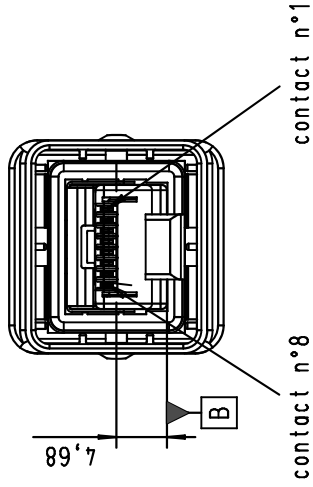
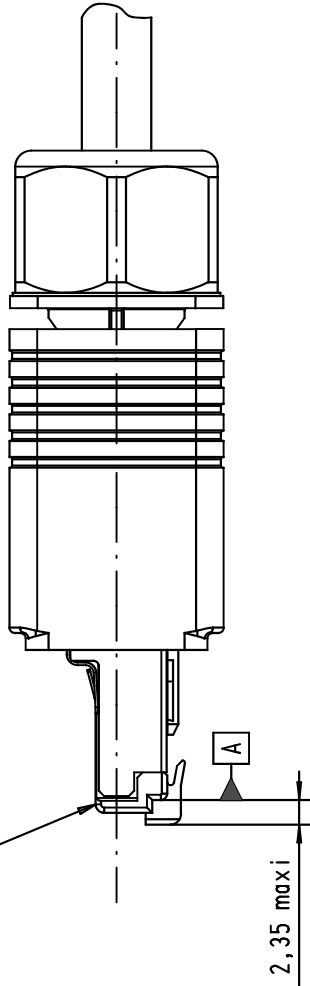
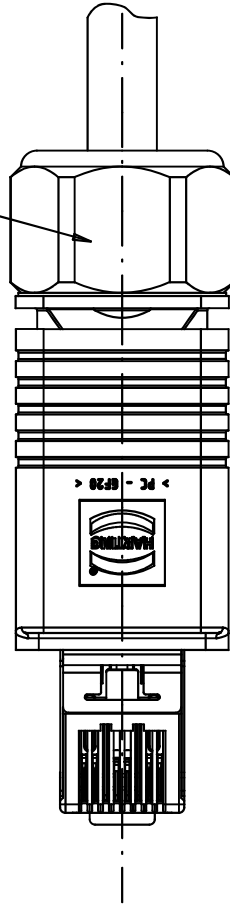


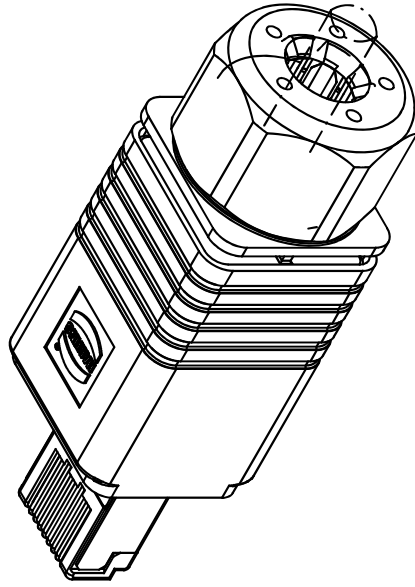
mating face according to IEC 60603-7



sealing gland and nut PG9

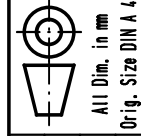


cable diameter: 4,9 to 8,6 mm
Stranded wire AWG 28/7-24/7



Data contact plating: Au 1,27 um over nickel

09 45 145 15 10 Data connector with Blue wires manager
09 45 145 15 00 Data connector with White wires manager



Mod.	Mod.	Mod.	Det.	Det.	Det.	Name	Magstab/ Scale
36298	09/05/12	SD	Detail.	20/05/04	A. Fakhrri	RJ-Industrial	1,5:1
36295	21/03/12	SD	Insp.	26/04/11	JB	HARTING PushPull plastic RJ45 IP65/67 shielded plug cat6 with 8 data contacts	
35656	16/02/09	AB	Stand.				
35652	12/02/09	AB					1 1
31904	20/05/04	AF				TB 09 45 145 15X0	
		None					Sub.

TB 09 45 145 15X0

Sub.

Mouser Electronics

Authorized Distributor

Click to View Pricing, Inventory, Delivery & Lifecycle Information:

HARTING:

[09451451500XL](#) [09451451510XL](#)