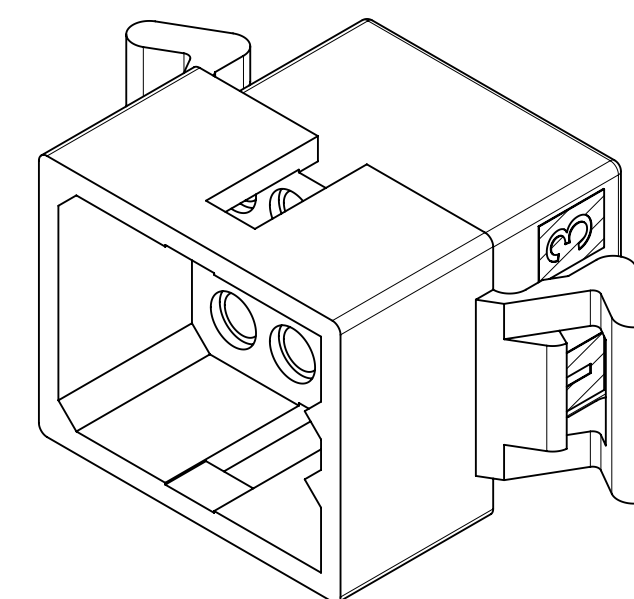


RECEPTACLE HOUSING (NOT TO SCALE)



PLUG HOUSING (NOT TO SCALE)

THIS DRAWING CONTAINS INFORMATION THAT IS PROPRIETARY TO MOLEX ELECTRONIC TECHNOLOGIES, LLC AND SHOULD NOT BE USED WITHOUT WRITTEN PERMISSION									
SYMBOLS		DIMENSION UNITS		SCALE		CURRENT REV DESC: INITIAL RELEASE			
= 0		IN/MM		2:1		molex .062 HOUSINGS, PLUG AND RECEPTACLE 12 CIRCUIT, .145 CENTERS			
= 0		GENERAL TOLERANCES (UNLESS SPECIFIED)							
= 0						EC NO: 600506			
= 0		4 PLACES ±		±		DRWN: SALHAMY 2018/06/15			
= 0		3 PLACES ±		± 0.01		CHK'D: MKIPPER 2018/06/15			
= 0		2 PLACES ±		± 0.25 ± 0.014		APPR: FSMITH 2018/06/18			
= 0		1 PLACE ±		± 0.36 ±		INITIAL REVISION:			
= 0		0 PLACES ±		±		DRWN: AZAHIROVIC 2018/02/23			
= 0		ANGULAR TOL		± 1.0 °		APPR:			
= 0		DRAFT WHERE APPLICABLE MUST REMAIN WITHIN DIMENSIONS				THIRD ANGLE PROJECTION		DRAWING SERIES	
= 0						C-SIZE		1625	
DOCUMENT STATUS		P1		RELEASE DATE		2018/06/18		13:09:24	
12		11		10		9		8	
7		6		5		4		3	
2		1		1		1		1	
DOCUMENT NUMBER		DOC TYPE		DOC PART		REVISION			
16251200-SD		PSD		000		A1			
MATERIAL NUMBER		CUSTOMER				SHEET NUMBER			
SEE CHART						1 OF 2			

PLUG	
PART NO.	ENG. NO.
03-06-2121	1625-12P ^{△6}
03-06-7121	1625-12PBK ^{△6}
03-06-2122	1625-12P1
03-06-7122	1625-12P1BK

RECEPTACLE	
PART NO.	ENG. NO.
03-06-1121	1625-12R ^{△6}
03-06-6121	1625-12RBK ^{△6}
03-06-1122	1625-12R1

RECEPTACLE LEGEND

1625 - 12 R * **

CIRCUIT SIZE
R = RECEPTACLE

BLANK = WITH PREBENT MOUNTING EARS
1 = WITHOUT EARS

COLOR:
BLANK = NATURAL COLOR
BK = BLACK

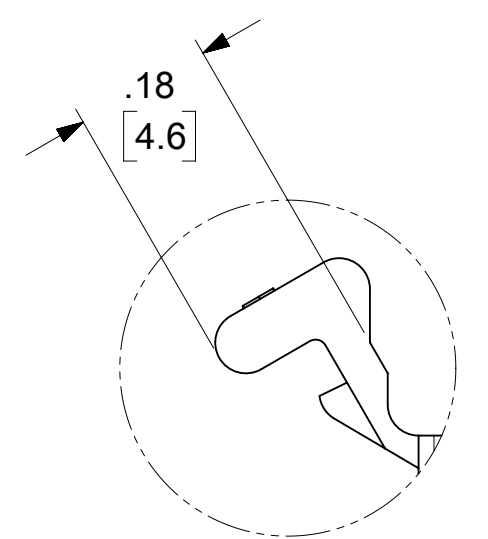
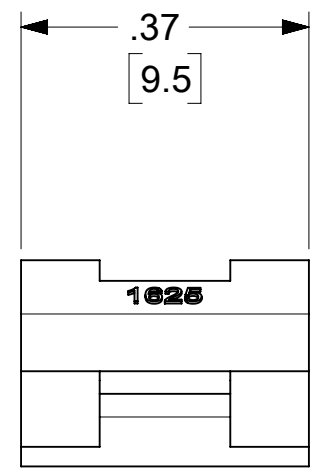
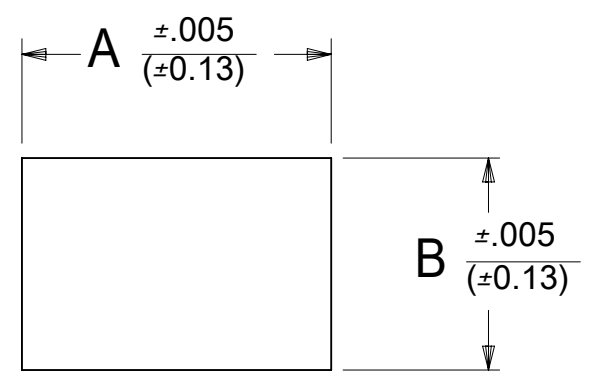
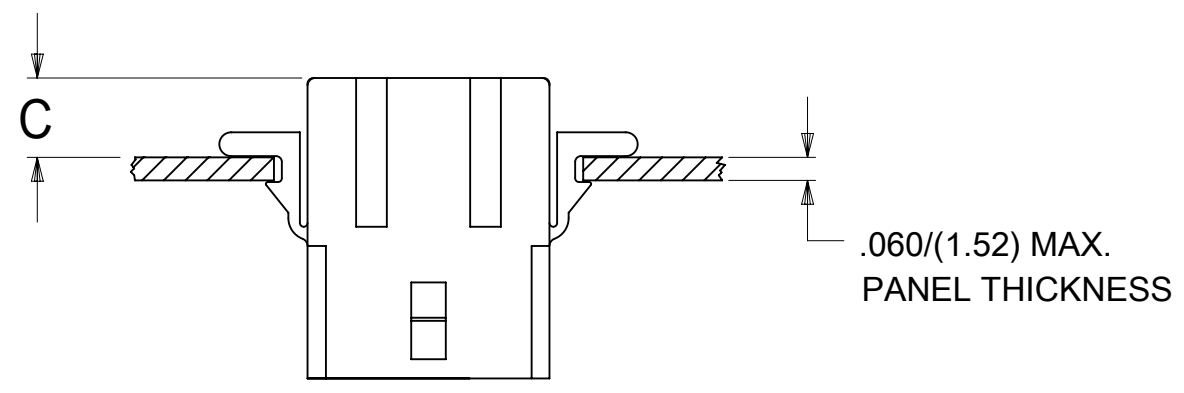
PLUG LEGEND

1625 - 12 P * **

CIRCUIT SIZE
P = PLUG

BLANK = WITH PREBENT MOUNTING EARS
1 = WITHOUT EARS

COLOR:
BLANK = NATURAL COLOR
BK = BLACK



DETAIL A
SCALE 4:1
.062/(1.57) PREBENT MOUNT EAR

NOTES:

- MATERIAL: NYLON TYPE 6/6, 94V-2.
- FINISH: NONE
- PRODUCT SPECIFICATION: PS-02-06
- PACKAGING SPECIFICATION: PK-1625-003
- THIS HOUSING FOR USE WITH .062/(1.57) DIA. TERMINALS.
- ^{△6} WHERE DENOTED IN CHART. TOOLS ARE BUILT WITH PREBENT MOUNTING EARS PER DETAIL A AND SUPERSEDE ALL TOOLS PREVIOUSLY BUILT WITH THE STANDARD MOUNTING EARS.
- ^{△7} CIRCUIT I.D. NUMBERS APPEAR ON PARTS FROM TOOLS BUILT AFTER 2/1/93.
- THIS DRAWING REPLACES SD-1625-12*.

RECOMMENDED HOLE PATTERN

RECEP.	.795/(20.19)	.563/(14.30)	.23/(5.8)
PLUG	.903/(22.94)	.614/(15.60)	.22/(5.5)
PART	DIM. A	DIM. B	DIM. C

SYMBOLS				THIS DRAWING CONTAINS INFORMATION THAT IS PROPRIETARY TO MOLEX ELECTRONIC TECHNOLOGIES, LLC AND SHOULD NOT BE USED WITHOUT WRITTEN PERMISSION			
^{△6} = 0	^{△7} = 0	^{△8} = 0	^{△9} = 0	DIMENSION UNITS: IN/MM		SCALE: 4:1	
GENERAL TOLERANCES (UNLESS SPECIFIED)				CURRENT REV DESC: INITIAL RELEASE			
^{△4} = 0	^{△3} = 0	^{△2} = 0	^{△1} = 0	MM	INCH	EC NO: 600506	
4 PLACES ±	3 PLACES ±	2 PLACES ±	1 PLACE ±	±	±	DRWN: SALHAMY	2018/06/15
±	±	± 0.01	± 0.014	± 0.25	± 0.014	CHK'D: MKIPPER	2018/06/15
±	±	±	±	± 0.36	±	APPR: FSMITH	2018/06/18
0 PLACES ±	ANGULAR TOL ± 1.0 °		THIRD ANGLE PROJECTION		DRAWING		SERIES
±	±		DRAFT WHERE APPLICABLE MUST REMAIN WITHIN DIMENSIONS		C-SIZE		1625
DOCUMENT NUMBER				DOC TYPE		DOC PART	
16251200-SD				PSD		000	
MATERIAL NUMBER				CUSTOMER		SHEET NUMBER	
SEE CHART						2 OF 2	