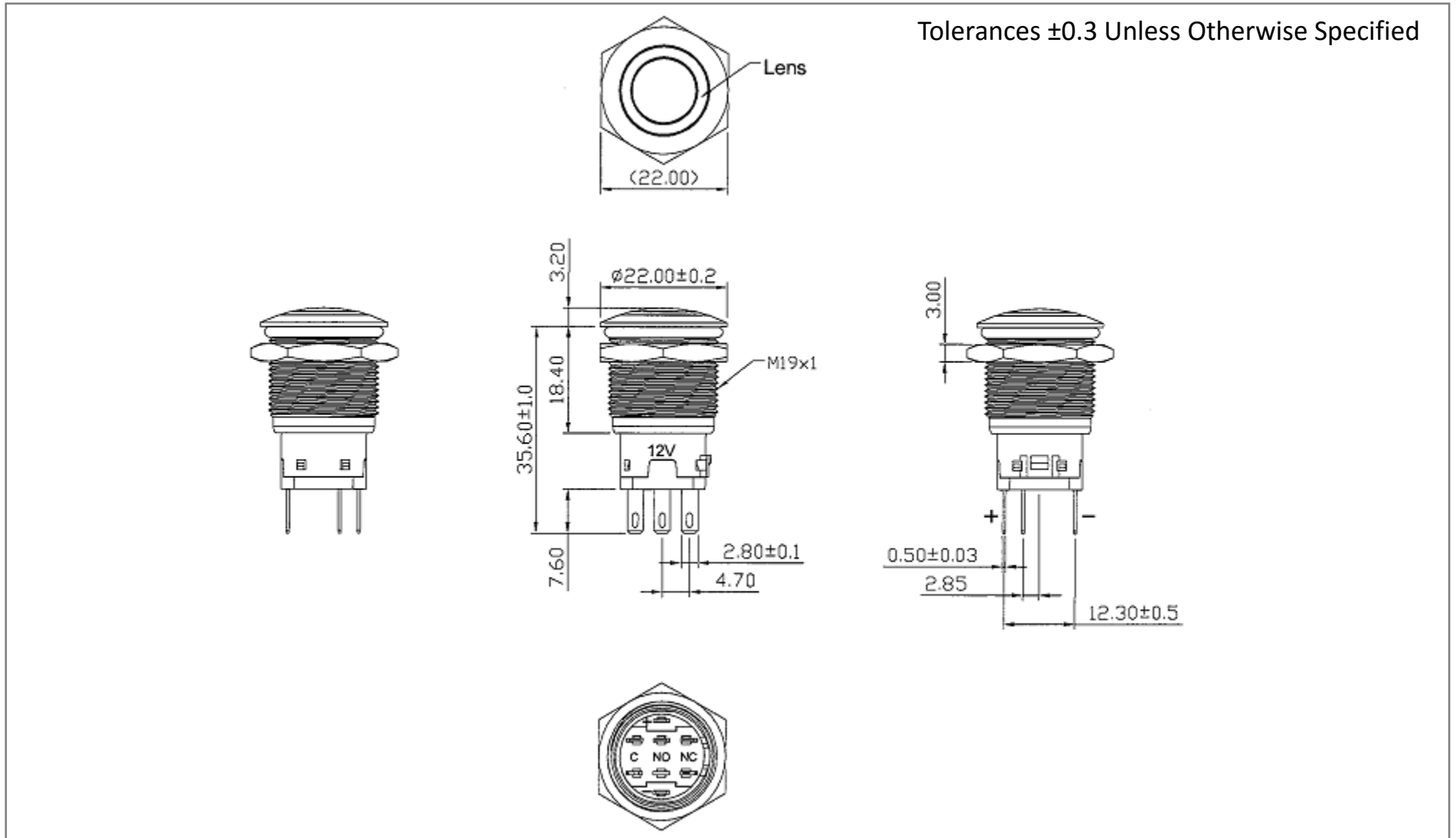
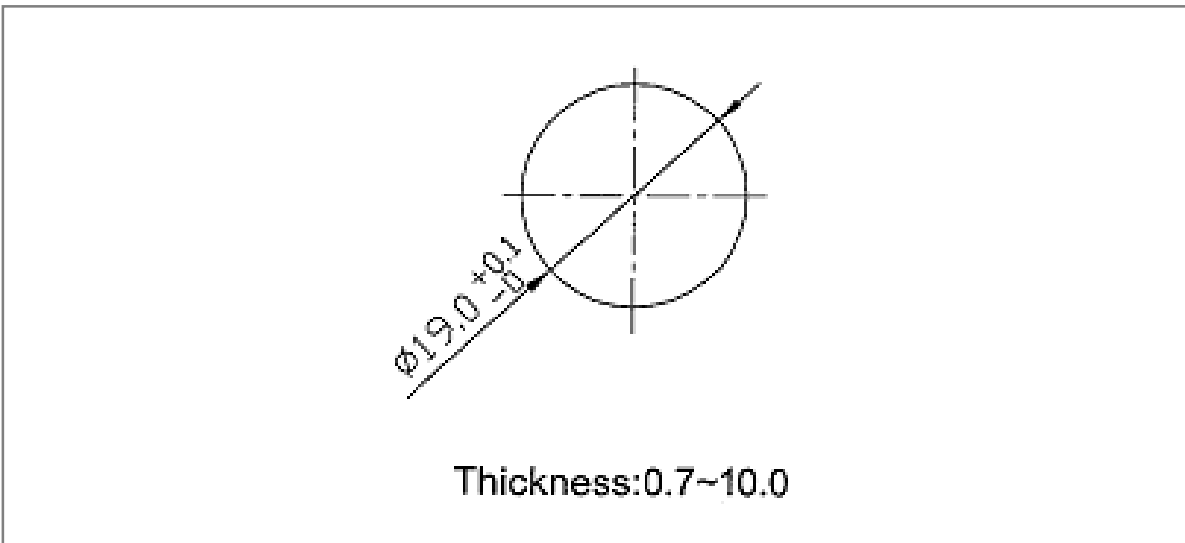


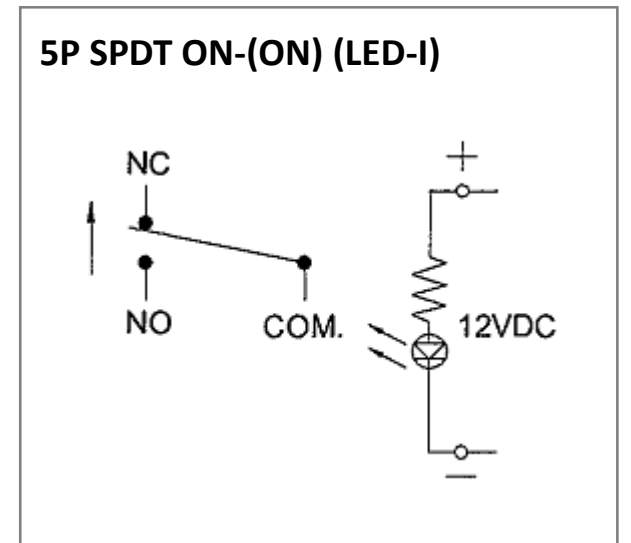
**Mechanical Dimensions (mm)**



**Mounting Hole**



**Circuit Diagram**



**Electrical Specifications**

<b>Rating</b>	10A 14V DC
<b>Contact Resistance</b>	50m ohm Max.
<b>Insulation Resistance</b>	DC 500V 100M ohm Min.
<b>Dielectric Strength</b>	AC 500V 1 minute
<b>Operation Temperature</b>	-20°C~70°C

**Material Specifications**

<b>Frame/Actuator/Hex Nut</b>	SUS304
<b>Lens</b>	PC, Green clear
<b>LED</b>	Green, Independent
<b>Housing</b>	Black, PA#66
<b>Bottom (Waterproof)</b>	Black, PBT+15%GF (IP67)