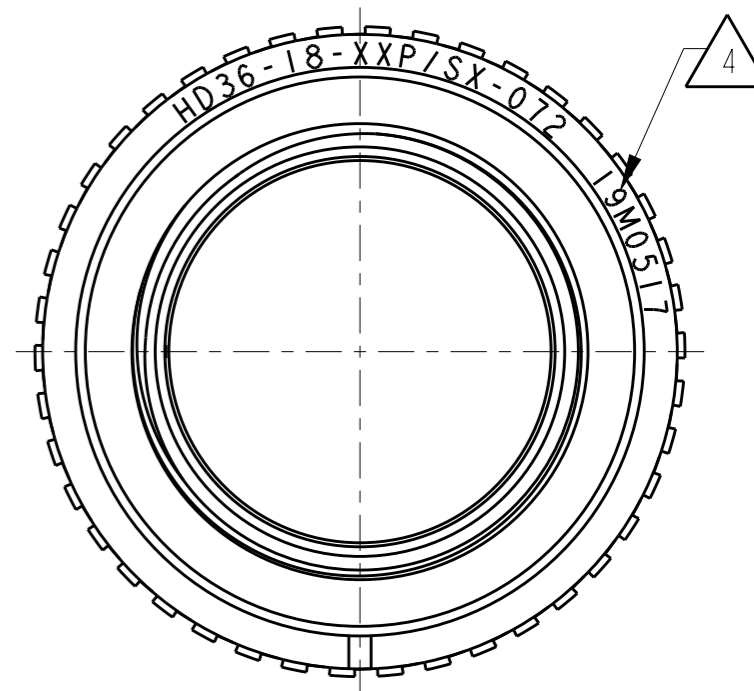
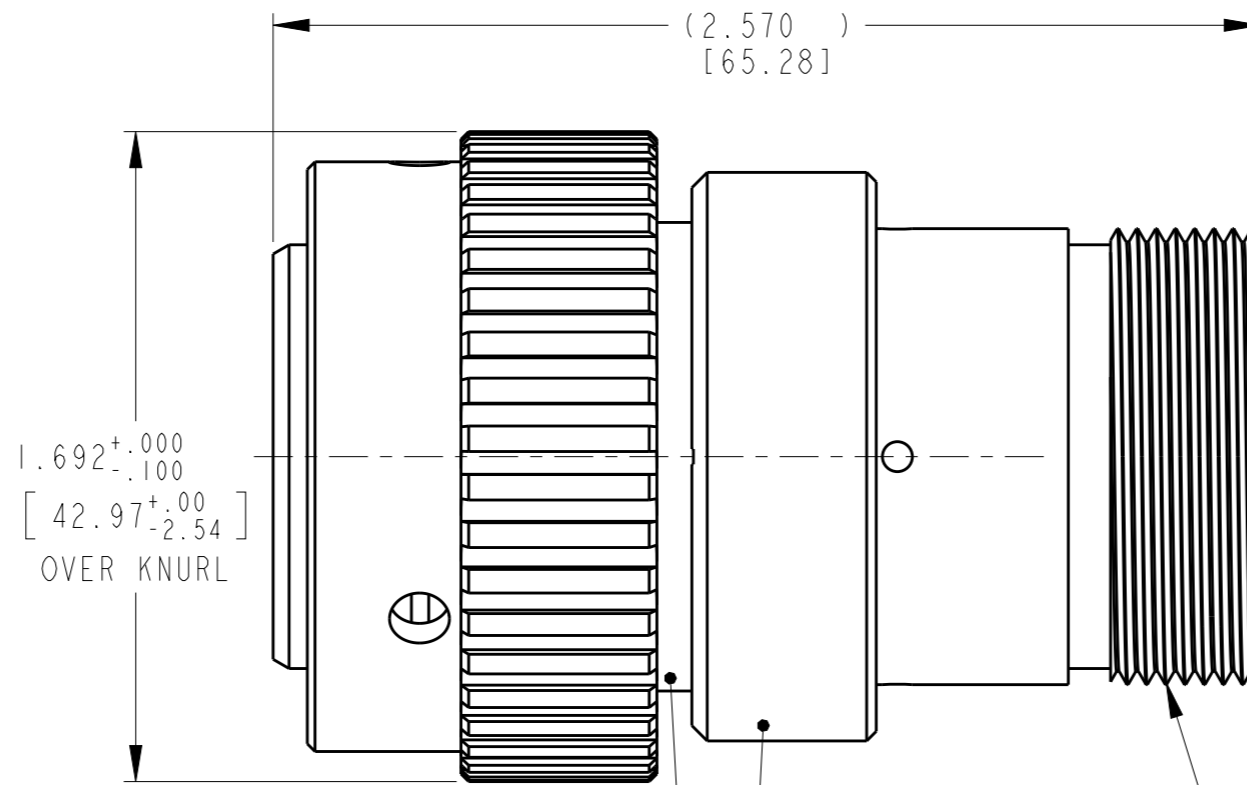
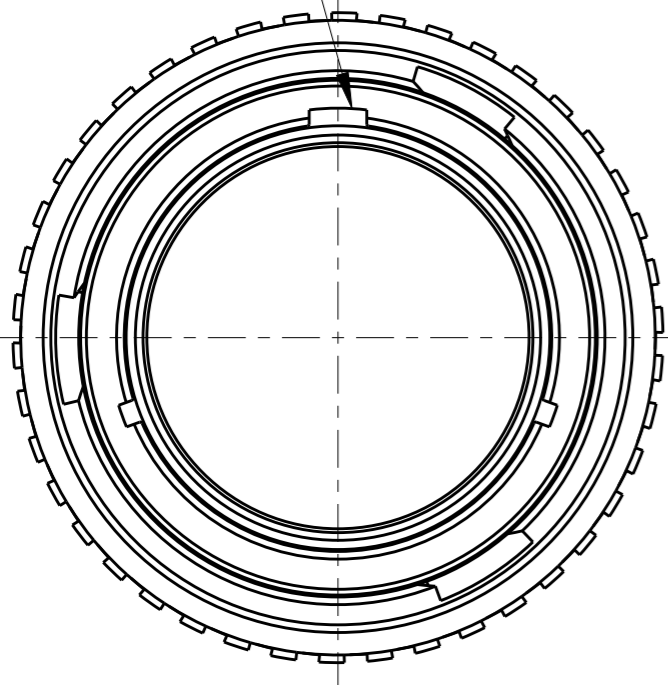


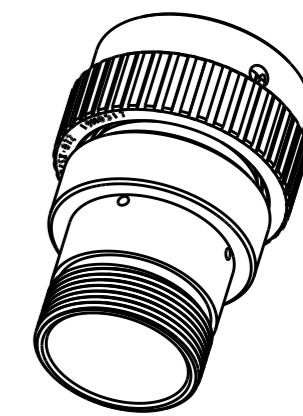
LOC	DIST	P	LTR	DESCRIPTION	DATE	DWN	APVD
-	-		A	REVISED PER E.O. P21009	19JUL2011	-	RDR
			A1	REVISED PER ECO-15-001798	19MAR2015	VNB	DM
			A2	REVISED PER PCN :E-17-011464	18AUG2017	DD	DM
			A3	REVISED PER PCN E-20-000705	27JAN2020	PK	DM

MAIN POLARIZING KEY



1.1875-18UNEF-2A

ADAPTER 3  
 PLUG HOUSING 3



3D VIEW

4 DATE CODE: IDENTIFIES THE YEAR, MONTH, DAY AND HOUR OF ASSEMBLY.  
 YEAR: FIRST AND SECOND DIGITS. (14=2014)  
 MONTH: THIRD DIGIT, EXCLUDING 1.A=JAN., B=FEB., C=MARCH... (K=OCT.)  
 DAY: FOURTH AND FIFTH DIGITS (14=14th DAY)  
 HOUR: SIXTH AND SEVENTH DIGITS (11=11AM)

3 MATERIAL:  
 PLUG HOUSING: 6061-T6 ALUMINIUM ALLOY,  
 RETAINER RING: PA66 GF10,  
 GROMMET: SILICONE VMQ (RED),  
 ADAPTER: 6061-T6 ALUMINIUM ALLOY

2. THE CONNECTOR MATES WITH HD34-18-XXS/PX-XXXX  
 X = SEAL DESIGNATION, XX = NUMBER OF CAVITIES,  
 XXXX = MODIFICATION DESIGNATION.

1. FOR ARRANGEMENT OF CONTACT LOCATION SEE ENVELOPE  
 DRAWING 0425-013-1800

NOTES:

THIS DRAWING IS A CONTROLLED DOCUMENT.		DWN 04SEP2008 I. GRANTCHAROVA	TE Connectivity	
DIMENSIONS: INCHES [mm]		CHK 14JUL2011 B. BAYFORD		
TOLERANCES UNLESS OTHERWISE SPECIFIED:		APVD 12JUL2011 S. BEARD	NAME PLUG CONNECTOR SHELL SIZE 18 BAYONET COUPLING-072 MOD. HD30 SERIES	
0 PLC ±- 1 PLC ±- 2 PLC ±- 3 PLC ±.010 [±.254] 4 PLC ±- ANGLES ±0°30'0"		PRODUCT SPEC 108-151014	SIZE A3	CAGE CODE -
MATERIAL 3		APPLICATION SPEC 114-151014	DRAWING NO G=HD36-18-XXP/SX-072	RESTRICTED TO -
FINISH -		WEIGHT 78g	SCALE NONE	SHEET 1 OF 1
		Customer Drawing	REV A3	