

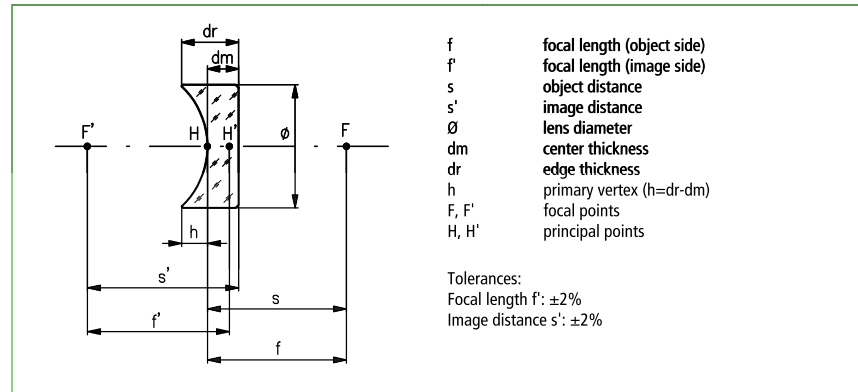
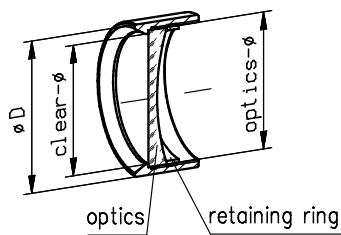


### Plankonkavlinen, gefasst (N-BK 7)

- In Fassungen kompatibel zur Mikrobank ☒ oder Nanobank ☒
- Unbeschichtet
- Toleranzen: Brennweite  $f'$ :  $\pm 2\%$ , Bildentfernung  $s'$ :  $\pm 2\%$

### Plano-Concave Lenses, Mounted (N-BK7)

- Mounted lenses fit to Microbench ☒ or Nanobench ☒
- Surfaces uncoated
- Tolerances: Focal length  $f'$ :  $\pm 2\%$ , Image distance  $s'$ :  $\pm 2\%$



### Plankonkavlinen, gefasst (N-BK 7) Plano-concave lenses, mounted (N-BK7)

Fassung	Brennweite (mm)	Optik- $\varnothing$ (mm)	Außen- $\varnothing$ D (mm)	Freier- $\varnothing$ (mm)	dm (mm)	dr (mm)	$s'_{588\text{ nm}}$ (mm)	$f'_{546\text{ nm}}$ (mm)	$C^*$	Part No.
Mount	Focal length (mm)	$\varnothing$ optics (mm)	Outer- $\varnothing$ D (mm)	Clear $\varnothing$ (mm)	dm (mm)	dr (mm)	$s'_{588\text{ nm}}$ (mm)	$f'_{546\text{ nm}}$ (mm)	$C^*$	Part No.
☒	-3	3	16	2.5	0.5	1.66	-3.33	-2.99	2	G052301000
☒	-6	6	16	5	0.5	2.82	-6.33	-5.98	5	G052302000
☒	-10	6	16	5	1	2	-10.36	-9.66	5	G052303000
☒	-10	10	16	9	1	4.86	-10.66	-9.96	9	G052305000
☒	-16	10	16	9	1.5	3.1	-17.39	-16.34	9	G052306000
☒	-30	12.7	16	11.5	1.5	2.9	-31	-29.9	9	G052307000
☒	-50	12.7	16	11.5	1.5	2.3	-51.38	-50.2	9	G052308000
☒	-100	12.7	16	11.5	1.5	1.9	-100.09	-98.73	9	G052309000
☒	-200	12.7	16	11.5	1.5	1.7	-200.15	-198.41	9	G052310000
☒	-500	12.7	16	11.5	1.5	1.6	-504.88	-502	9	G052311000
☒	-40	22.4	25	21.4	1.5	4.8	-41.3	-40.16	13	G063070000
☒	-50	22.4	25	21.4	1.5	4	-51.38	-50.2	13	G063071000
☒	-100	22.4	25	21.4	1.5	2.7	-102.25	-100.88	13	G063072000
☒	-50	25.4	30	24	1.5	4.8	-51.38	-50.2	13	G063871000
☒	-100	25.4	30	24	1.5	3.1	-100.09	-98.73	13	G063872000
☒	-500	25.4	30	24	1.5	1.8	-504.86	-502	13	G063874000

$C^*$  Eine Tabelle mit weiteren Spezifikationen finden Sie zu Beginn dieses Kapitels.  
Please find more specifications in the table at the beginning of this chapter.