

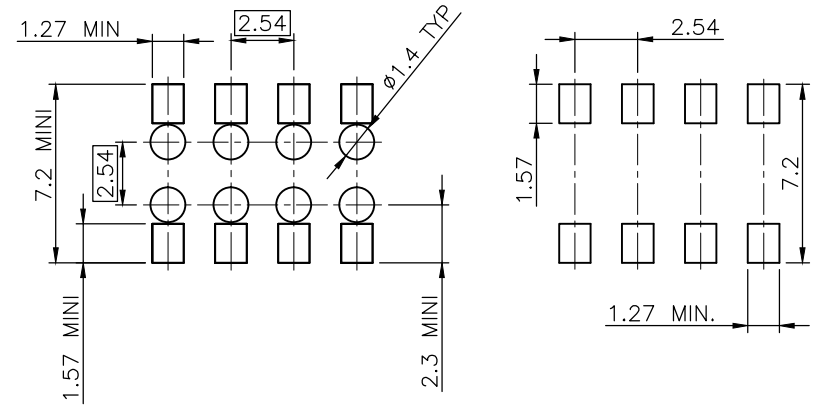
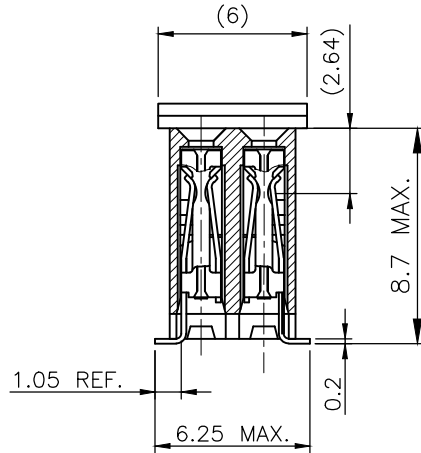
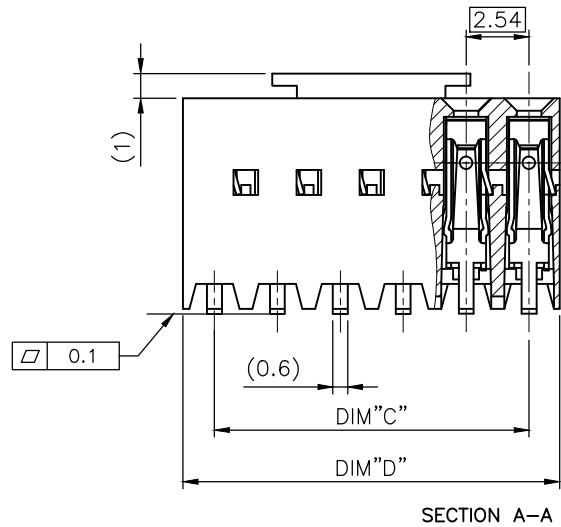
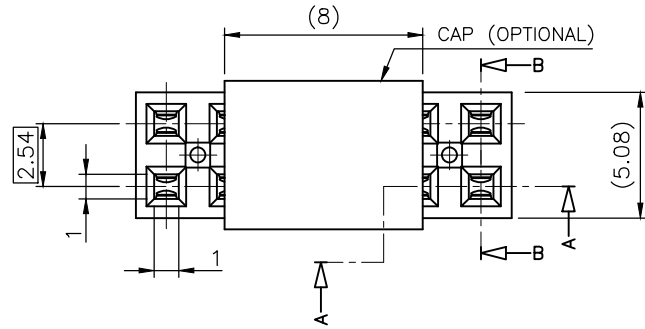
| PRODUCT NB | DIM"C" | DIM"D" | CAP | TAPE | TUBE | AVAILABILITY |
|--------------|-------------------|--------|-----|------|------|-------------------|
| 95290-YXXLF | SEE SHEET 213 2/2 | | NO | NO | YES | SEE SHEET 213 2/2 |
| 95290-YXXALF | | | YES | YES | NO | SEE SHEET 213 2/2 |
| 95290-YXXBLF | | | YES | NO | YES | SEE SHEET 213 2/2 |
| 95290-YXXKLF | | | NO | YES | NO | SEE SHEET 213 2/2 |

PRODUCT NUMBER

95290-YXXZLF

PLATING CODE
SEE TABLE

RoHS COMPATIBLE, SEE NOTE 7 SHEET 2
OPTION LETTER (SEE TABLE & SHEET 2)
NUMBER OF POSITIONS, SHEET 2



NOTES:

- 1 - MATERIAL HOUSING: PCT HIGH TEMPERATURE, 30% GLASS FILLED COLOUR GREY, FLAME RETARDANT, PER UL-94-V0.
- 2 - MATERIAL TERMINAL: PHOSPHOR BRONZE EXTRA HARD

| | | |
|----------------|----------------------------------|-------------|
| 95290-4XX(Z)LF | 5µm Sn | Sn |
| 95290-3XX(Z)LF | 0.76µm GOLD | Sn |
| PLATING CODE | CONTACT AREA | SOLDER TAIL |
| | PLATING THICKNESS OVER 1.27µm Ni | |

| mat'l. code | | surface | | tolerance | | projection | | product family | |
|-------------|----------|----------|----------|---------------------------------------|-----------|------------|-----------|--------------------|-------------------|
| SEE NOTES | | ISO 1302 | ISO 406 | ISO 1101 | mm | | DX VCC DR | | |
| ltr | ecn no | dr | date | tolerances unless otherwise specified | | mm | | title | |
| R | B-19923 | BVE | 15.01.08 | angles | linear | mm | | BtB RECEPT. | |
| K | F07-027 | LMU | 07.12.06 | ±2° | | scale 1/5 | | VERT DR SMT 8.5 mm | |
| L | F09-0230 | JCO | 09.12.09 | dr | D.LEGRAND | 97.01.13 | dwg no | | sheet 1 of 2 size |
| M | B-19123 | LMU | 14.10.21 | enr | P.NIZZI | 97.01.13 | 95290 | | A3 |
| N | B-19232 | LMU | 14.10.28 | chr | D.LEGRAND | 97.01.13 | type | | CUSTOMER Drawing |
| P | B-19535 | BVE | 14.11.24 | appd | PNZ | 97.01.13 | | | |
| sheet | revision | R | J | | | | | | |
| index | sheet | 1 | 2 | | | | | | |

| PRODUCT NUMBER | NUMBER OF POS. | DIM"C" | DIM"D" |
|----------------|----------------|--------|--------|
| 95290-Y03(Z)LF | 2 x 03 | 5.08 | 7.54 |
| 95290-Y04(Z)LF | 2 x 04 | 7.62 | 10.08 |
| 95290-Y05(Z)LF | 2 x 05 | 10.16 | 12.62 |
| 95290-Y06(Z)LF | 2 x 06 | 12.70 | 15.16 |
| 95290-Y22(B)LF | 2 x 22 | 53.34 | 55.80 |

- 6 - OTHERS POSITIONS, ON SPECIAL REQUEST.
- 7 - RoHS COMPATIBLE PRODUCT SPECIFICATIONS
 - a - PLATING:
 - "LF" MEANS THE PRODUCT IS LEAD-FREE, 2µm MINIMUM MATTE TIN OVER 1.27µm MINIMUM NICKEL UNDERPLATE.
 - b - MANUFACTURING PROCESS COMPATIBILITY
 - THE HOUSING WILL WITHSTAND EXPOSURE TO 260°C PEAK TEMPERATURE FOR 30 SECONDS MAX IN A CONVECTION, INFRA-RED OR VAPOR PHASE OR REFLOW OVEN.
 - c - LABELING:
 - MEETS PACKAGING SPECS AS PER GS-14-920
 - d - LEGAL STATEMENT: SEE GS-47-0004

| | | | | | | | | | |
|-------------|----------------|------------|----------|---------------------------------------|-----------|------------|--------------|--------------------|------------------|
| mat'l. code | | surface | | tolerance | | projection | | product family | |
| SEE NOTES | | ISO 1302 ✓ | | ISO 406 ISO 1101 | | | | DX VCC DR | |
| ltr | ecn no | dr | date | tolerances unless otherwise specified | | | | title | |
| E | F04-037 | DLE | 04.11.16 | angles | linear | mm | | BtB RECEIPT. | |
| F | F06-0204 | DLE | 06.06.28 | σ±x | ±xx | scale 1/5 | | VERT DR SMT 8.5 mm | |
| G | B-19123 | LMU | 14.10.21 | σ±x | ±xxx | | | dwg no | |
| H | B-19535 | BVE | 14.11.24 | dr | D.LEGRAND | 97.01.13 | sheet 2 of 2 | | size |
| J | B-19923 | BVE | 15.01.08 | enr | P.NIZZI | 97.01.13 | 95290 | | A3 |
| | | | | chr | P.NIZZI | 97.01.13 | type | | CUSTOMER Drawing |
| | | | | appd | P.NZ | 97.01.13 | | | |
| sheet index | revision sheet | | | | | | | | |