

4

3

2

1

D

D

C

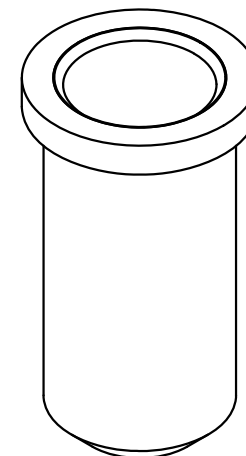
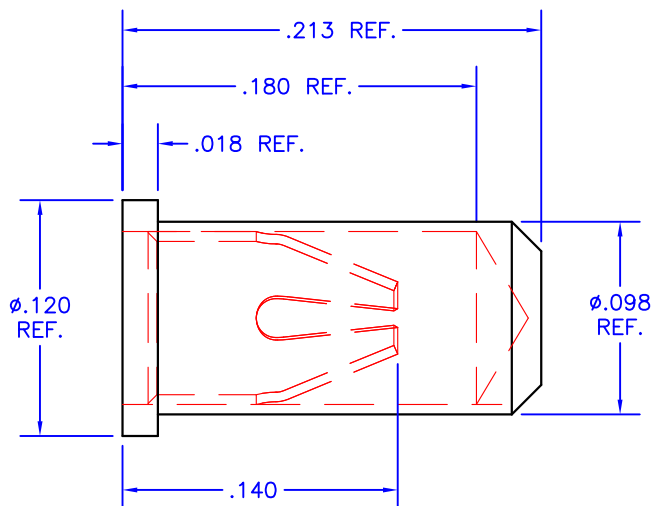
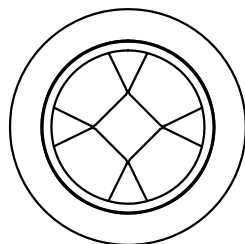
C

B

B

A

A

**NOTES:**

1. Unless otherwise noted, dimensions are in inches.
2. Shell: 360 brass, half-hard, with 10 μ m gold over nickel
3. Contacts: Beryllium copper with 30 μ m gold over nickel
4. Current rating: 11.2 amps, for 10°C temperature rise.
5. Solder mount in minimum .100 diameter mounting hole.
6. Mill-Max Part No. 0364-0-15-15-13-27-10-0

TOLERANCES - UNLESS OTHERWISE SPECIFIED

.XX = ± 0.01 [.254].XXX = ± 0.005 [.127]ANG. = $\pm 5^\circ$ 

TITLE: PIN RECEPTACLE .048-.064 DIA.

MODEL:

MS04

SUBJECT:

MECHANICAL DRAWING

ENGINEER: D-M

DRAWN BY: R.MOR

DCAL: 13243

SHL 1 OF 1

FILENAME: MS04

REV: D

DATE: 03JUN13

4

3

2

1