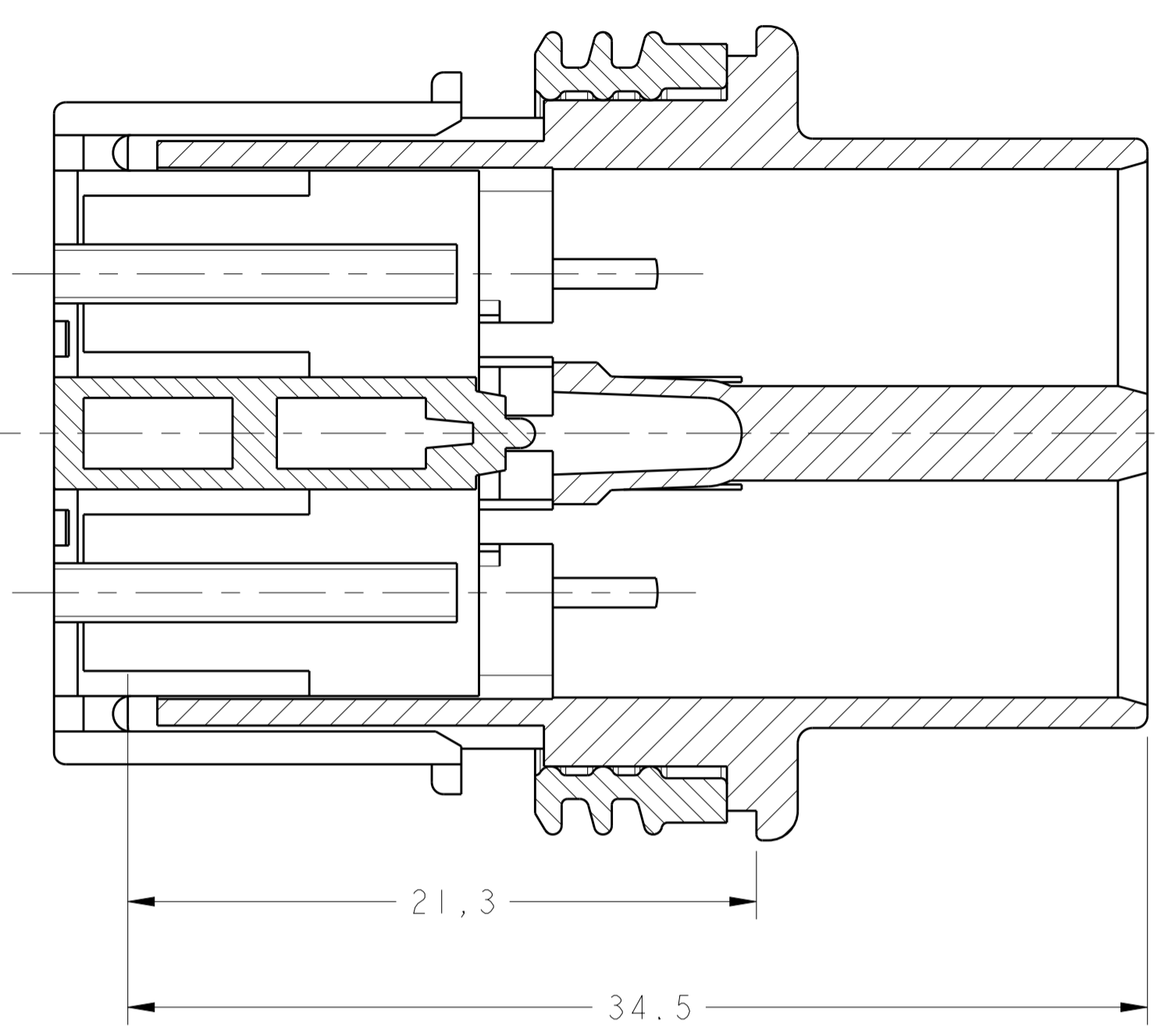
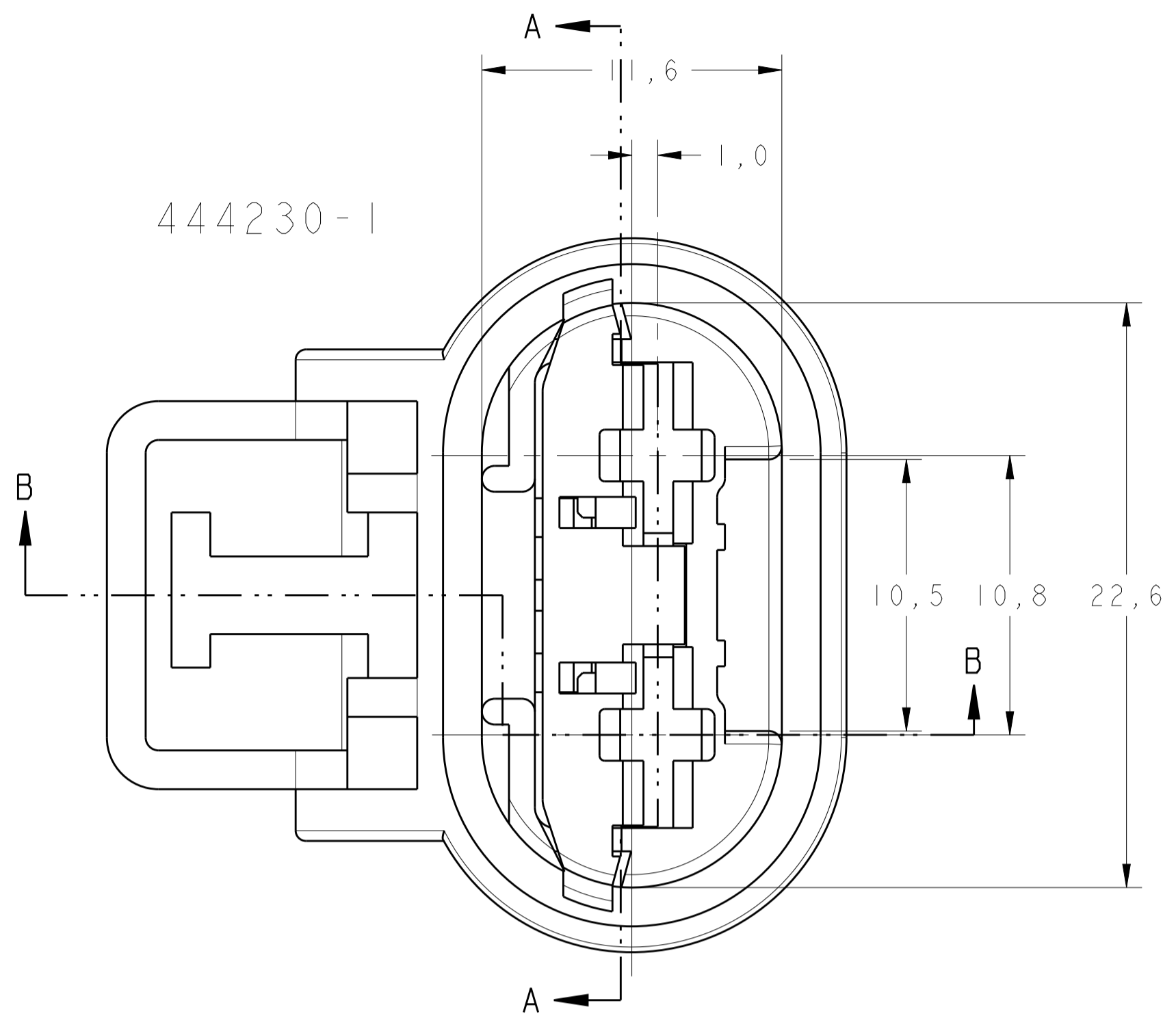
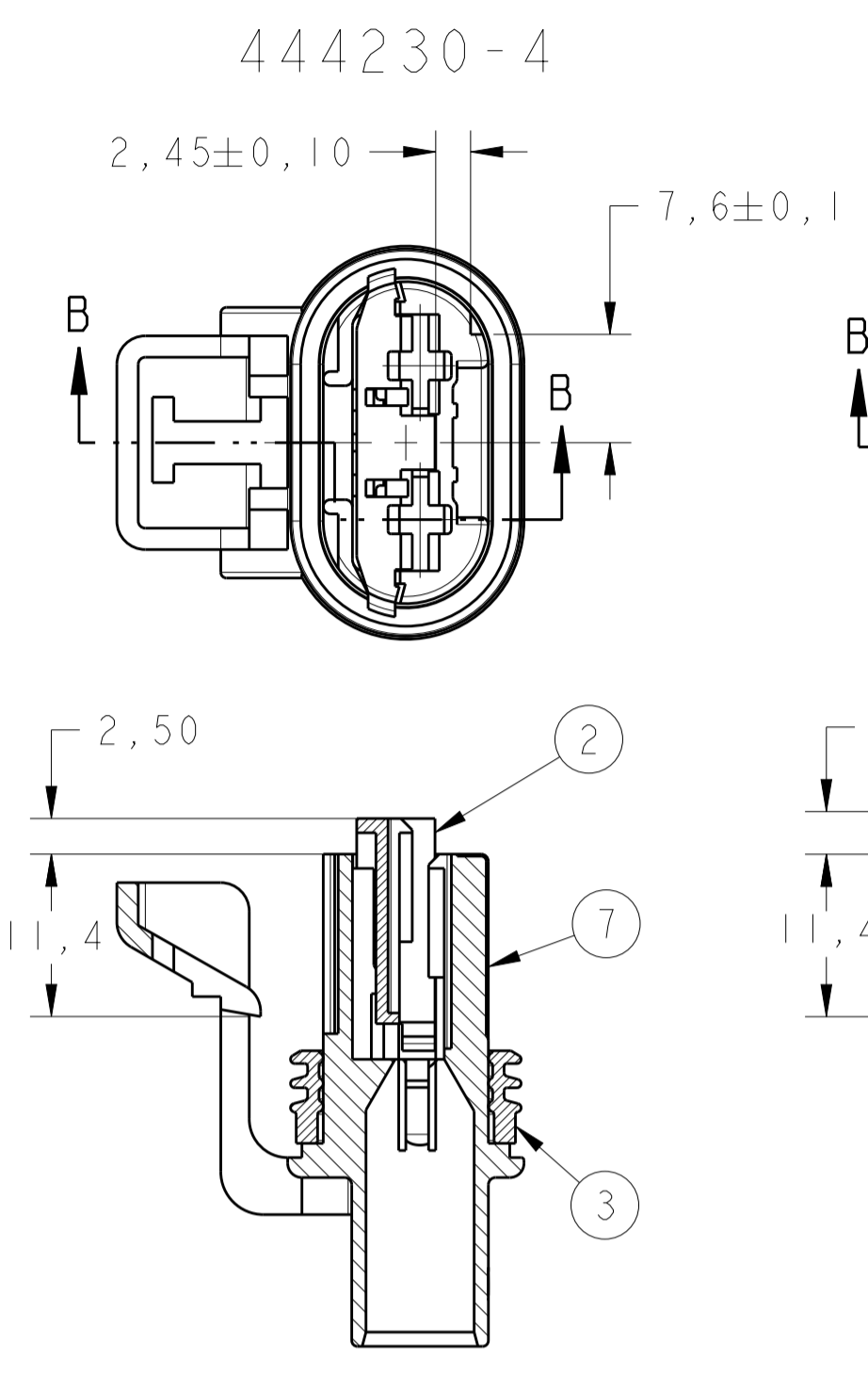


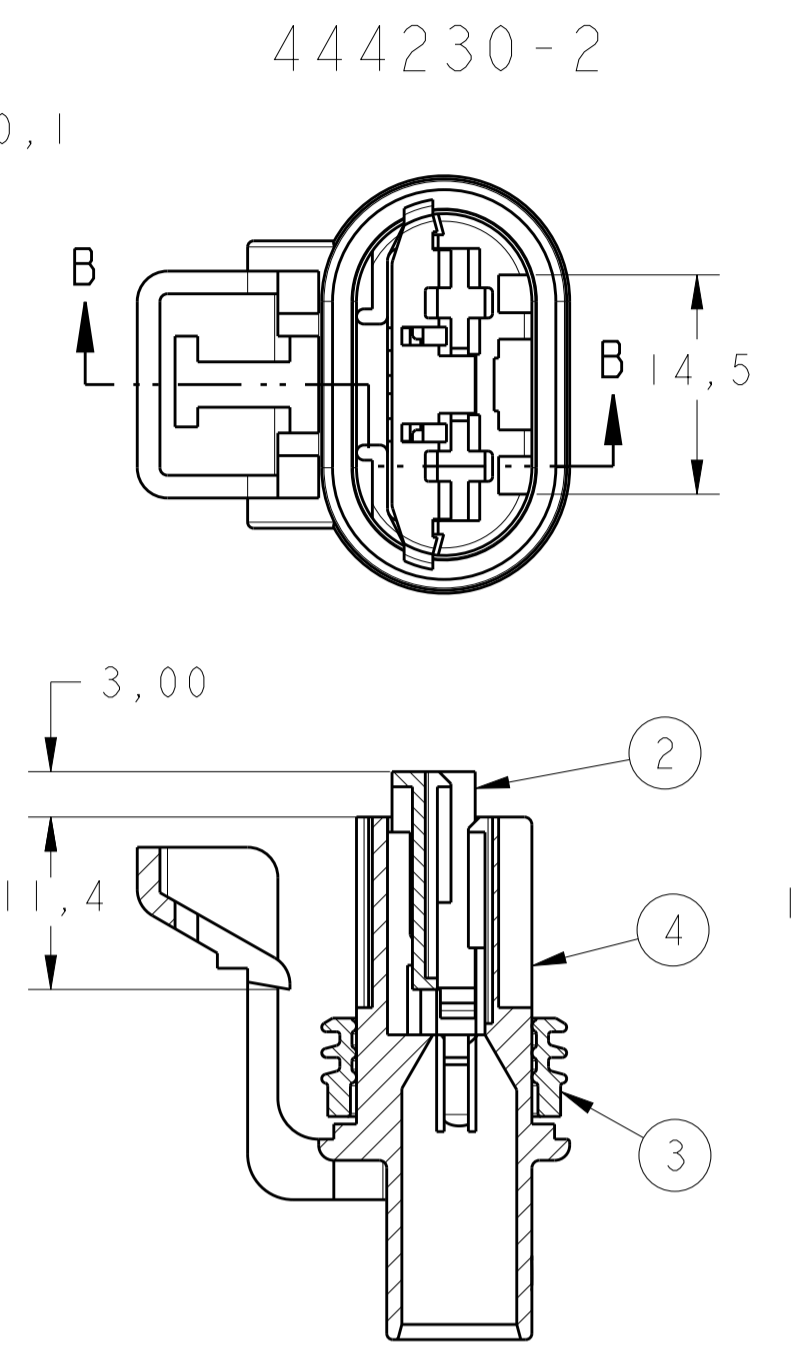
REVISIONS				
P.	LTH	DESCRIPTION	DATE	DWN APVD
G1		REVISED BY ECO-06-005945	04APR2006	NCL PLF
G2		REVISED DRAWING ECO-15-011162	03AUG2015	NCL DAO



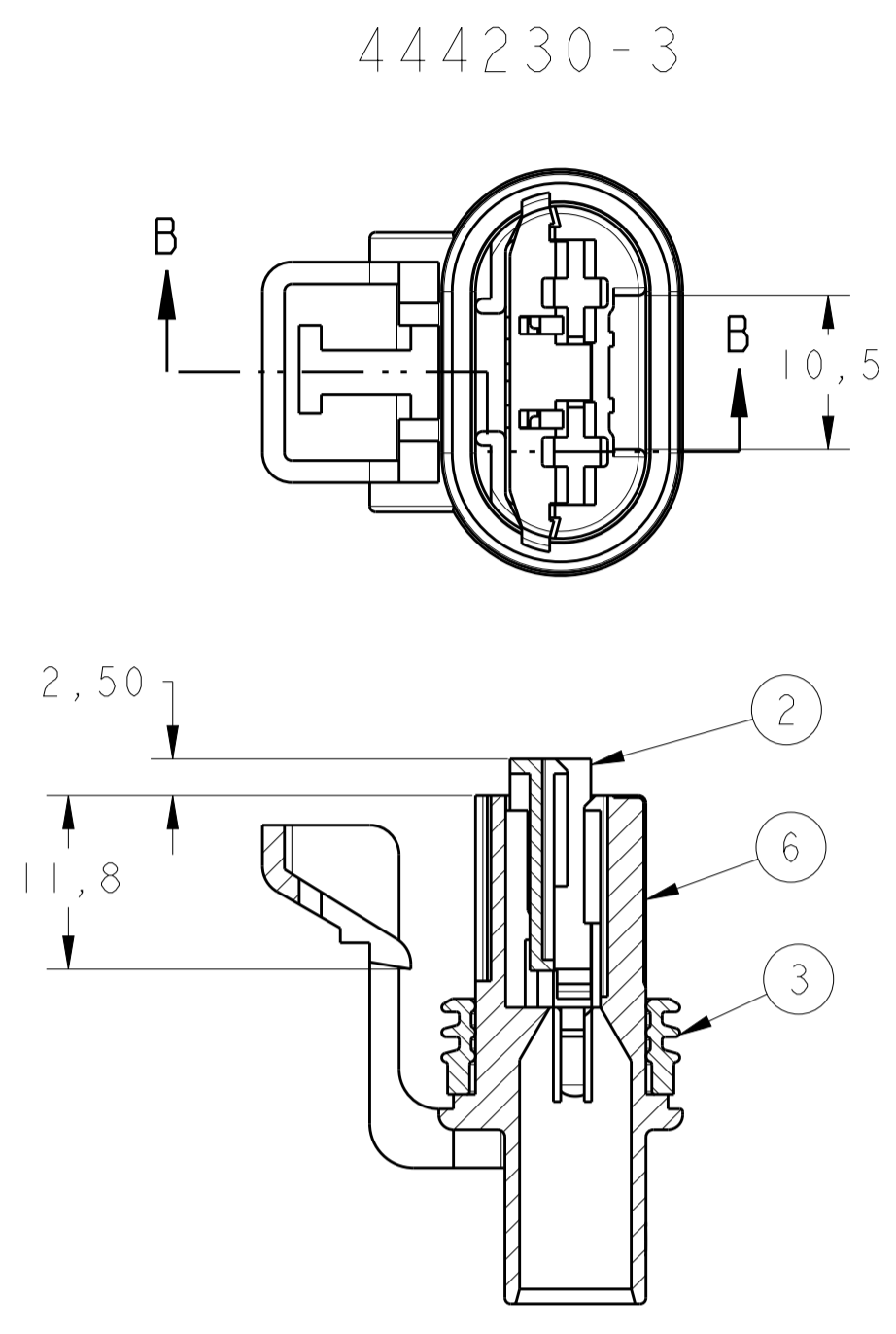
SECTION A-A



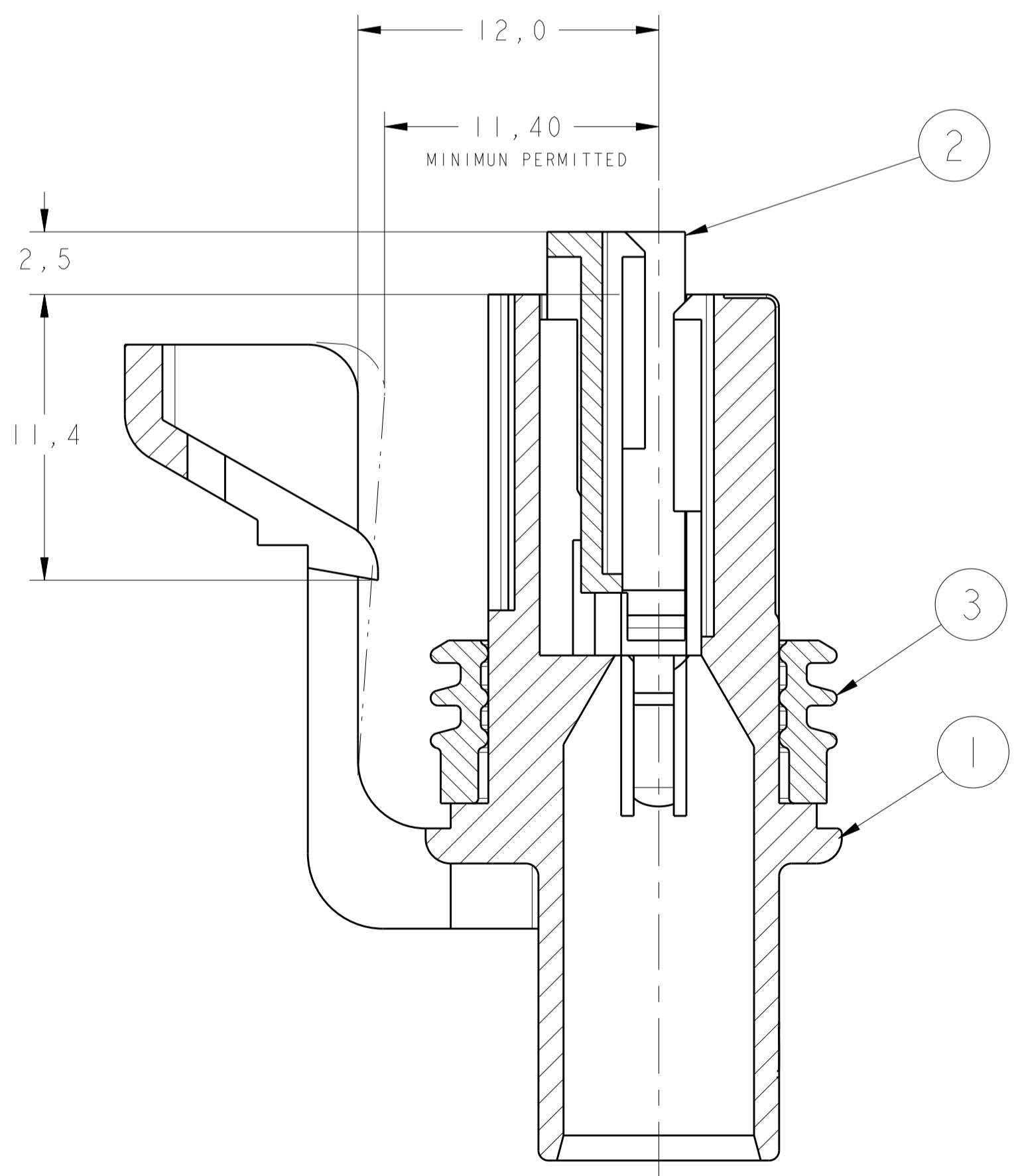
SECTION B-B



SECTION B-B

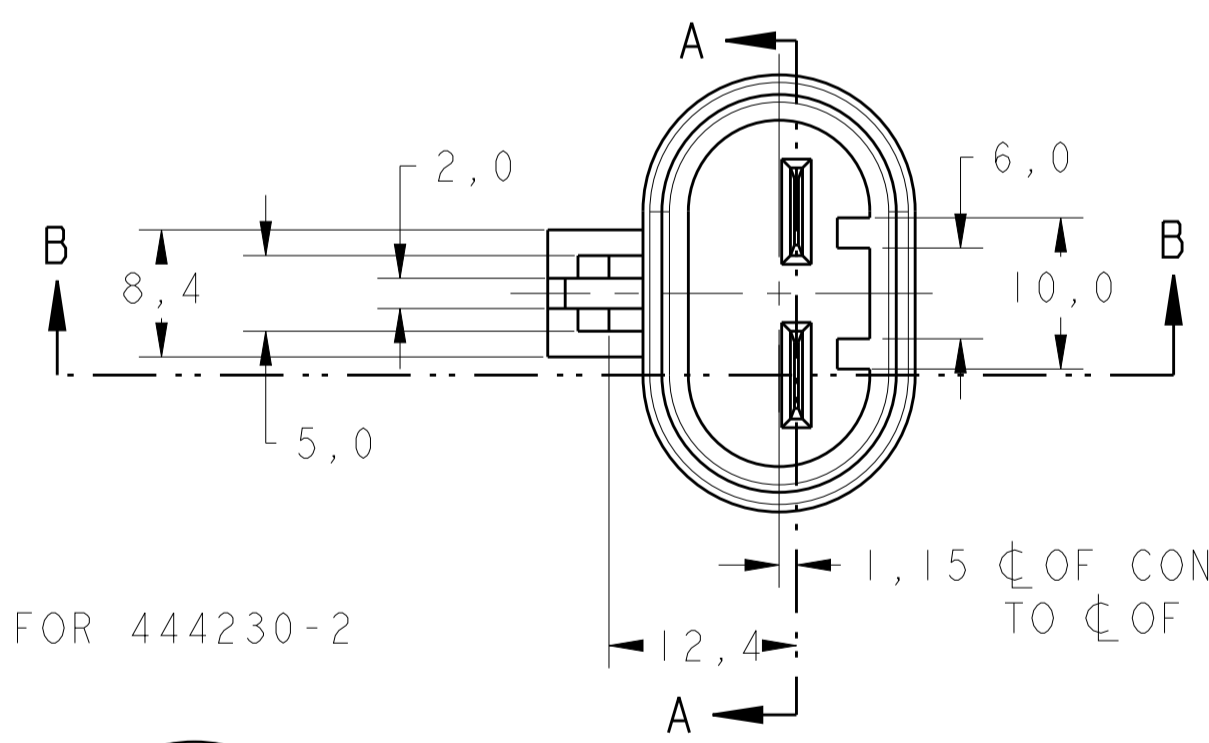


SECTION B-B

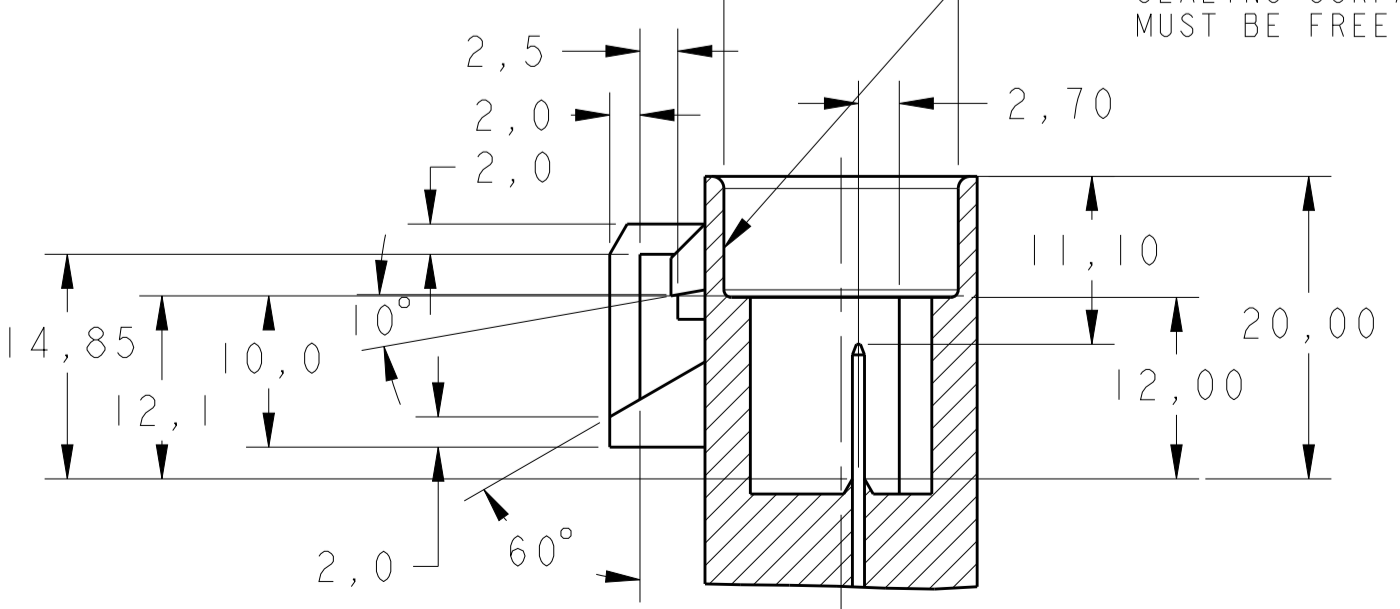
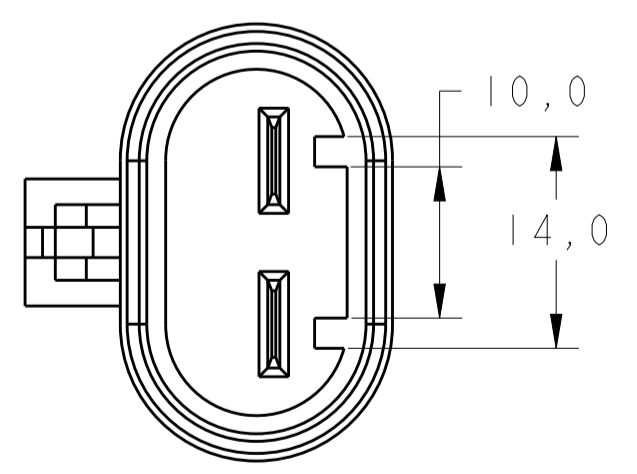


SECTION B-B

FOR 444230-1 AND 444230-3

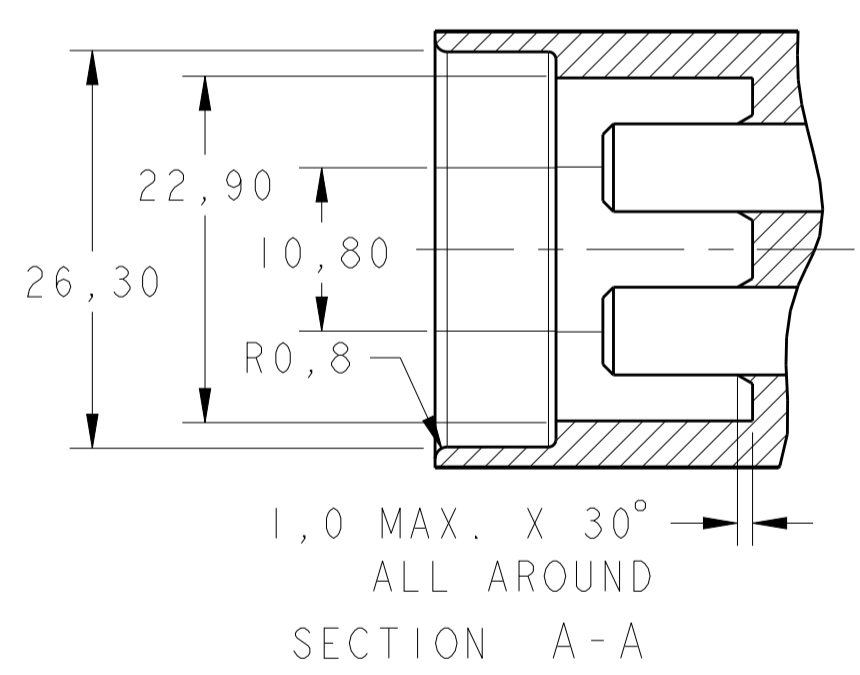


FOR 444230-2

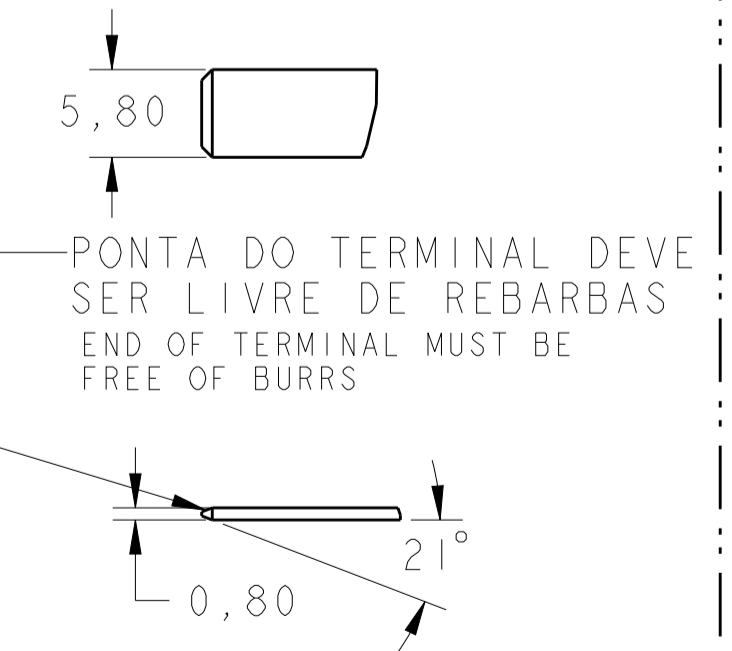


SECTION B-B

INFORMAÇÕES DA CONTRA-PEÇA
 MATING CONNECTOR INFORMATION
 SCALE 2:1



SECTION A-A



PONTA DO TERMINAL DEVE SER LIVRE DE REBARBAS
 END OF TERMINAL MUST BE FREE OF BURRS

INFORMACOES DO TERMINAL
 MATING TERMINAL INFORMATION
 SCALE 2:1

TOLERANCIAS NAO ESPECIFICADAS
 TOLERANCES UNLESS OTHERWISE STATED
 DECIMAL: ONE PLACE: ±0.2
 TWO PLACE: ±0.1
 ANGLES: ±2°

CONECTOR PARA TERMINAIS E SELOS:
 CONNECTOR FOR TERMINALS AND WIRE SEALS

BITOLA WIRE RANGE (mm2)	PN TERMINAL	SELO Nº PN SEAL
0.5-1.0	927836-2	963243-1
>1.0-2.5	927835-2	963244-1
>2.5-4.0	928966-2	963245-1

GRAVAÇÕES MARKINGS	
MARCA REGISTRADA AMP TRADEMARK AMP	
CÓDIGO PAÍS PRODUTOR MANUFACTURER COUNTRY CODE	
NÚMERO DA PEÇA TE PART NUMBER TE	
NÚMERO CAVIDADE CAVITY NUMBER	
IDENTIFICAÇÃO CIRCUITO CIRCUIT IDENTIFICATION	
PAÍS PRODUTOR MANUFACTURER COUNTRY	

ITEM	DESCRIPTION	MATERIAL	FINISH
1	HOUSING, 2P., STD. P. T. RCPT.	PA 6.6	AZUL / BLUE
2	HOUSING, 2P., STD. P. T. RCPT.	PA 6.6	PRETO / BLACK
3	SEAL, 2 POSN.	SILICONE	AZUL / BLUE
4	HOUSING, 2P., STD. P. T. RCPT.	PA 6.6	CINZA / GRAY
5	SEAL, 2 POSN.	SILICONE	VERDE / GREEN
6	SPACER, 2P., STD. P. T. RCPT.	PA 6.6	AMARELO/YELLOW
7	HOUSING, 2P., STD. P. T. RCPT.	PA 6.6	PRETO / BLACK

REQ. PER ASSY: 444230

THIS DRAWING IS A CONTROLLED DOCUMENT.

DIMENSIONS: mm

TOLERANCES UNLESS OTHERWISE SPECIFIED:

0 PLC	±
1 PLC	±0.3
2 PLC	±
3 PLC	±
4 PLC	±
ANGLES	±

MATERIAL: SEE TABLE

FINISH: SEE TABLE

Customer Drawing

SCALE 3:1

SHEET 1 OF 1

REV G2

STE TE Connectivity

NAME: HOUSING, ASSY, 2 POSN., STD. POWER TIMER REC.

SIZE: A1

DATE: 25JAN2005

CHK: P. L. FARIA

APVD: F. G. OLIVEIRA

PRODUCT SPEC: NA

APPLICATION SPEC: NA

WEIGHT: -

Customer Drawing