



Product Change Notification

Date Issued :	March 30, 2022	PCN Number :	511859
Reason for Change :	Retraction		
Description of Change :	This notification is to advise you of a modification to a previously issued PCN. Please refer to the information below for details regarding the amendment.		
Assessment of Change :	No change to parts - Form/Fit/Function		
Planned Implementation Date :	April 06, 2022		
Sample Availability Date:	April 01, 2022		
Internal Molex Qualification Date :	April 04, 2022		
Traceability Code Markings / Date :	No special marking on the product or packaging		

Before Picture

- Mini-Fit Terminals

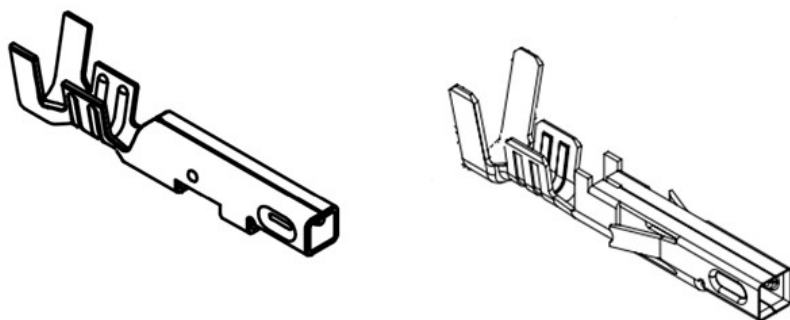


Photo is used as representation of product only.

After Picture

Overview

- This PCN is a Retraction for previously issued PCN 511665 communicated on February 25, 2022 for the following:
 - Molex Lincoln Plant 3104 is adding an additional supplier source for raw material 648930248
 - Additional supplier being added to keep up with current and future demand for product
 - Change only for Molex Lincoln Plant 3104
- The reason for this Retraction is that Molex Lincoln Nebraska is no longer pursuing a second sources supplier the raw material listed. If in the future, it is deemed an additional sources supplier is needed, a PCN will be created at that time.
- Part Numbers Impacted
 - See attached list

RELEASED

You may address inquires regarding this PCN by clicking on the below link
mailto:pcn_coordinator@molex.com?subject=PCN_Notification:511859
or contact your Local Sales Engineer.

Note: While responding, please retain " PCN Notification : **PCN Notification: 511859** " in the e-mail Subject line for faster response.

[Molex, LLC](#)
2222 Wellington Court
Lisle, IL 60532
TEL (800) 786-6539
www.molex.com

PCN No Part List

511859 [0457501111](#)

511859 [0457501112](#)

511859 [0457501211](#)

511859 [0457501212](#)

511859 [0457503111](#)

511859 [0457503112](#)

511859 [0457503211](#)

511859 [0457503212](#)

511859 [0460181541](#)

511859 [0460182541](#)

511859 [0460183541](#)