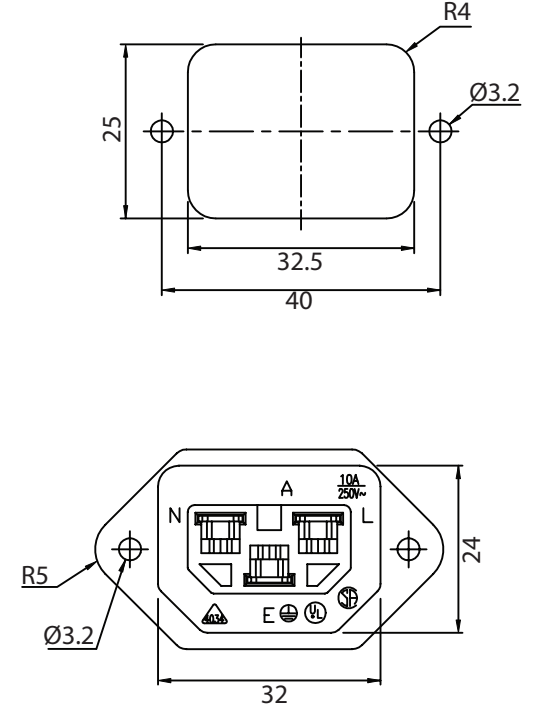
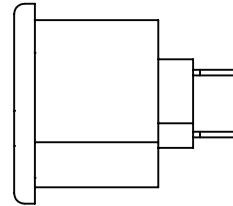
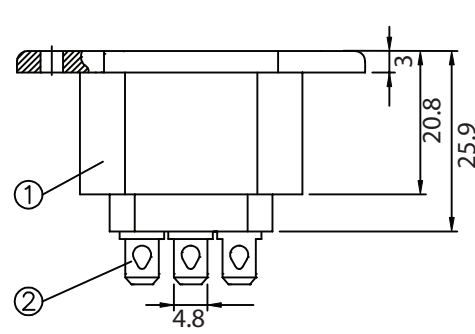
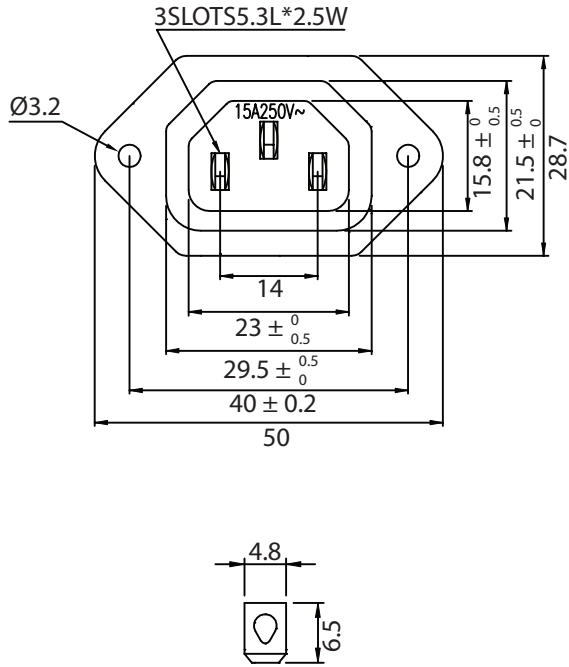


THESE DRAWINGS ARE THE PROPERTY OF QUALTEK ELECTRONICS AND NOT TO BE REPRODUCED FOR OR COMMUNICATED TO A THIRD PARTY WITHOUT THE EXPRESS WRITTEN PERMISSION OF AN OFFICER OF QUALTEK ELECTRONICS.

REVISION			
REV.	DESCRIPTION	DATE	APPROVED
B	RoHS Compliancy	06-01-06	DP



CONTROLLED

NOTES:

RATING:

UL, CSA: 15A 250V AC

VDE: 10A 250V AC

APPROVALS: UL, CSA, VDE

RoHS COMPLIANT

2	Soldering PIN Bronze Strip t=0.8mm Tin-Plated	3	
1	Body Insulator PBTP 420-SEO Black Color	1	
Dim range (mm)	Tolerance +/- (mm)	Qualtek Electronics Corp.	
		PPC DIVISION	
		Part Number: 710W-00/05	RoHS Compliant
		Description: AC RECEPTACLE	
0-1	0.15	UNIT: mm	REV. B
1-6	0.20		
6-18	0.30	Drawn / Date	Checked / Date
18-50	0.50		
50-120	0.70	B.ZHANG 05-20-03	05-20-03
120-250	0.90		
250-500	1.20		