

MODEL:

CS32USB

32-Device USB Charging Station with Syncing



Holds Up to 32 Tablets



2.4A USB Charging per Port



200 lb. Load Rating



Sturdy Steel Construction



Locking Doors & Side Panels



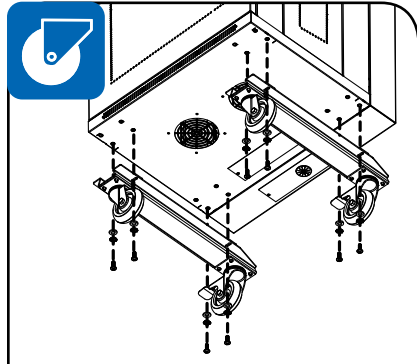
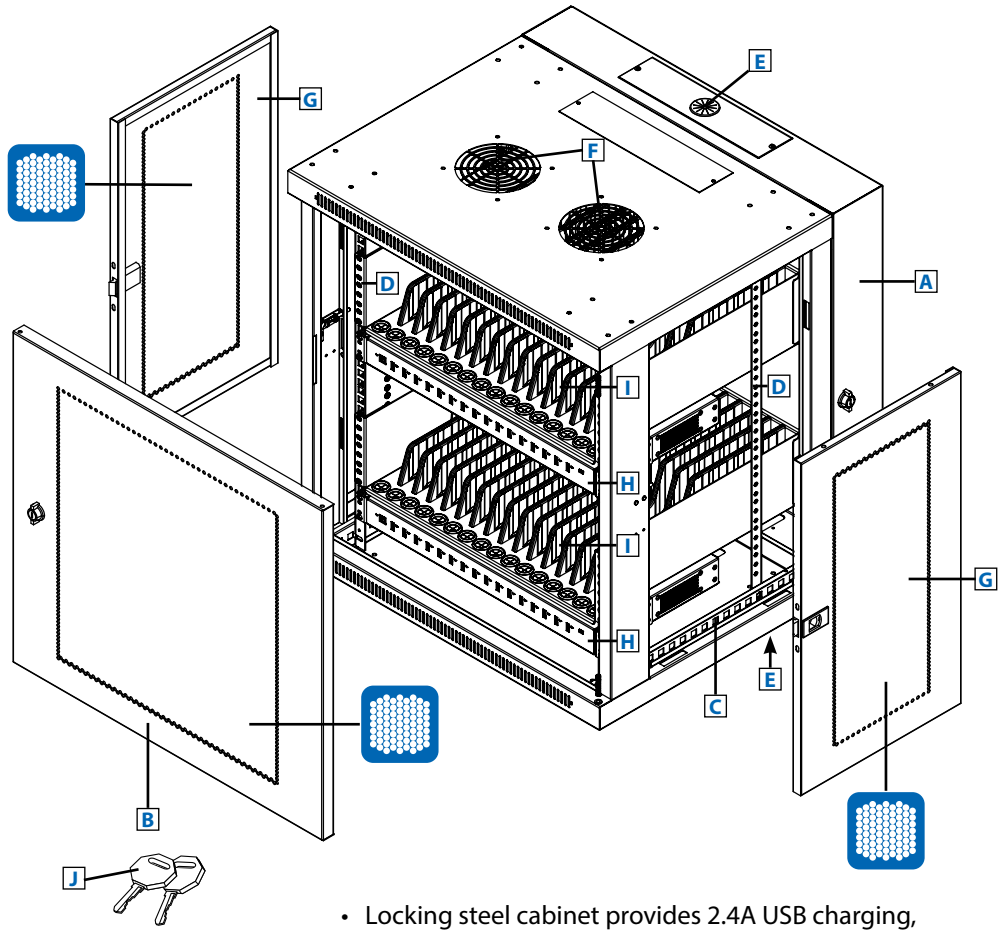
Adjustable Storage Shelf Dividers



Ventilated for Ample Airflow

- A** Locking Rear Door
- B** Locking/Reversible Front Door
- C** Horizontal Rails
- D** Vertical Mounting Rails
- E** Secure Top and Bottom Cable Access Plates
- F** Vents
- G** Locking/Removable Side Panels
- H** 1U Rack-Mountable 16-Outlet USB Charger/Hub
- I** Adjustable 16-tablet Storage Shelf
- J** Keys

Also Includes: Owner's Manual



For applications requiring extra mobility, an optional caster kit (Model: CSHANDLEKIT) contains two swivel/locking casters and two swivel-only casters that attaches to the bottom of a charging station unit.



- Locking steel cabinet provides 2.4A USB charging, syncing, secure storage and cord management for up to 32 tablets and other USB devices
- Supports iPad®, Android™, Surface™ and Kindle tablets
- Adjustable/removable storage shelf dividers accommodate thicker devices
- Door locks with included keys prevent device theft, damage or tampering

SEE NEXT PAGE FOR DETAILED UNIT MEASUREMENTS



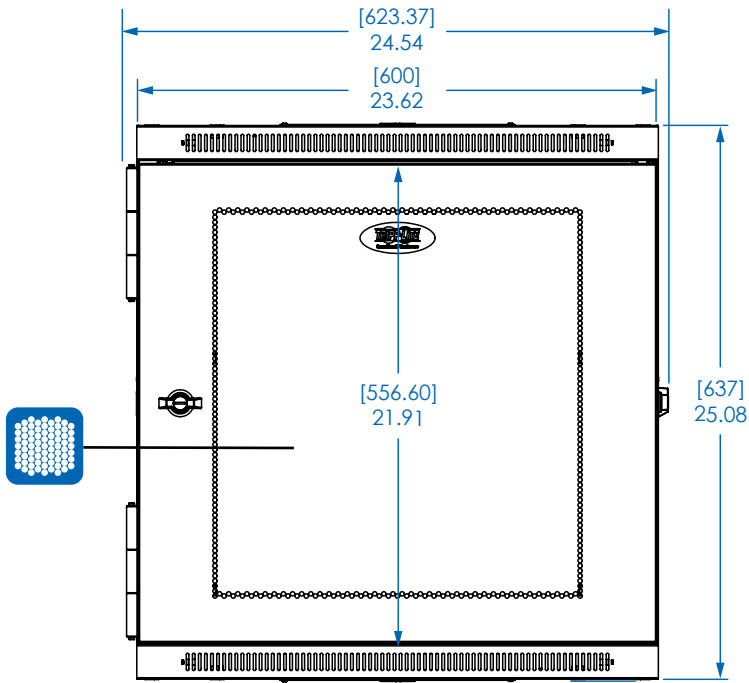
1111 W. 35th Street
Chicago, IL 60609 USA
773.869.1234
www.tripplite.com



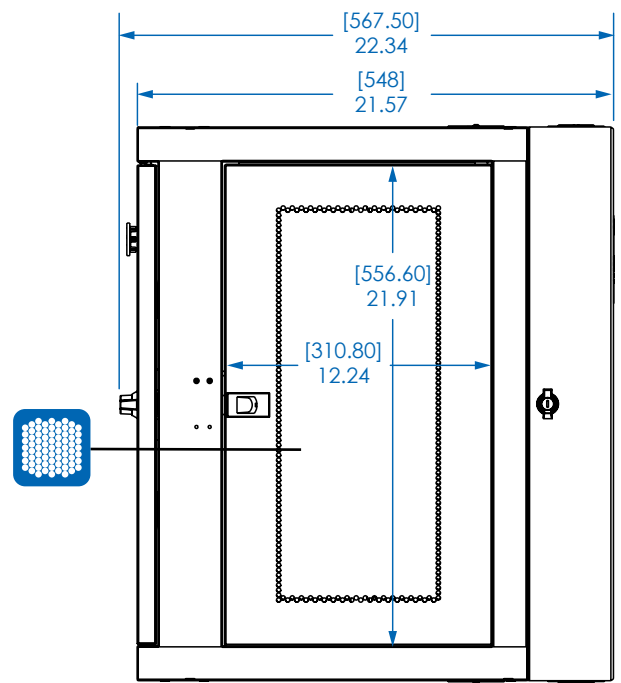
Specifications

Model	CS32USB
Maximum Devices Per Shelf	32
Charger/Hub Ports	32 x USB 2.0 A (Female), 2 x USB 2.0 B (Female) 2 x USB 2.0 mini (Female)
Equipment Mounting Depth	20.5 in. / 521 mm
Load Rating*	200 lbs. / 90 kg
Unit Dimensions (H x W x D)	25.1 x 23.6 x 21.6 in. / 637 x 600 x 548 mm
Unit Weight	96 lb. / 44 kg
Transmission Speed	Up to 480 Mbps
Power Requirement	Input: 100-240V, 2.5A, 50/60 Hz Output: 5.0V, 2.4A Max (per USB port)
Standards	Meets UL 60950, TUV (US and Canada), NOM (Mexico) and RoHS standards

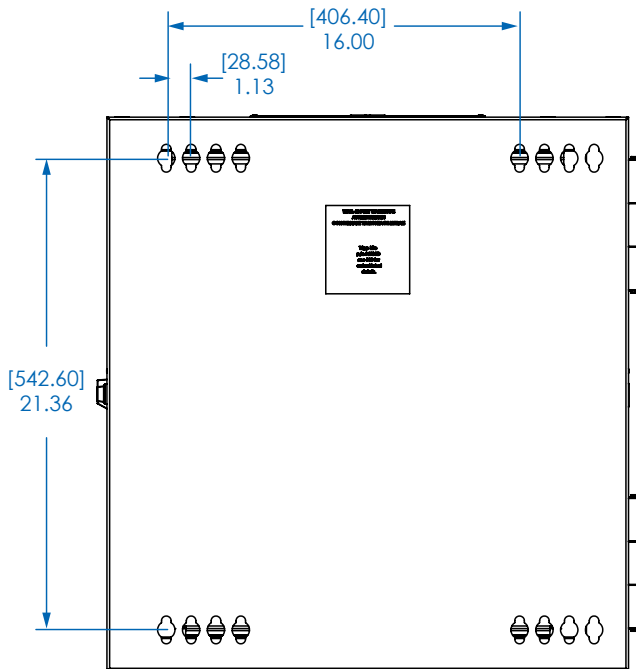
* The load rating includes the combined weight of the unit and installed equipment. The unit must be mounted to a stable surface with user-supplied anchors capable of bearing the full load.



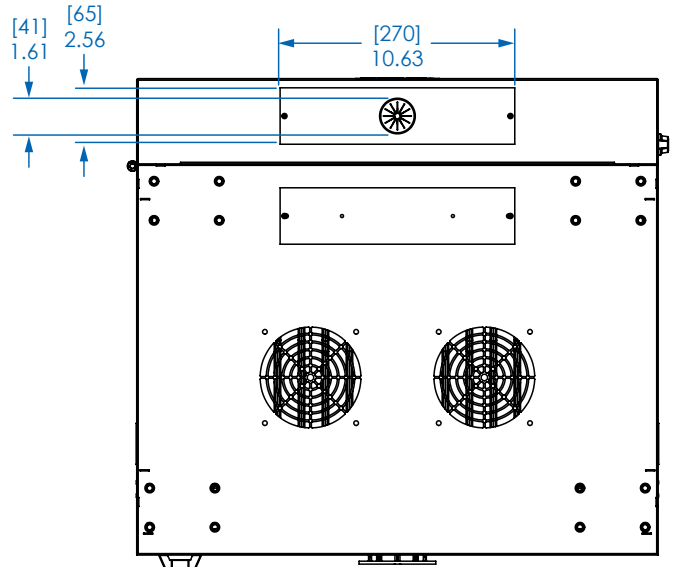
FRONT VIEW



SIDE VIEW



REAR VIEW

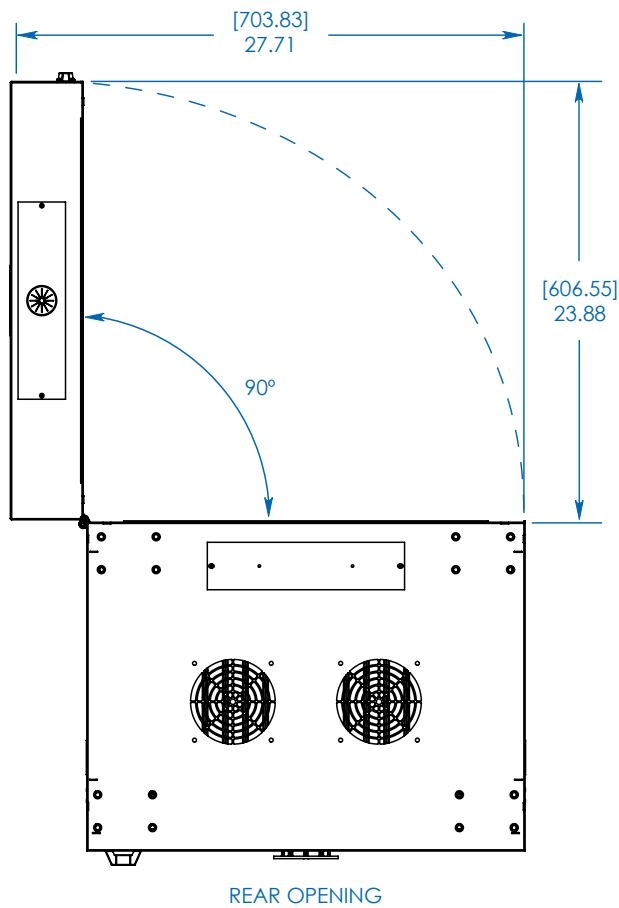
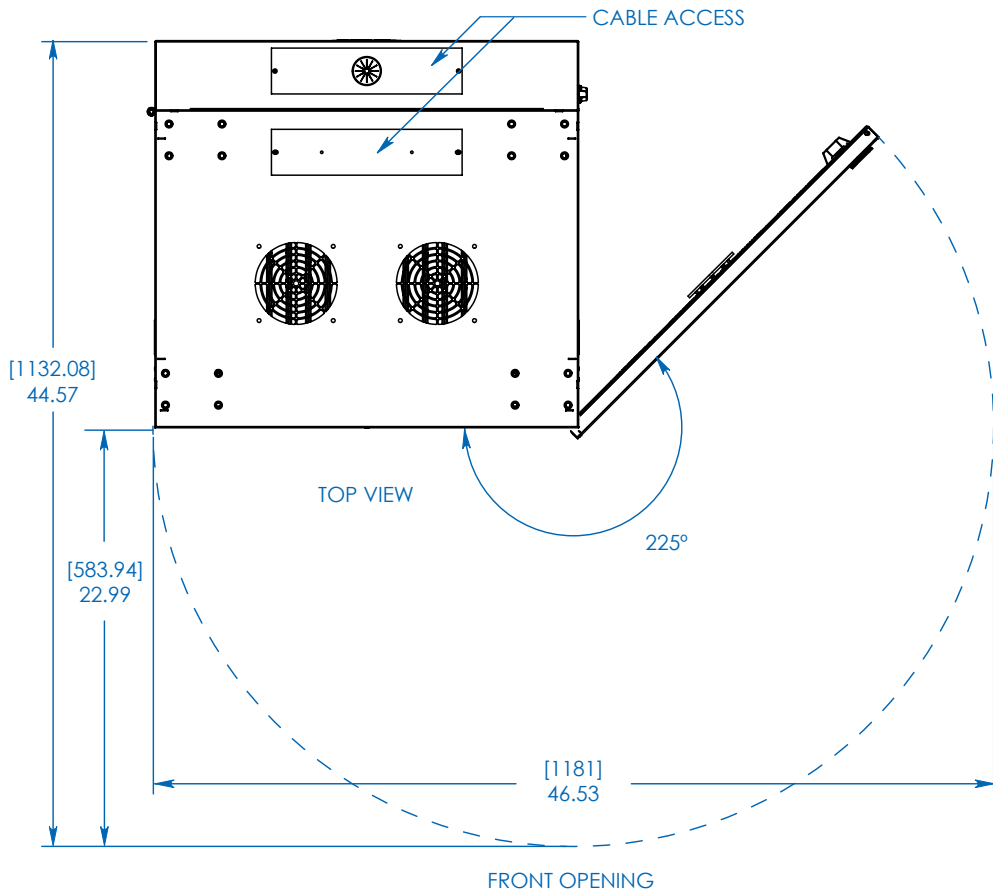


TOP/BOTTOM VIEW

Dimensions: [mm] INCHES

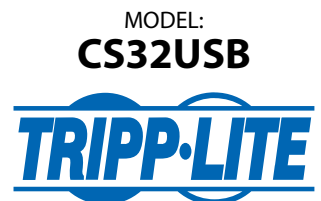
Tripp Lite has a policy of continuous improvement. Specifications are subject to change without notice.

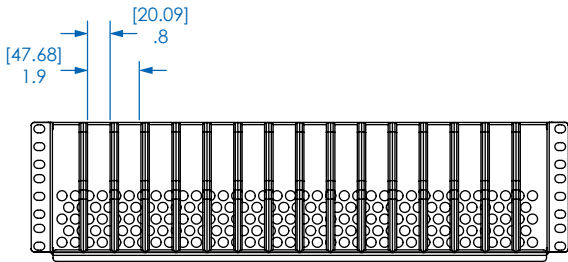
MODEL:
CS32USB
TRIPP-LITE



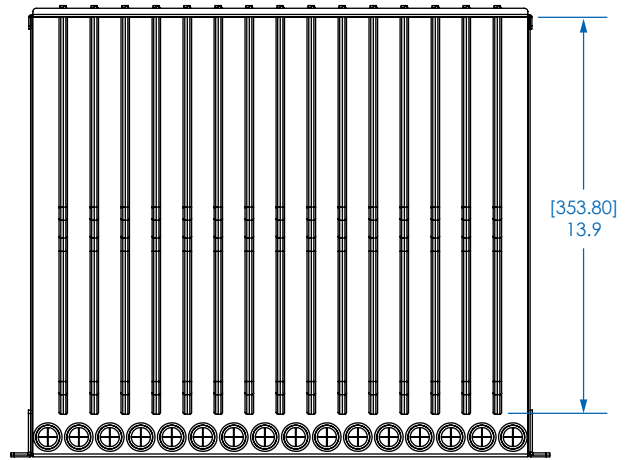
Dimensions: [mm] INCHES

Tripp Lite has a policy of continuous improvement. Specifications are subject to change without notice.

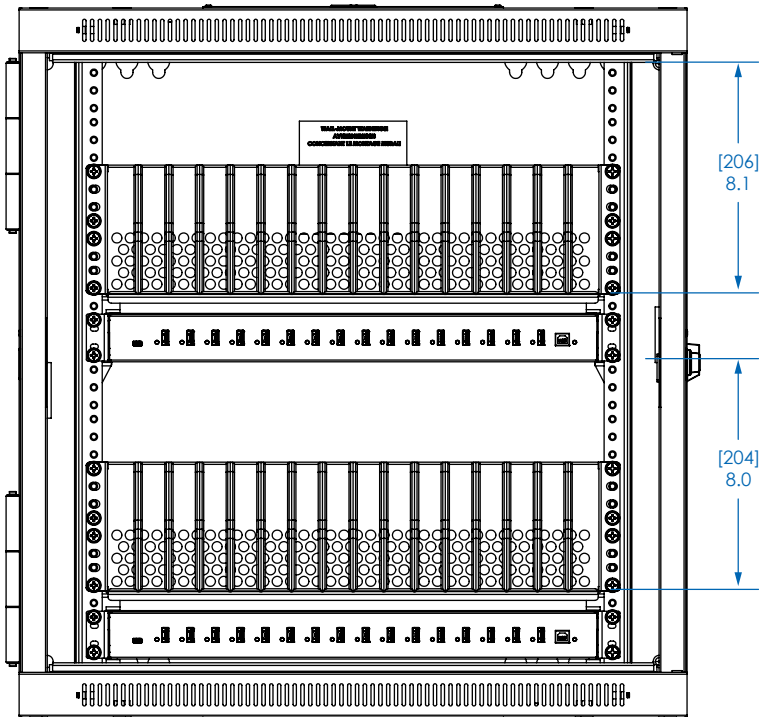




SHELF FRONT VIEW



SHELF TOP VIEW



CABINET FRONT VIEW

Dimensions: [mm] INCHES

Tripp Lite has a policy of continuous improvement. Specifications are subject to change without notice.

MODEL:
CS32USB
TRIPP·LITE

1111 W. 35th Street
 Chicago, IL 60609 USA
 773.869.1234
 www.tripplite.com