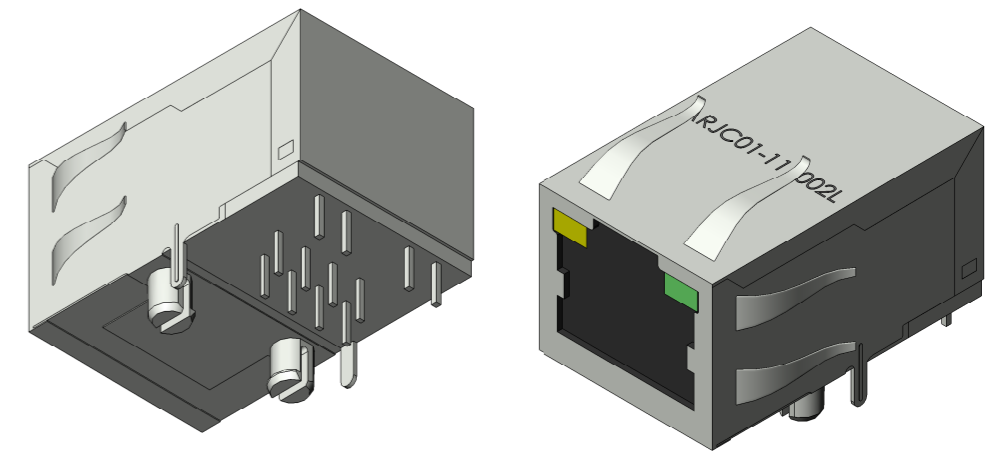
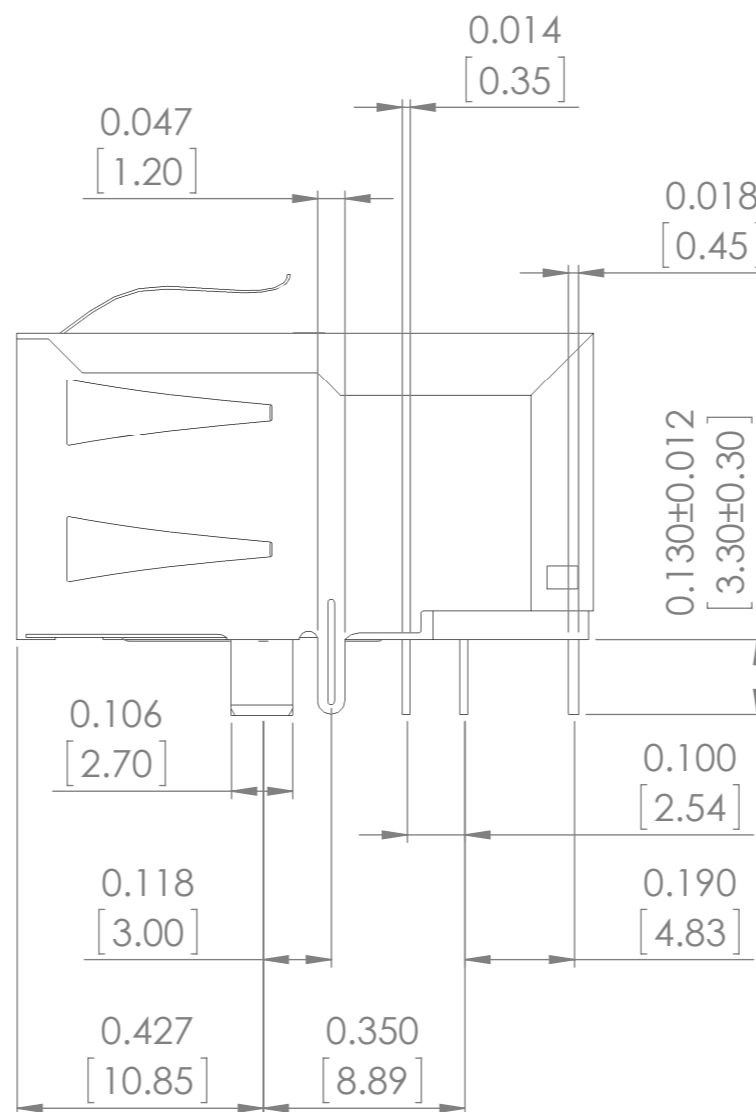
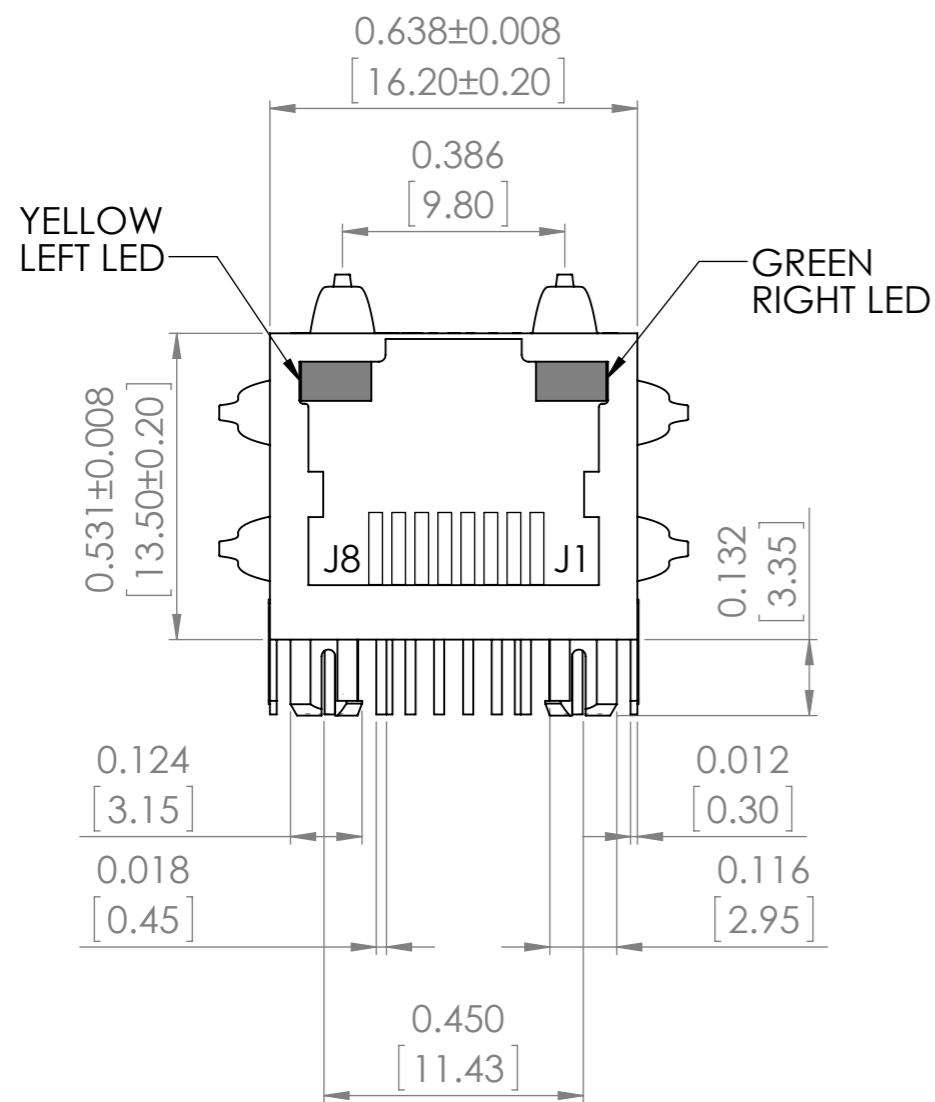
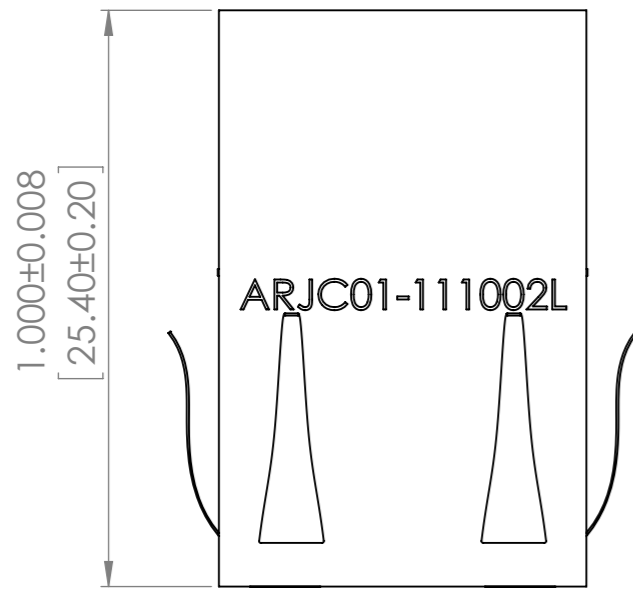
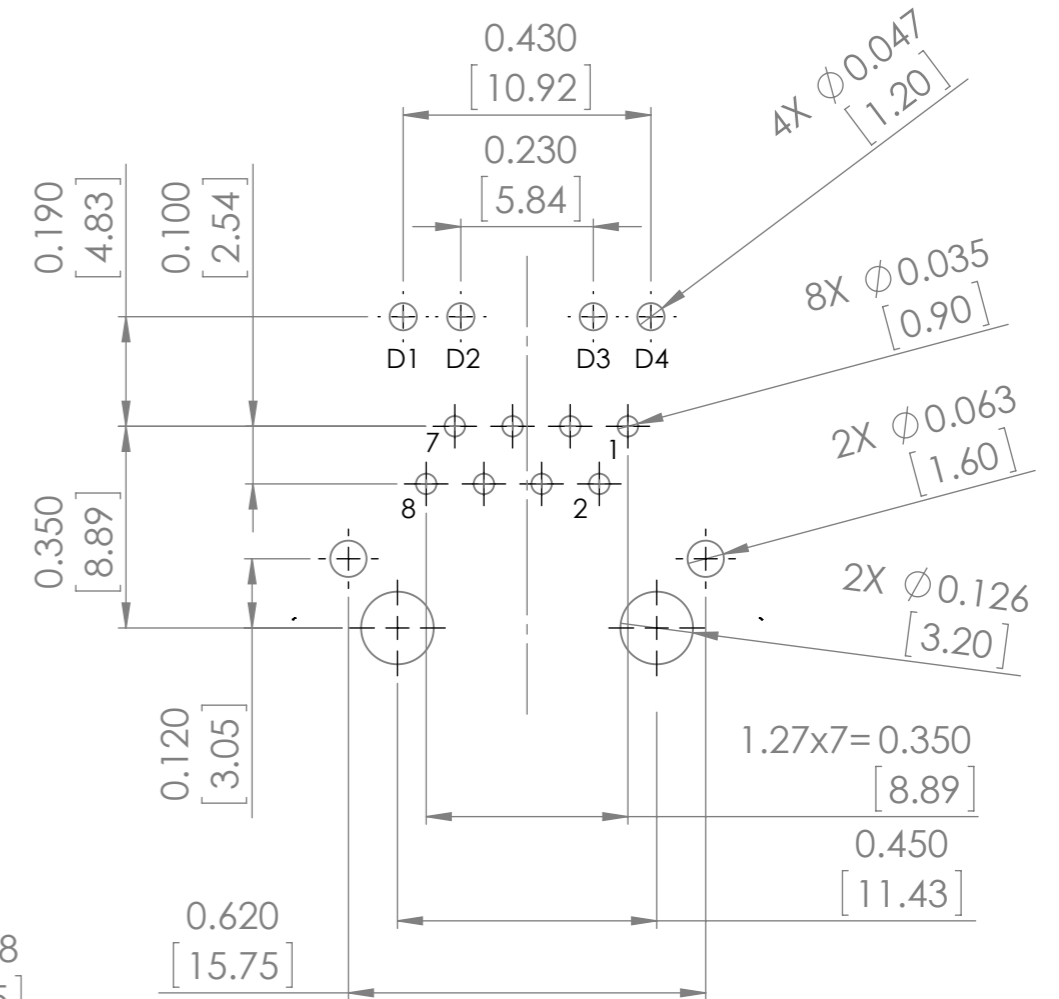



**Recommended Land Pattern**



DO NOT SCALE DRAWING		REVISION -	
 The Power of Linking Together			
5101 Hidden Creek Lane, Spicewood Texas-78669			
TITLE:		RJ45	
DWG NO.		ARJC01-111002L	A3
SCALE: 2:1		SHEET 1 OF 1	