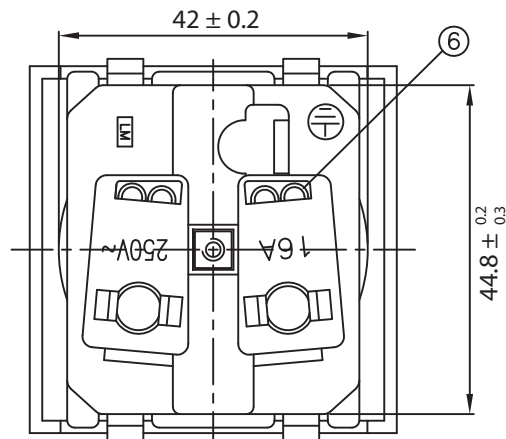
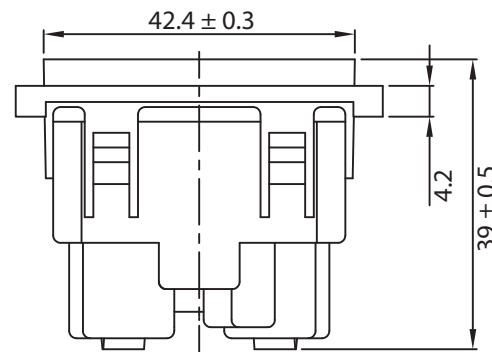
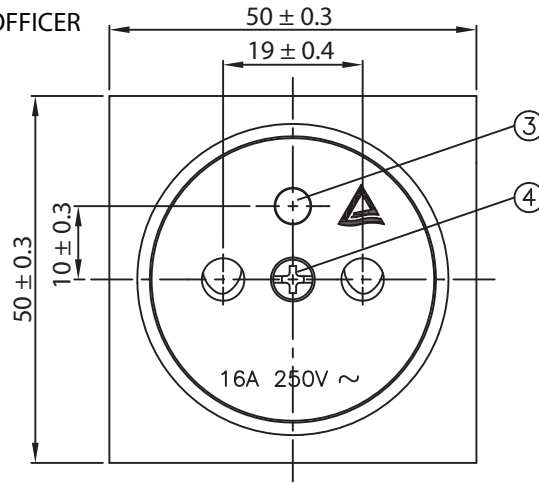


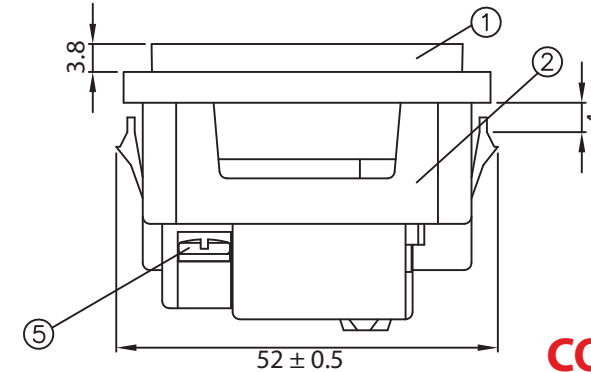
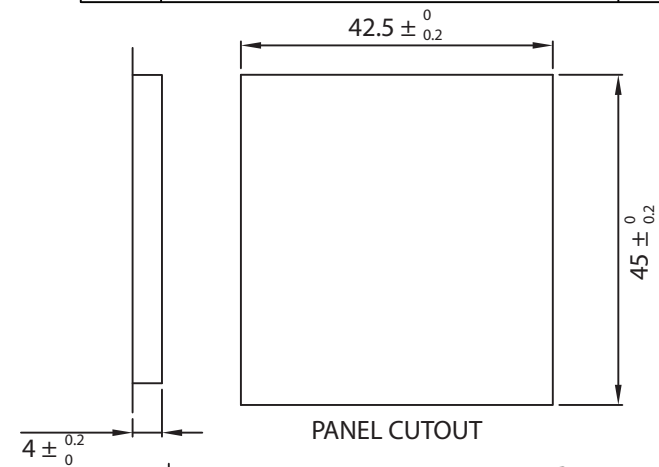
THESE DRAWINGS ARE THE PROPERTY OF QUALTEK ELECTRONICS AND NOT TO BE REPRODUCED FOR OR COMMUNICATED TO A THIRD PARTY WITHOUT THE EXPRESS WRITTEN PERMISSION OF AN OFFICER OF QUALTEK ELECTRONICS.



NOTES:

RATING: 16A 250V AC  
 APPROVALS: TUV  
 RoHS COMPLIANT

REVISION			
REV.	DESCRIPTION	DATE	APPROVED
B	Updated Approvals	09-21-17	LY



**CONTROLLED**

6	L/N Terminal Brass with Ni-Plated	2
5	Pressure-wire Screw M3.5*0.6m/m	3
4	Screw M3*0.5m/m	1
3	Grounding PIN Brass with Ni-Plated Ø=4.8mm	1
2	Body NY PA66 Black Color	1
1	Cover PC White Color	1

Dim range (mm)	Tolerance +/- (mm)	Qualtek Electronics Corp. PPC DIVISION		
		Part Number: 741W-B/01	RoHS Compliant	
0-1	0.15	Description: AC RECEPTACLE		
1-6	0.20			
6-18	0.30			
18-50	0.50			
50-120	0.70	UNIT: mm	REV. B	
120-250	0.90	Drawn / Date	Checked / Date	Approved / Date
250-500	1.20	R.Nuti 04-17-08	04-17-08	JJH / 04-17-08