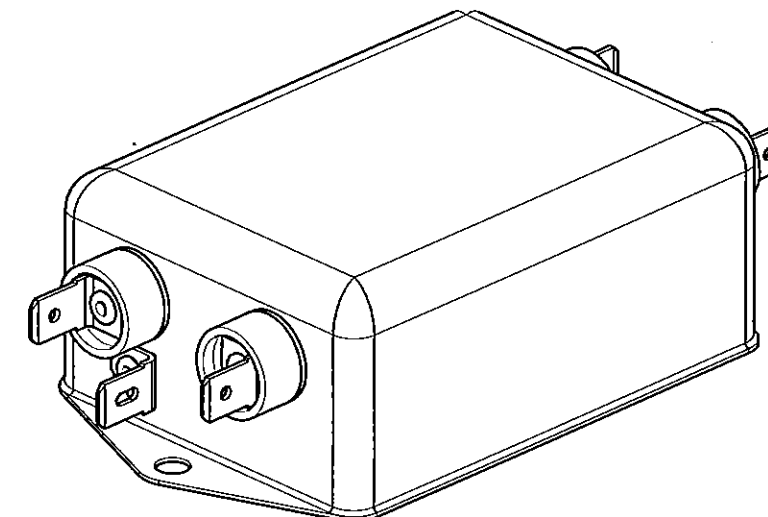
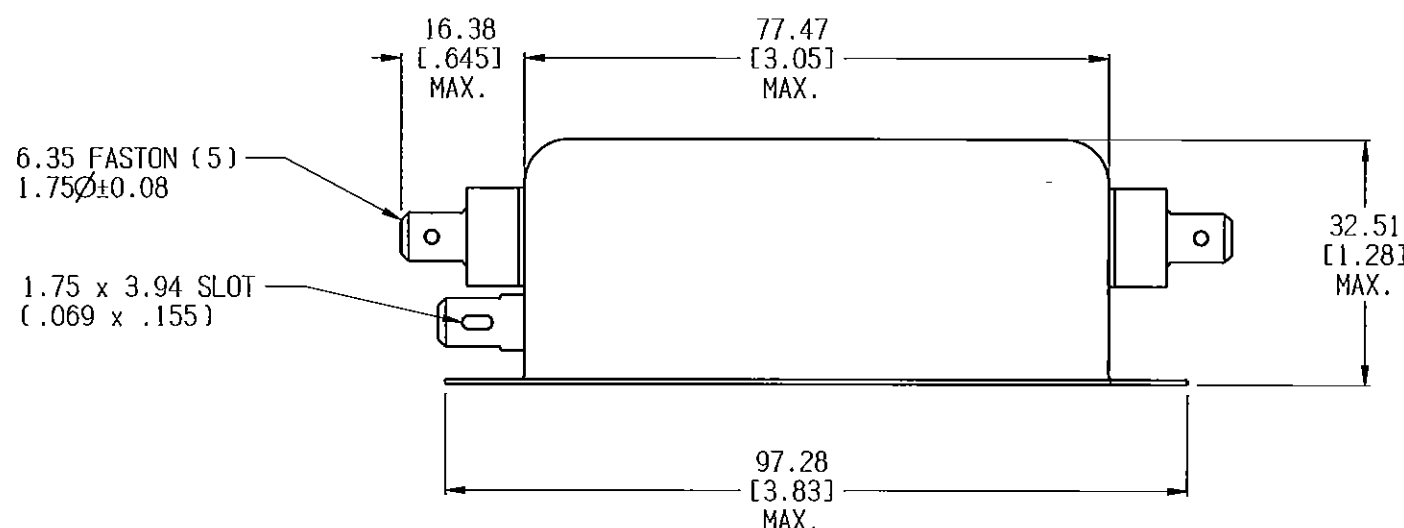
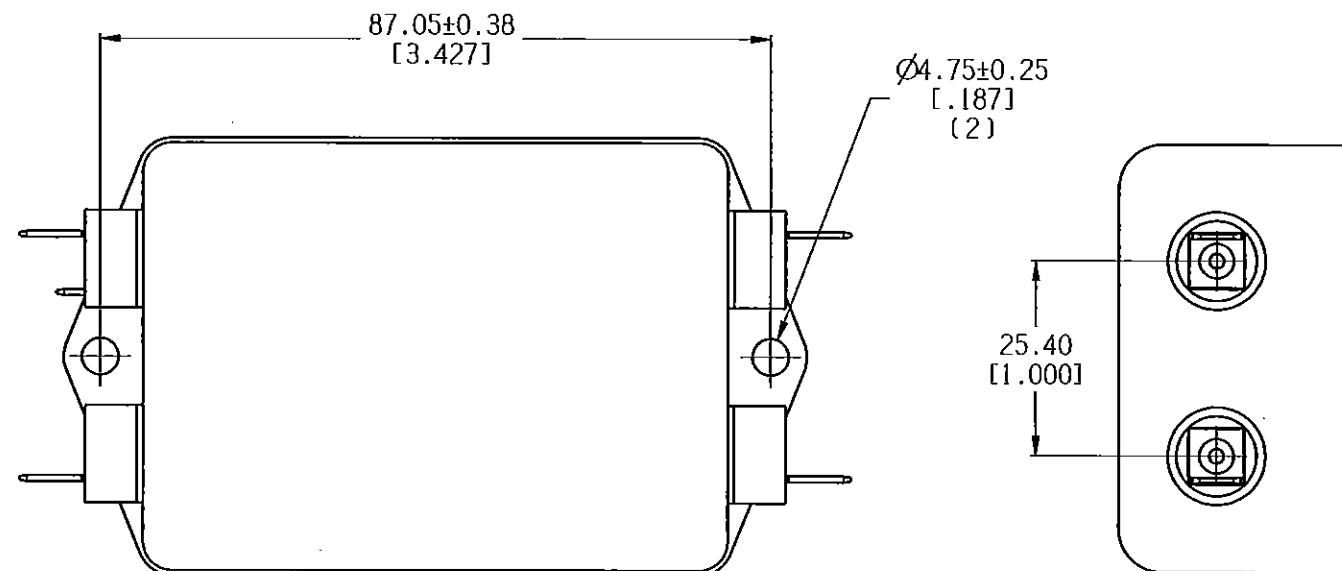
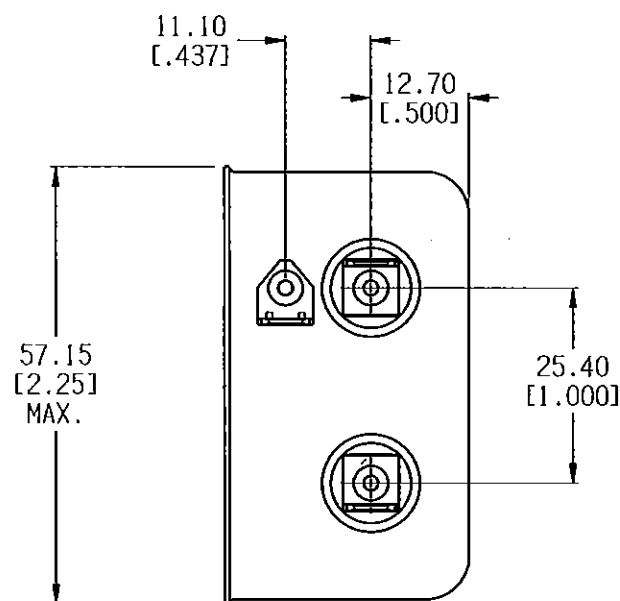


6VSK1			
EC #	APPR.	DDMMYY	REV.
13-015670	TAM	04OCT13	G



**SAFETY ORGANIZATIONS**

THIS FILTER HAS BEEN FORMALLY RECOGNIZED, CERTIFIED OR APPROVED BY THE LISTED AGENCY. THEREFORE, ALL TEST/REQUIREMENTS SPECIFIED IN THE LATEST REVISION OF THE FOLLOWING AGENCY STANDARDS HAVE BEEN MET:

- UL RECOGNIZED: UL 1283
- CSA CERTIFIED: CSA C22.2 No. 8
- VDE APPROVED: EN 60939-2

**RELIABILITY SPECIFICATIONS:**

STORAGE TEMPERATURE: -40°C TO +85°C  
 HUMIDITY: 21 DAYS @ 40°C 95% RH.  
 CURRENT OVERLOAD TEST: 6 TIMES I<sub>r</sub> FOR 8 SECONDS

**RECOMMENDED RECEIVING INSPECTION HIPOT:**

LINE TO GROUND: 1500 VAC FOR 1 MINUTE  
 LINE TO LINE: 1450 VDC FOR 1 MINUTE

**FILTER APPROVAL:**

THE BEST WAY TO SELECT AND QUALIFY A FILTER IS FOR YOUR ENGINEERING TO TEST THE UNIT IN YOUR EQUIPMENT.

**OPERATING SPECIFICATIONS**

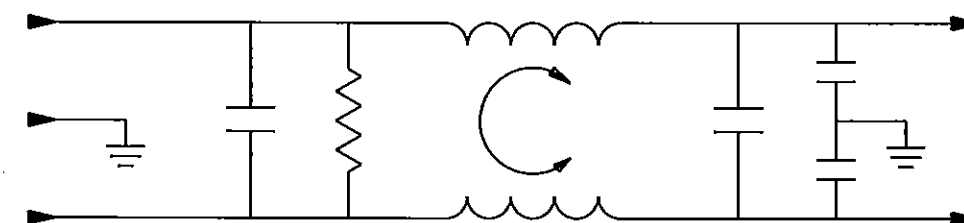
LINE CURRENT/VOLTAGE: 6 AMP, 120/250 VAC  
 LINE FREQUENCY: 50-60Hz  
 MAXIMUM LEAKAGE CURRENT, EACH LINE TO GROUND:  
 .25mA @ 120V, 60Hz  
 .48mA @ 250V, 50Hz

OPERATING AMBIENT TEMP. RANGE: -10°C TO +40°C @ RATED CURRENT, I<sub>r</sub>.  
 IN AN AMBIENT, T<sub>a</sub>, HIGHER THAN 40°C, THE MAXIMUM OPERATING CURRENT, I<sub>o</sub>, IS AS FOLLOWS:

$$I_o = I_r \sqrt{\frac{85 - T_a}{45}}$$

**TEST SPECIFICATIONS:**

INDUCTANCE: 8.73 mH NOMINAL  
 CAPACITANCE: (MEASURED @ 1KHz, 0.250VAC MAX., 25°C±1°C)  
 LINE TO GROUND: .006 μF ±20%  
 LINE TO LINE: .54 μF ±20%  
 DISCHARGE RESISTOR: 330 KΩ  
 L/G AND L/L I.R.  
 NO DISCHARGE RESISTOR: 6000H Ω (MIN.) @ 100VDC, 20°C AND 50% RH



50 Ω - 50 Ω (MINIMUM) INSERTION LOSS											PARTS SHALL COMPLY WITH TYCO ELECTRONICS 138-702 SPECIFICATION FOR HAZARDOUS SUBSTANCES				
FREQUENCY MHz	.01	.02	.05	.08	.15	.5	1	5	10	20	30	/	UNLESS OTHERWISE SPECIFIED TOLERANCE TO BE ±0.63 MATERIAL & FINISH: AS SUPPLIED	TE Connectivity	
COMMON dB	7	13	21	25	32	44	45	45	45	38	27	/			
DIFF. dB	1	1	2	3	25	59	65	65	65	50	50	/		DIMENSIONS IN MILLIMETERS	
SEEF SIZE	THIRD ANGLE PROJECTION											TE PART NO: 6609036-5			
THIS INFORMATION IS CONFIDENTIAL AND PROPRIETARY TO TYCO ELECTRONICS CORPORATION AND ITS WORLDWIDE SUBSIDIARIES AND AFFILIATES. IT MAY NOT BE DISCLOSED TO ANYONE OTHER THAN TYCO ELECTRONICS PERSONNEL, WITHOUT WRITTEN AUTHORIZATION FROM TYCO ELECTRONICS CORPORATION, HARRISBURG, PENNSYLVANIA USA.											SCALE: 1:1		DATE: 12SEP89	DRAWING NUMBER: 6VSK1	REV. G
											DRW. BY: LJO	CR16: CFW			