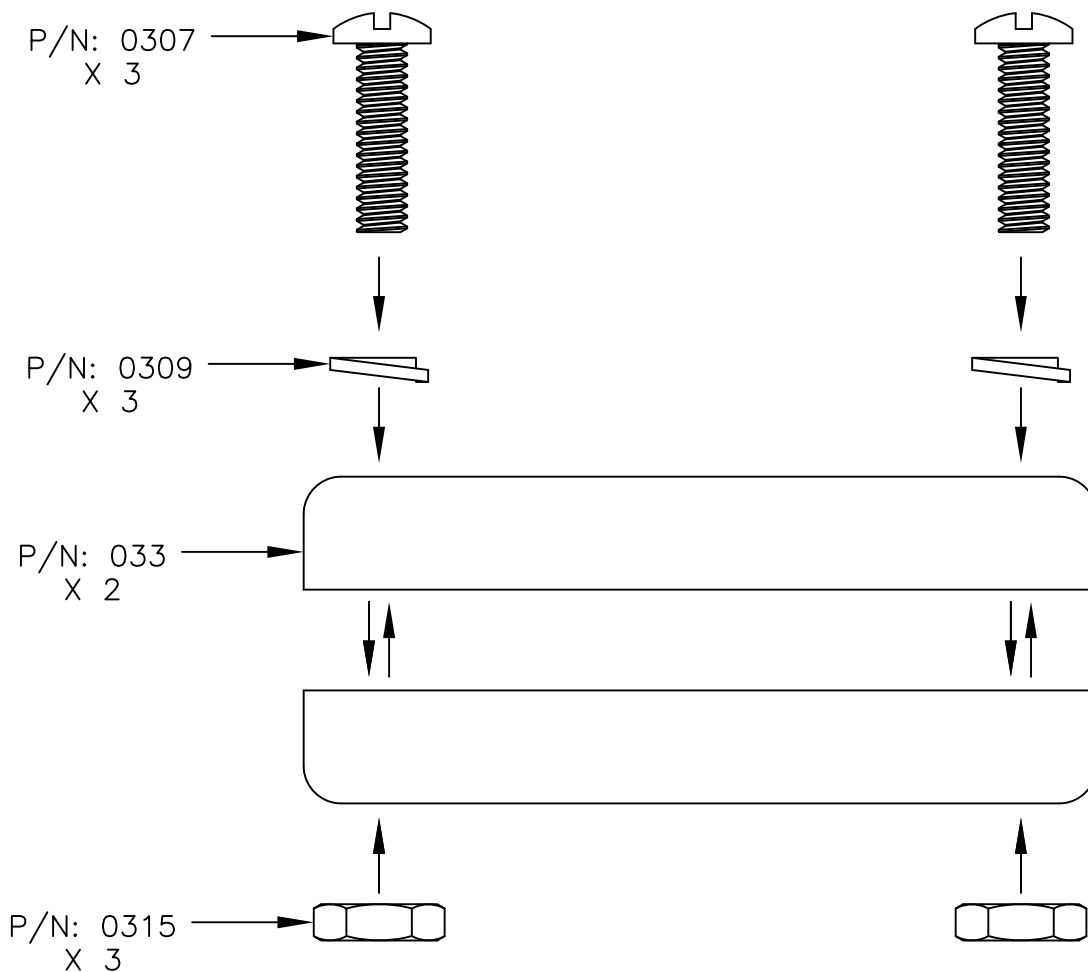


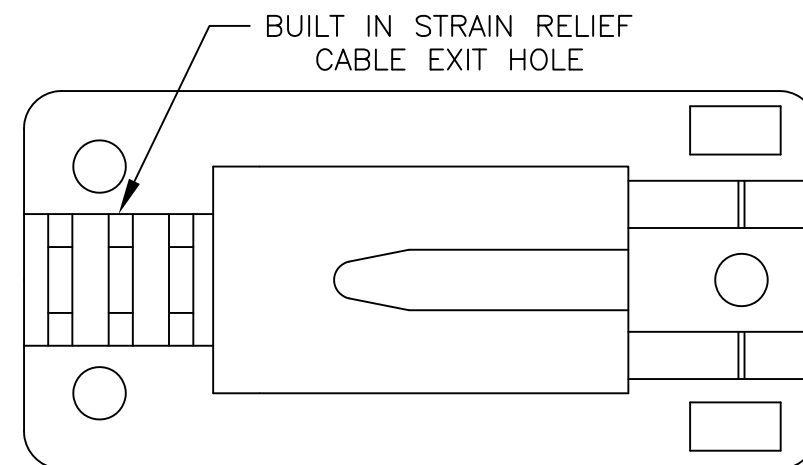
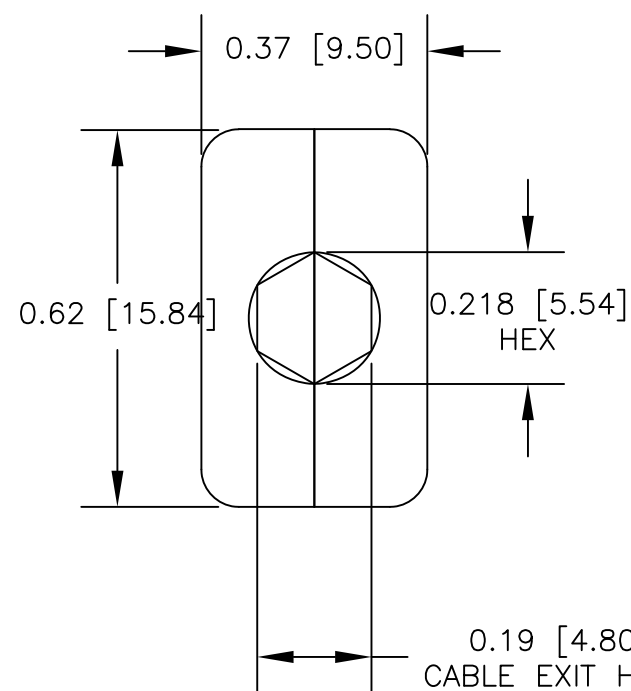
		REVISIONS	
LTR	DESCRIPTION	DATE	APPROVED

NOTES: UNLESS OTHERWISE SPECIFIED

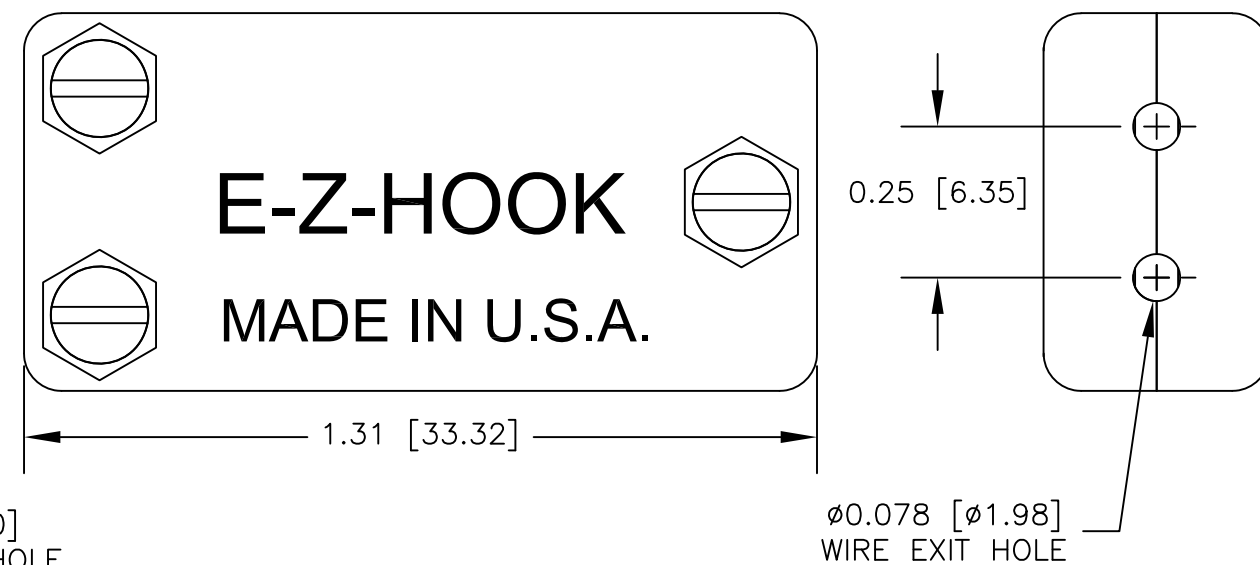
- CONSTRUCTION:
HOUSING: BLACK MOLDED NYLON.
HARDWARE: PASSIVATED SS
- PERFORMANCE:
MAXIMUM TEMPERATURE: 200°F (93°C)



EXPLODED SIDE VIEW



INTERNAL VIEW



ACTUAL SIZE

		UNLESS OTHERWISE SPECIFIED DIMENSIONS ARE IN INCHES TOLERANCES ARE: FRACTIONS DECIMALS ANGLES ± N/A .XX ± N/A ± N/A .XXX ± N/A	CONTRACT NO.		E-Z-HOOK DIVISION OF TEKTEST INC. ARCADIA, CA 91006 U.S.A.
			APPROVALS	DATE	
		MATERIAL SEE NOTES	DRAWN R.L.	5/21	DESCRIPTION Y BLOCK W/ø0.078 [ø1.98] WIRE EXIT HOLE
		FINISH SEE NOTES	APPROVED BY		SIZE CODE IDENT NO. DRAWING NO. REV. B 08505 Y1000
NEXT ASSY	USED ON	APPLICATION	DO NOT SCALE DRAWING		SCALE 3:1 SHEET 1 OF 1