

C4532CH2E104J320KN

TDK Item Description : C4532CH2E104JT****

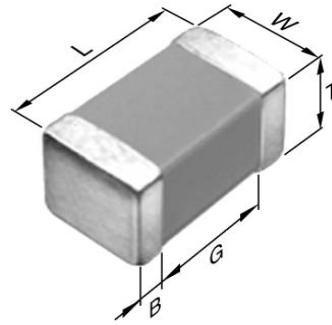


Application & Main Feature

Commercial Grade (Mid Voltage (100 to 630V))

Series

C4532 [EIA CC1812]



Dimensions

L 4.50mm +/-0.4mm
 W 3.20mm +/-0.4mm
 T 3.20mm +/-0.3mm
 B 0.20mm Min.
 G

Temperature Characteristic

CH (-25 to 85 degC 0+/-60ppm/degC)

Rated Voltage

2E (250Vdc)

Capacitance

100nF

Capacitance Tolerance

J (+/-5%)

Q Factor

1000 Min.

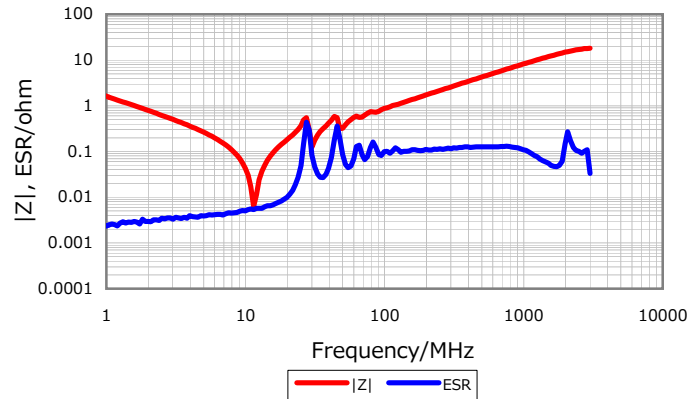
Insulation Resistance

5Gohm Min.

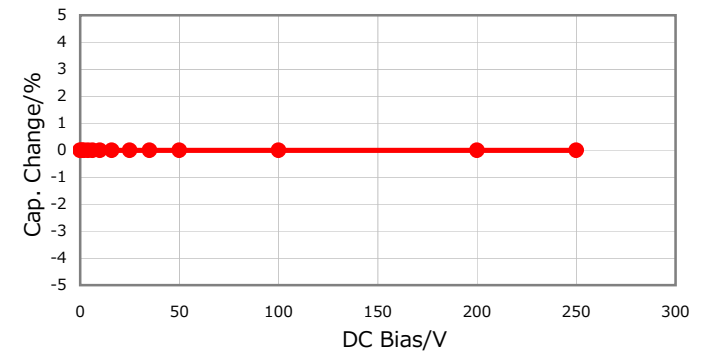
AEC-Q200

Not Applicable

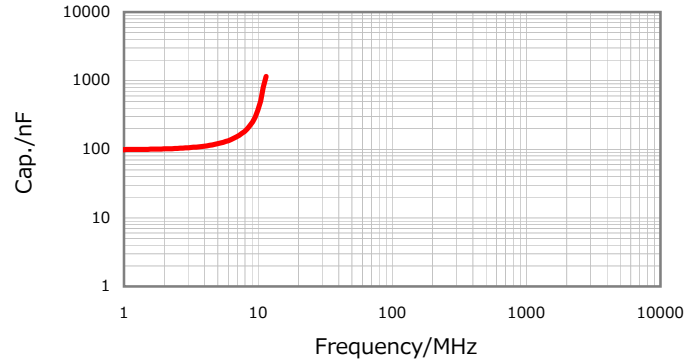
|Z|, ESR vs. Freq. Characteristics



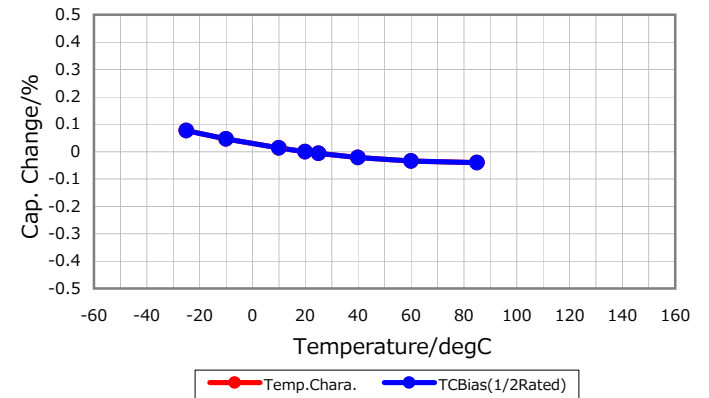
DC Bias Characteristic



Cap. vs. Freq. Characteristic



Temperature Characteristics



Characterization Sheet (Multilayer Ceramic Chip Capacitors)



All specifications are subject to change without notice.

January 4, 2016