

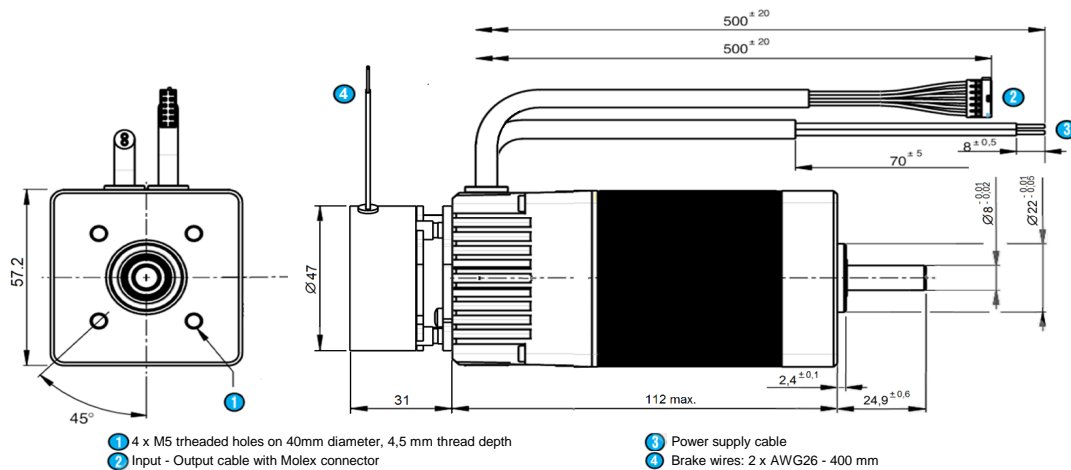
DCmind Brushless motor

Data sheet

80 280 014

Series

80 280 TNI21



General characteristics

Power supply		
Direct current voltage supply		✓
Nominal voltage range	Vdc	12 -> 32
Max. current	A	17

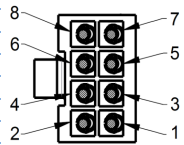
Motor characteristics (1)		12 Vdc	24 Vdc	32 Vdc	
At no load					
Max. output speed	rpm	2 000	3 950	3 950	
Current at the max output speed	A	0,50	0,70	0,60	
Standby current	A	0,08	0,09	0,09	+10%
At nominal					
Speed	rpm	1 400	3 250	3 900	+10%
Torque (2)	mNm	490	390	355	
Output power	W	72	133	145	+10%
Current	A	8,5	6,9	5,5	
Efficiency	%	70	80	82	

At max. output power		800 rpm	1 900 rpm	2 400 rpm	
Speed	rpm	800	1 900	2 400	
Torque	mNm	1 000	1 000	1 000	
Output power	W	84	199	251	+10%
Current	A	15,3	14,6	12,5	
Efficiency	%	46	57	63	

At peak torque		800 rpm	1 900 rpm	2 400 rpm	
Speed	rpm	800	1 900	2 400	
Torque	mNm	1 000	1 000	1 000	
Output power	W	84	199	251	
Current	A	15	15	13	+10%

Others			
Life (3)	h		20 000
Rotor inertia	gcm ²		120
Thermal Resistance	°/W		2
Thermal time constant	mn		30
Rotor pole number			8
Cogging torque	mNm		33
Weight	kg		1,44
Noise level	dBA		50

Connecting		
Input - Output cable With Molex connector ref: 43025-0800		
Output cable, UL style 2464 80°C 300V - 8 wires AWG24		
Input: ON/OFF	1 - Green	
Input: Direction	2 - Yellow	
Input: Torque limit	3 - Blue	
Input: Speed	4 - Orange	
0V	5 - Black	
Output: Pulse	6 - Brown	
Output: Torque limit reached	7 - Purple	
Output: Direction	8 - Red	
Power supply cable		
Cable UL style 2517 105°C 300V - 2 wires AWG16 - 500 mm		
+ 12Vdc -> + 32 Vdc	Brown	
0V	Blue	



Drive		TNI21
Type		✓
Built-in drive		✓
Internal encoder		24 pulses per turn
Control		
Speed		PWM
Torque		PWM
4 quadrants - low braking		✓
4 quadrants with regenerative energy		
Type" Trapezoidal"		✓
Security		
Short-circuit of outputs		✓
Input inverted		✓
Low voltage	Vdc	< 10
Short high voltage	Vdc	> 36
Stop at max internal drive temperature (2)	°C	110
Drive temperature allowing to restart	°C	90

Generic parameters			
Output shaft with ball bearings			✓
Max. Radial force (12mm from front face)	N		40
Max. axial force(4)	N		20
Temperature range	CEI60068-2-1/2	°C	-30 -> +70
Storage temperature		°C	-40 -> +80
Dielectric	1min 2mA 50Hz CEI60335	Vdc	
Motor insulation	CEI60085	class	B
Salt spray	CEI60068-2-58	severity	48h
Degree of protection (output shaft not included)	CEI60529	IP	65M
EMC			
Electrostatic Discharge	CEI61000-4-2	level	3
Electrical fast transient / burst test	CEI61000-4-4	level	3
Surge test	CEI61000-4-5	level	1
Radiated emission	EN55022	class	B
Approvals			
ROHS	2002/95/CE		✓
EC			✓

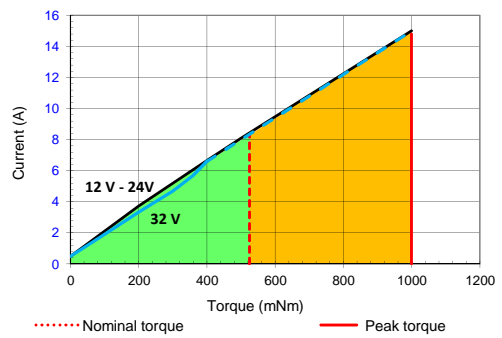
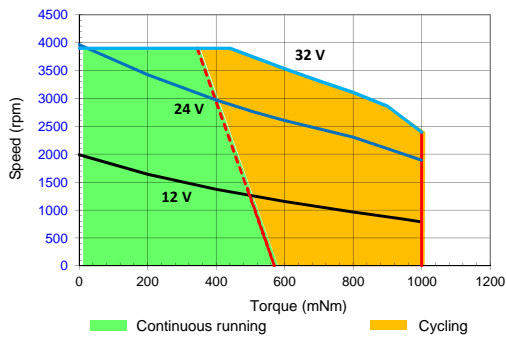
Brake		Static
Type		✓
Power OFF brake		✓
Voltage supply	Vdc	24 +- 10%
Nominal holding torque	Nm	0,5
Input power	W	6,6

Notes	
Values without tolerances are average production values.	
Added informations are in "TNI21 manual and security" on www.crouzet.com	
Motor not protected in case of reversed power voltage	
(1) Cold motor, 20 ° C ambient temperature, full speed	
(2) Max torque for continuous operation at 20 ° C, decrease this value for higher ambient temperature	
(3) Continuously rated torque, zero radial and axial loads	
(4) Pinion or pulley fitting are done at the Crouzet factory, before final assembly.	

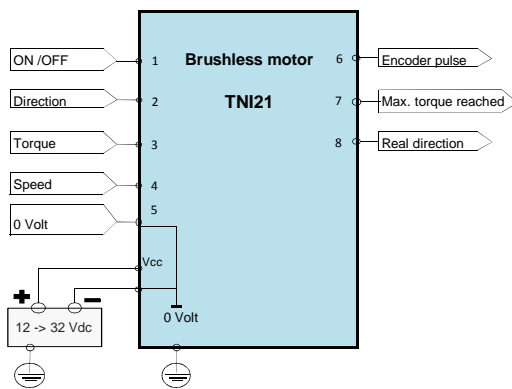
Drive electrical datas

Max. product characteristics			
Parameters			
Max. voltage supply "Vcc"	Vdc		39
Max. current "Icc max"	A		20
Max. voltage on inputs "Vin max"	Vdc		39
Max. voltage on outputs "Vout max"	Vdc		39
Max. output current "Iout max"	mA		50
Running datas			
Parameters			
Voltage supply "Vcc"	Vdc	Min	Typical
Current "Icc"	A		
Standby power "W0"	W		
Vitesse réglable de	rpm	120	4 000
Couple moteur réglable de	mNm	40	1 000
Couple de maintien réglable de	mNm	40	310

Input datas			
Parameters			
Impédance - Input 1, 2	kΩ	Min	Typical
Impédance - Input 3, 4	kΩ		57
Low level - Input 1, 2	Vdc		0
High level - Input 1, 2	Vdc		4
Low level - Input 3, 4	Vdc		0
High level - Input 3, 4	Vdc		7,5
Fréquence des PWM	Hz		100
			2000
Output datas			
Parameters			
Low level Outputs	Vdc	Min	Typical
with "pull down resistor" = 4,7KΩ and Vcc = 24 V		0	-
High level Outputs	Vdc		Vcc - 0,5
with "pull down resistor" = 4,7KΩ and Vcc = 24 V			-
= voltage supply added from eventual rejeptive voltage			



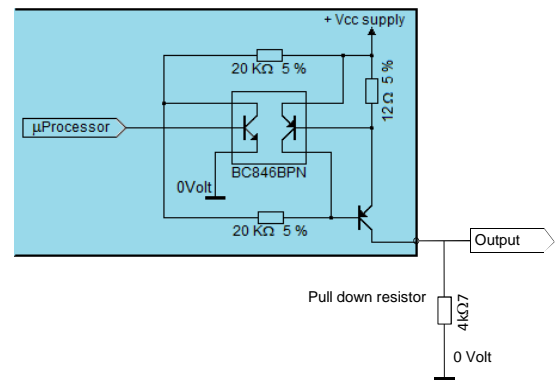
Wiring



Output equivalent circuit

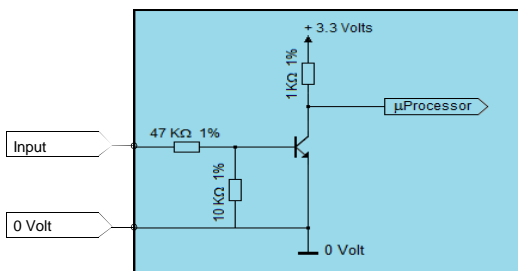
Outputs

PNP open collector output with internal current limitation (50mA)
Add a pull down resistor



Inputs: ON/OFF and Direction

Inputs: ON/OFF and Direction



Inputs: Torque and Speed

Inputs: Torque and Speed

