

4

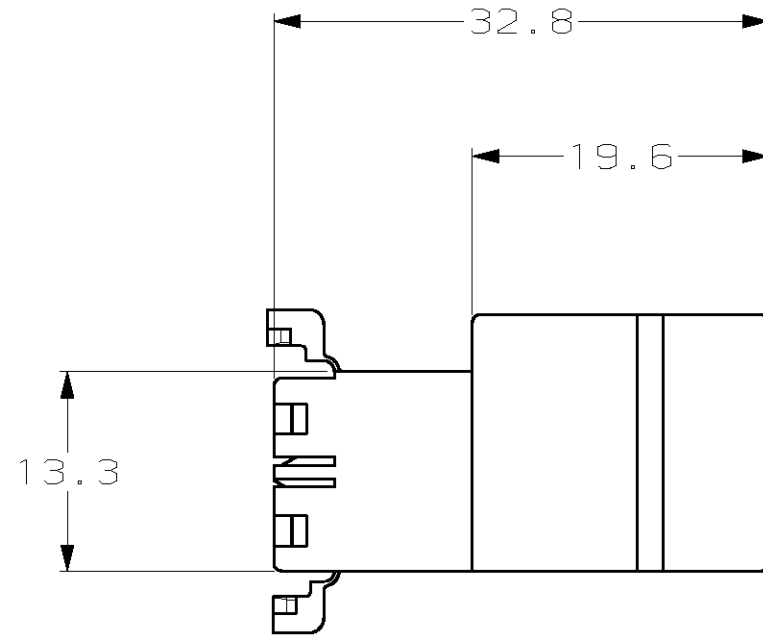
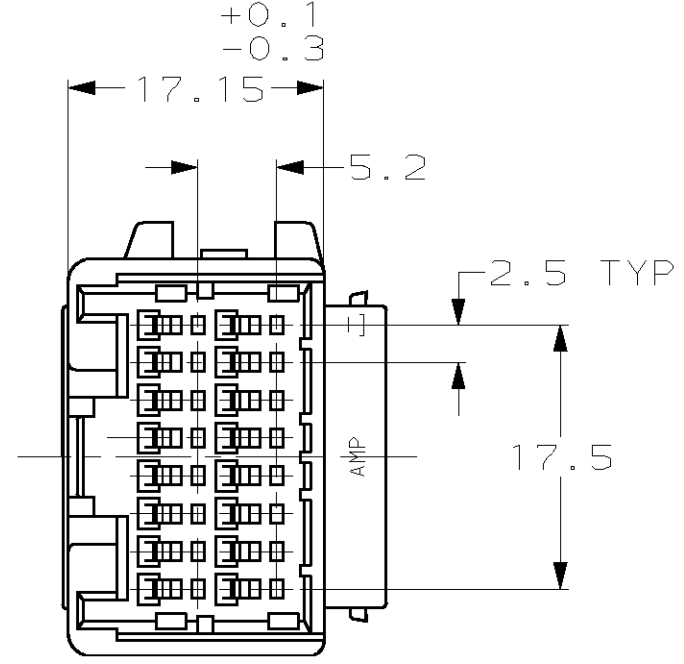
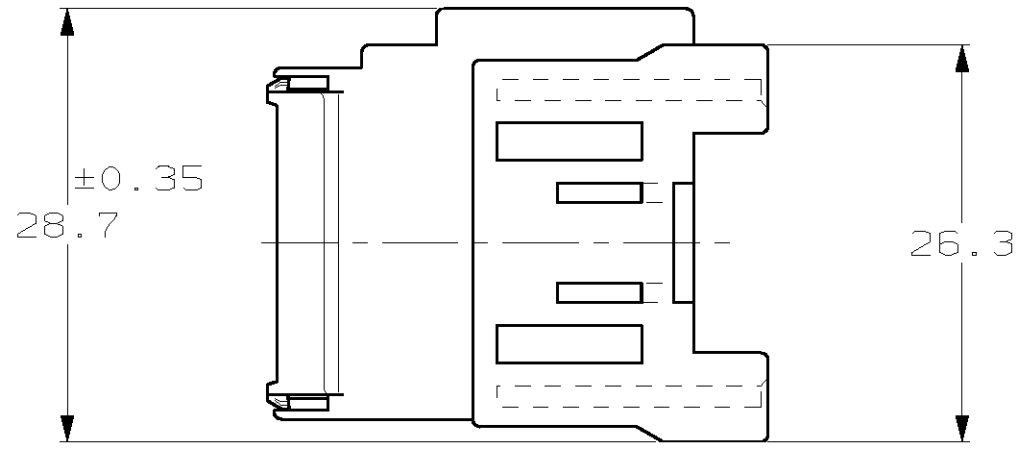
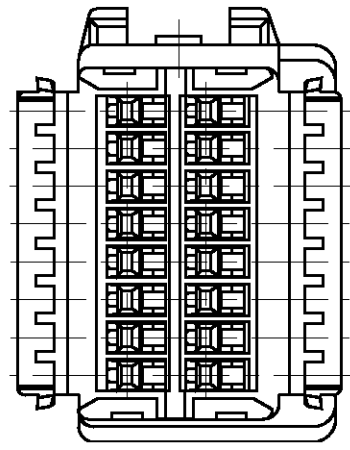
3

2

1

THIS DRAWING IS UNPUBLISHED. RELEASED FOR PUBLICATION ,19 .
 © COPYRIGHT 19 BY AMP INCORPORATED. ALL RIGHTS RESERVED.

LOC	DIST	REVISIONS			
P	LTR	DESCRIPTION	DATE	DWN	APVD
FX	55				
		0 RELEASED	10-96	PY	SK
		A REV PER EC# 0K80-0172-00	7-14-00	PC	GM
		B REV PER EC# 0K80-0092-01	5-7-01	PC	SA



1. THE MATING PLUG HOUSING IS 174046
2. THE APPLIED TAB CONTACT IS 173682

COLOR	PART NUMBER
ORANGE	776178-8
YELLOW	776178-7
GRAY	776178-6
BLUE	776178-5
GREEN	776178-4
BROWN	776178-3
BLACK	776178-2
NATURAL	776178-1

THIS DRAWING IS A CONTROLLED DOCUMENT.		DWN P. YEAGER 10-15-96	AMP AMP Incorporated Harrisburg, PA 17105-3608												
DIMENSIONS: mm		CHK S. KROEGER 10-15-96													
TOLERANCES UNLESS OTHERWISE SPECIFIED:		APVD S. KROEGER 10-15-96	NAME												
<table border="0"> <tr> <td>0 PLC</td> <td>±-</td> </tr> <tr> <td>1 PLC</td> <td>±0.25</td> </tr> <tr> <td>2 PLC</td> <td>±0.20</td> </tr> <tr> <td>3 PLC</td> <td>±-</td> </tr> <tr> <td>4 PLC</td> <td>±-</td> </tr> <tr> <td>ANGLES</td> <td>±1°</td> </tr> </table>		0 PLC	±-	1 PLC	±0.25	2 PLC	±0.20	3 PLC	±-	4 PLC	±-	ANGLES	±1°	PRODUCT SPEC 108-5244	16 POSN CAP HOUSING, .040 MLC
0 PLC	±-														
1 PLC	±0.25														
2 PLC	±0.20														
3 PLC	±-														
4 PLC	±-														
ANGLES	±1°														
MATERIAL PBT		APPLICATION SPEC 114-5108	SIZE CAGE CODE DRAWING NO RESTRICTED TO												
FINISH -		WEIGHT -	A3 00779 C-776178												
CUSTOMER DRAWING			SCALE 2:1 SHEET 1 OF 1 REV B												