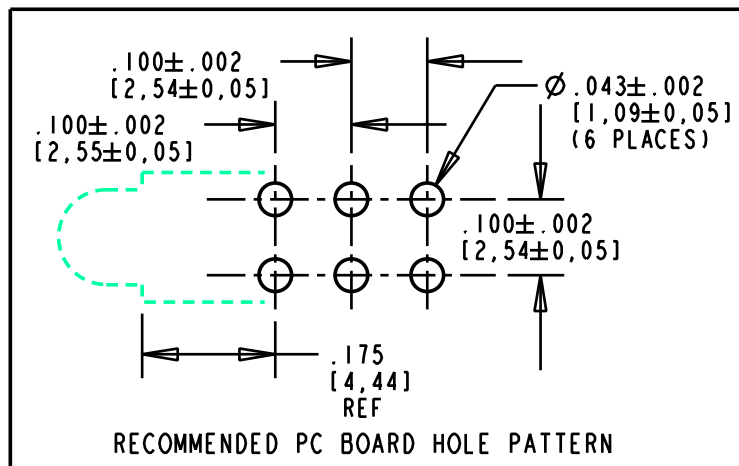


PART NUMBER and LEGEND	LED COLOR		
	POSITION 1	POSITION 2	POSITION 3
564-0700-820	YELLOW / GREEN	YELLOW / GREEN	YELLOW / GREEN

REV.	ECN NO.	REVISIONS	DRN.	CKD.	APP.	DATE
A	—	NEW RELEASE	YIS			

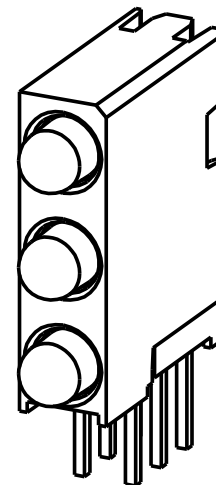
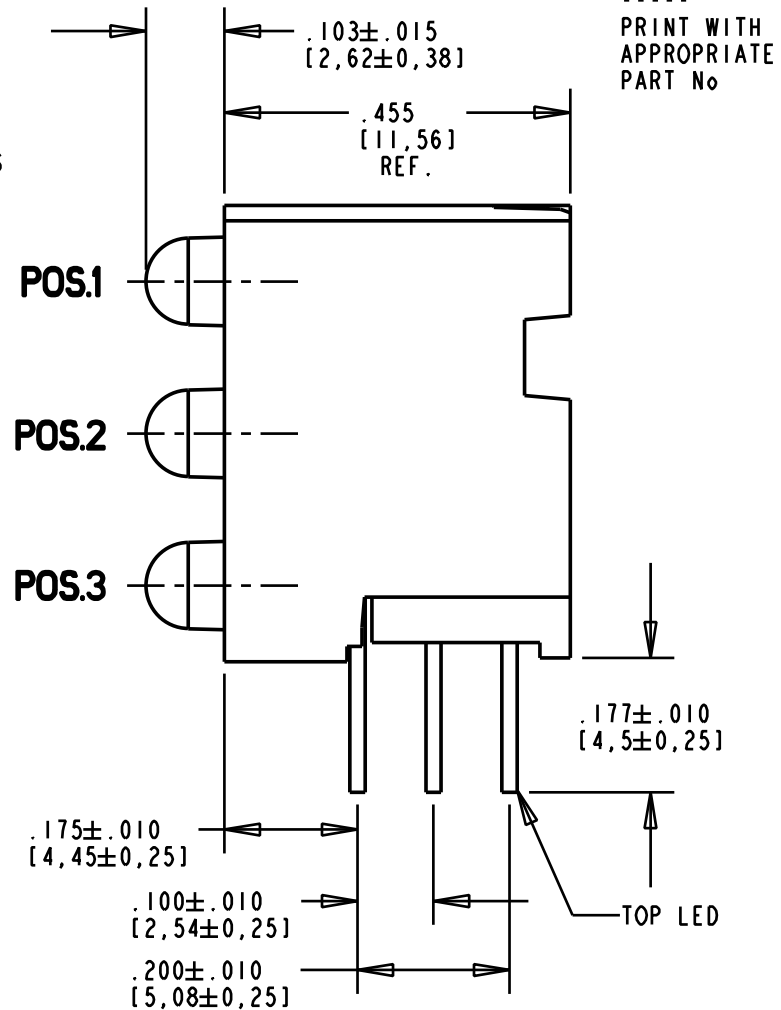
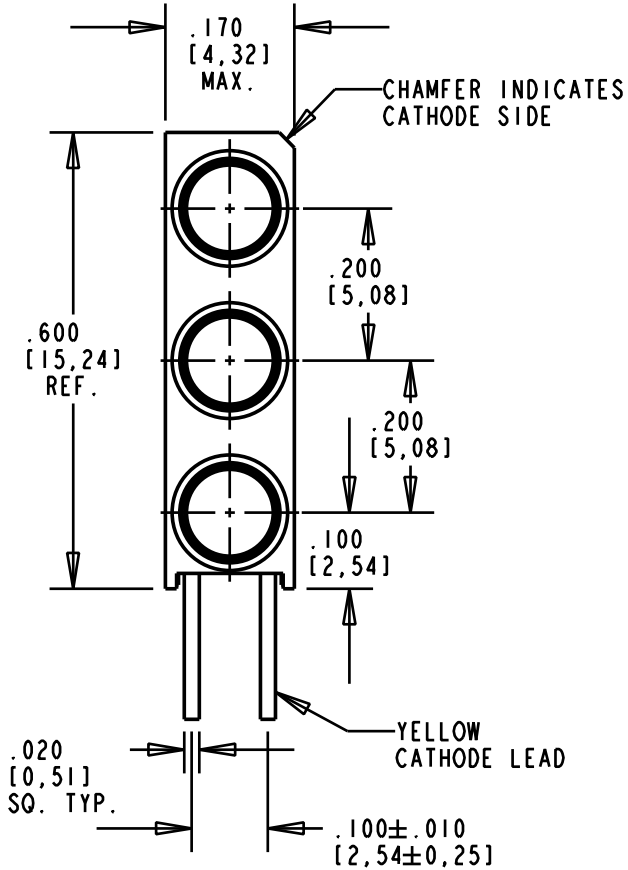
NOTES:

- LEADS TO FIT INTO HOLES SPACED AS PER HOLE PATTERN
- LEADS TO BE FREE OF DEFORMATION AFTER BENDING AND CUTTING
- LED LEAD DIMENSIONS SHOWN ARE MEASURED AT HOUSING EXIT.
- PIN NUMBERS FOR REFERENCE ONLY, DESIGNATION NON-EXISTENT ON PARTS
- DIALIGHT PART NUMBER: 564-0700-820



LEGEND AREA

PRINT WITH
APPROPRIATE
PART No



SCALE 3.000

OPERATING CHARACTERISTICS AT 25°C						
CHARACTERISTICS	COLOR	MIN	TYP	MAX	UNITS	TEST CONDITIONS
LUMINOUS INTENSITY	YELLOW	2.5	4.3		mcd	I F = 10 mA
	GREEN	2.5	6.3			
FORWARD VOLTAGE	YELLOW		2.1	2.8	V	I F = 20 mA
	GREEN		2.1	2.8		
VIEWING ANGLE 2 θ 1/2	YELLOW		80		DEG.	
	GREEN		80			
PEAK WAVELENGTH	YELLOW		585		nm	
	GREEN		565			
DOMINANT WAVELENGTH	YELLOW (Y3)	585		589	nm	
	YELLOW (Y2)	583		587		
	GREEN		569			

ABSOLUTE MAXIMUM RATINGS AT T _a = 25 °C AMBIENT			YELLOW	GREEN	UNITS
POWER DISSIPATION			60	100	mW
CONTINUOUS FORWARD CURRENT			20	30	mA
PEAK FORWARD CURRENT			80	120	mA
DERATE LINEARLY FROM 50 °C			.25	.4	mA/°C
SOLDERING TEMPERATURE, 5 SEC., 1/16" FROM BODY			260		°C
OPERATING TEMPERATURE			-55 TO +100		°C
STORAGE TEMPERATURE			-55 TO +100		°C

THIS DRAWING AND THE CONTENTS HEREIN ARE CONFIDENTIAL AND THE SOLE PROPERTY OF DIALIGHT. REPRODUCTION OF THIS DRAWING OR CONSTRUCTION OF ANY PARTS WITHIN THIS DRAWING ARE FORBIDDEN WITHOUT THE WRITTEN CONSENT OF DIALIGHT.

SCALE 4:1 ALL DIM'S IN: INCHES (MM)	DRAWING NUMBER C-17066	REV A
TOLERANCES: UNLESS OTHERWISE SPECIFIED FRACTIONS: ±1/64 DECIMALS (.XX): ±.020 DECIMALS (.XXX): ±.015	TITLE STANDARD 3X1 CBI BLOCK	
ANGLES: ±3° FINISH:	MATERIAL	
FSCM 83330	Dialight	1501 ROUTE 34 SOUTH FARMINGDALE, NJ 07727
	SHEET OF	FAMILY TABLE:

