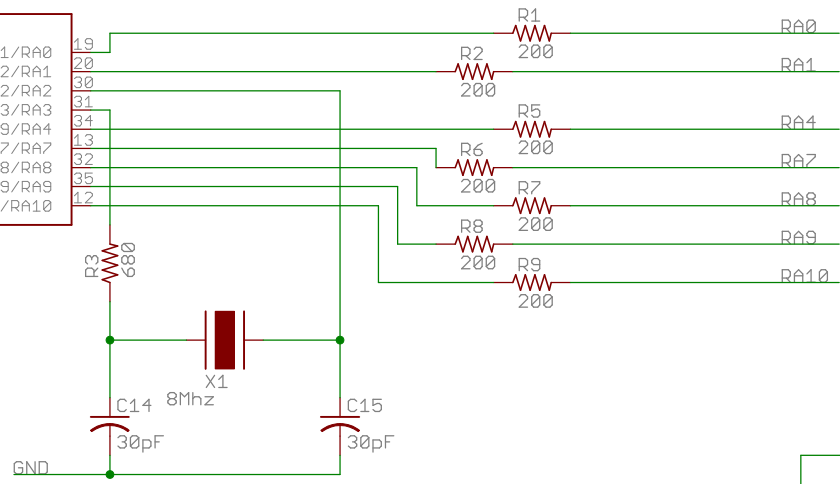


|                                |            |              |
|--------------------------------|------------|--------------|
| Cmod CK1                       |            | Engineer:NEA |
| Copyright 2013, Digilent Inc.  |            | Author: GMA  |
| SHEET:Pmod Headers, DIP Header |            | Rev:E.0      |
| TITLE: Cmod CK1                |            | Doc#:500-269 |
| Date:4/18/2013                 | Sheet: 1/3 |              |

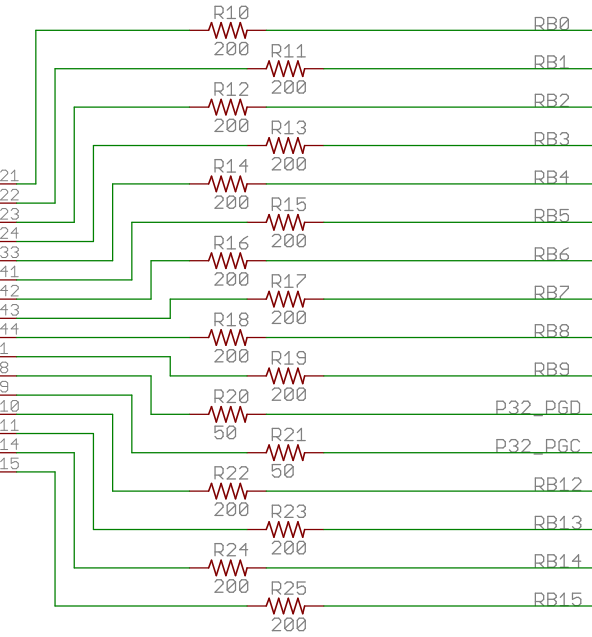
**Port A**  
 UREF+/CUREF+/AN0/C3INC/RPA0/CTED1/RA0  
 UREF-/CUREF-/AN1/RPA1/CTED2/RA1  
 OSC1/CLK1/RPA2/RA2  
 OSC2/CLK0/RPA3/RA3  
 SOSCO/RPA4/T1CK/CTED9/RA4  
 PGEC/TCK/CTED8/PMA7/RA7  
 TDO/RPA8/PMA8/RA8  
 TDI/RPA9/PMA9/RA9  
 PGED4/TMS/PMA10/RA10

IC1PORT\_A



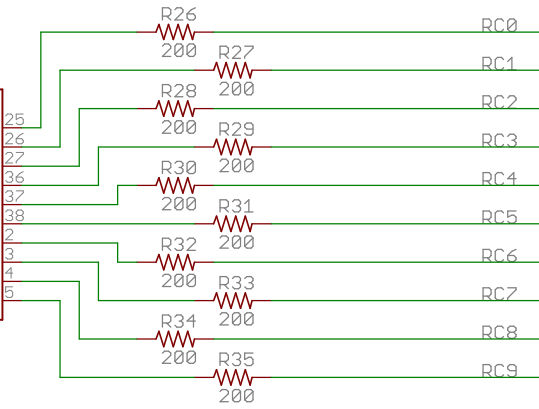
**Port B**  
 PGED1/AN2/C1IND/C2INB/C3IND/RPB0/RB0  
 PGEC1/AN3/C1INC/C2INA/RPB1/CTED12/RB1  
 AN4/C1INB/C2IND/RPB2/SDA2/CTED13/RB2  
 AN5/C1INA/C2INC/RTCC/RPB3/SCL2/RB3  
 SOSCI/RPB4/RB4  
 PGED3/RPB5/PMD7/RB5  
 PGEC3/RPB6/PMD6/RB6  
 RPB7/CTED3/PMD5/INT0/RB7  
 RPB8/SCL1/CTED10/PMD4/RB8  
 RPB9/SDA1/CTED4/PMD3/RB9  
 PGED2/RPB10/CTED11/PMD2/RB10  
 PGEC2/RPB11/PMD1/RB11  
 AN12/PMD0/RB12  
 AN11/RPB13/CTPLS/PMRD/RB13  
 CUREF/AN10/C3INB/RPB14/SCK1/CTED5/PMWR/RB14  
 AN9/C3INB/RPB15/SCK2/CTED6/PMCS1/RB15

IC1PORT\_B

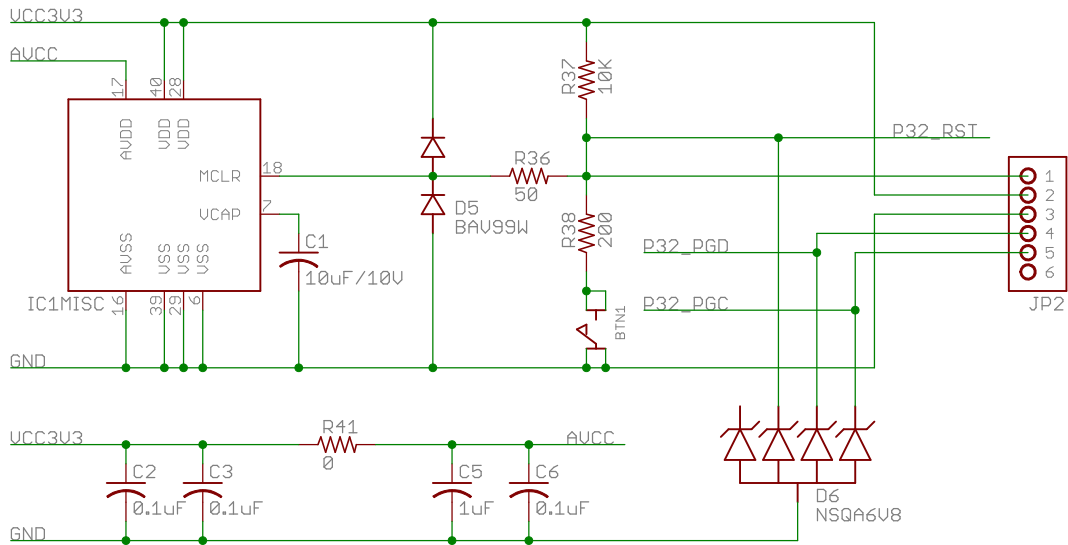
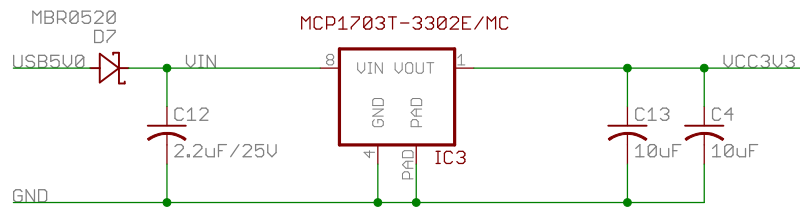
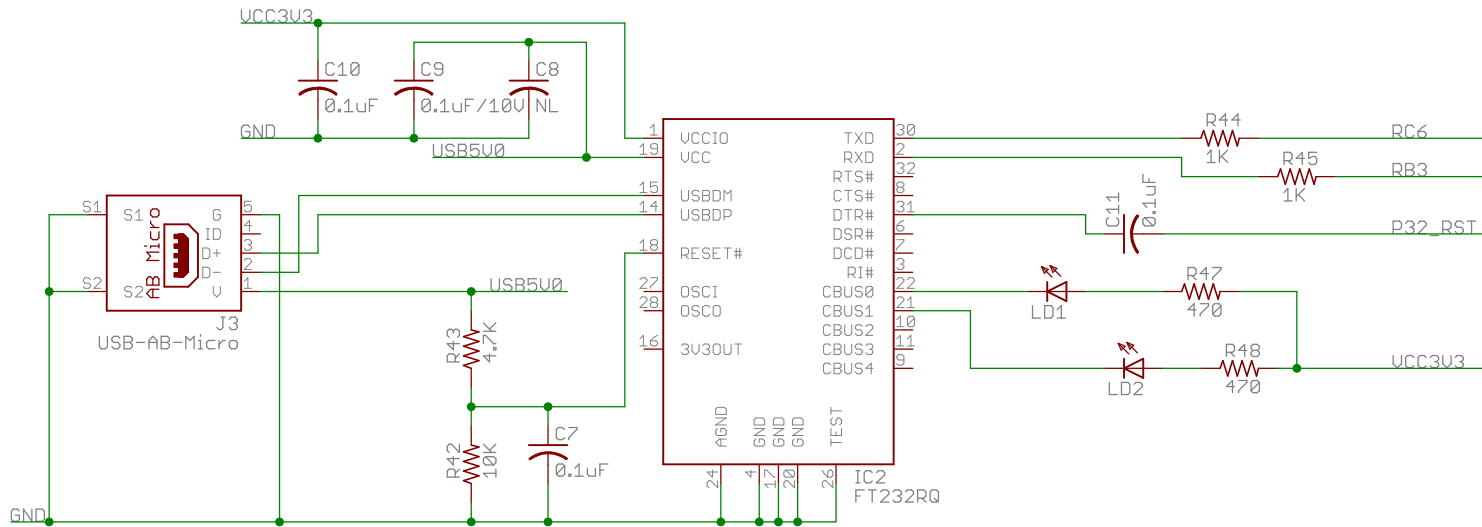


**Port C**  
 AN6/RPC0/RC0  
 AN7/RPC1/RC1  
 AN8/RPC2/PMA2/RC2  
 RPC3/RC3  
 RPC4/PMA4/RC4  
 RPC5/PMA3/RC5  
 RPC6/PMA1/RC6  
 RPC7/PMA0/RC7  
 RPC8/PMA5/RC8  
 RPC9/TED7/PMA6/RC9

IC1PORT\_C



|                               |                 |                 |
|-------------------------------|-----------------|-----------------|
| <b>Cmod CK1</b>               |                 | Engineer:NEA    |
| Copyright 2013, Digilent Inc. |                 | Author: GMA     |
| SHEET: PIC32 I/O              |                 | Rev: E.0        |
| TITLE: Cmod CK1               |                 | Date: 4/18/2013 |
| Doc#: 500-269                 | Date: 4/18/2013 | Sheet: 2/3      |



|                               |                 |                 |
|-------------------------------|-----------------|-----------------|
| Cmod CK1                      |                 | Engineer:NEA    |
| Copyright 2013, Digilent Inc. |                 | Author: GMA     |
| SHEET:USB, Power Supply       |                 | Rev: E.0        |
| TITLE: Cmod CK1               |                 | Date: 4/18/2013 |
| Doc#:500-269                  | Date: 4/18/2013 | Sheet: 3/3      |