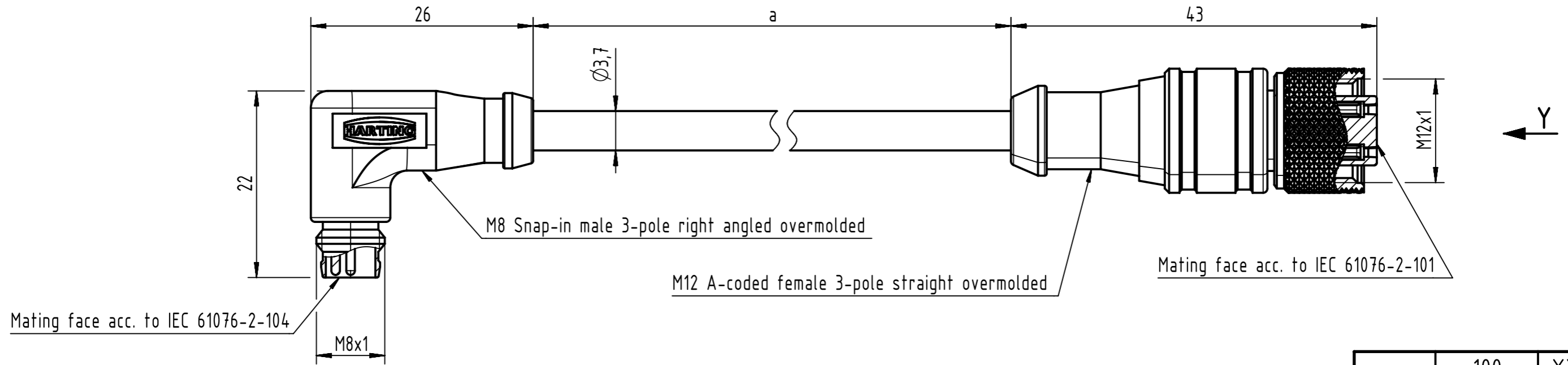


Connector Location A

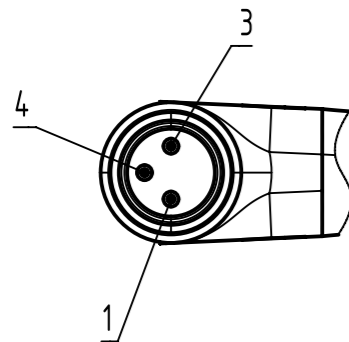
Connector Location B



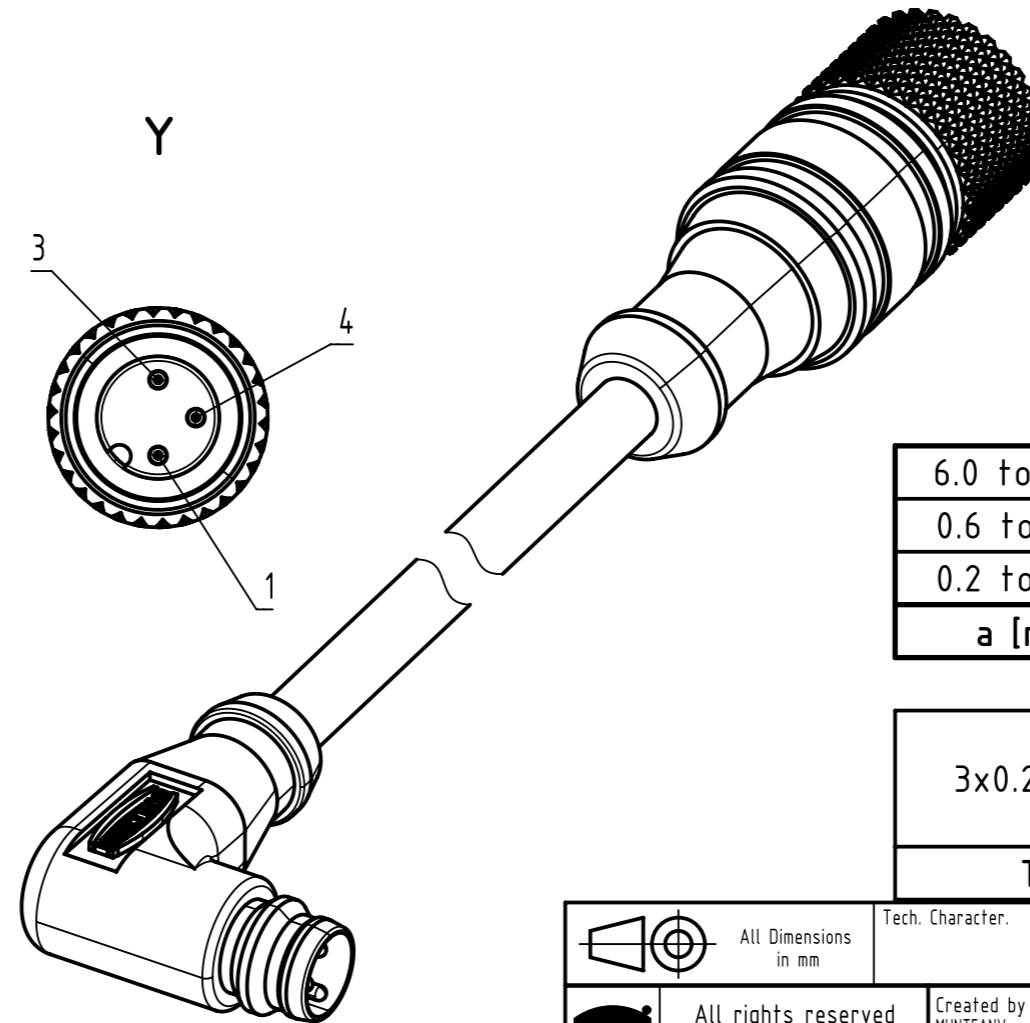
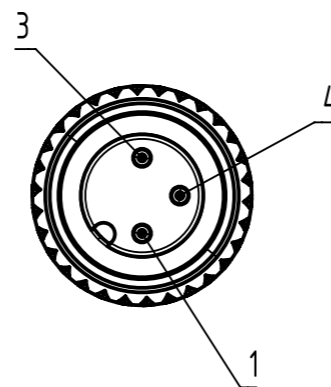
X

Y

Loading-Plan:



- 1 — Brown — 1
- 3 — Blue — 3
- 4 — Black — 4



6.0 to 100	±1%
0.6 to 5.9	+0.04
0.2 to 0.5	+0.02
<b>a [m]</b>	<b>Tolerance</b>

length in "1m" step	100	XXX=000
	99	XXX=990
	·	·
	12	XXX=120
	11	XXX=110
length in "0.1m" step	10	XXX=100
	9.9	XXX=099
	9.8	XXX=098
	·	·
	0.5	XXX=005
	0.4	XXX=004
	0.3	XXX=003
	0.2	XXX=002
<b>Step</b>	<b>a [m]</b>	<b>XXX</b>

3x0.25mm <sup>2</sup> , PUR, black	2136D3D4328XXX
<b>Type of cable</b>	<b>Part no.</b>

- Protection level: IP 65
- Temperature range: -40°C...+85°C

	All Dimensions in mm	Tech. Character.		Free size tol.		According to production drawing	
	All rights reserved Department HCS - RO	Created by MUNTEANV Muntean	Inspected by MUNTEANV Muntean	Standardisation MUNTEANV Muntean	Date 2018-06-08	State Final Release	
HARTING Customised Solutions D-32339 Espelkamp		Title M8 Cable Assembly		Doc-Key / ECM-Nr. 100710198/UGD/000/C 500000136135		Rev. C	Page 1/1
		Type TB	Number 2136D3D4328XXX				