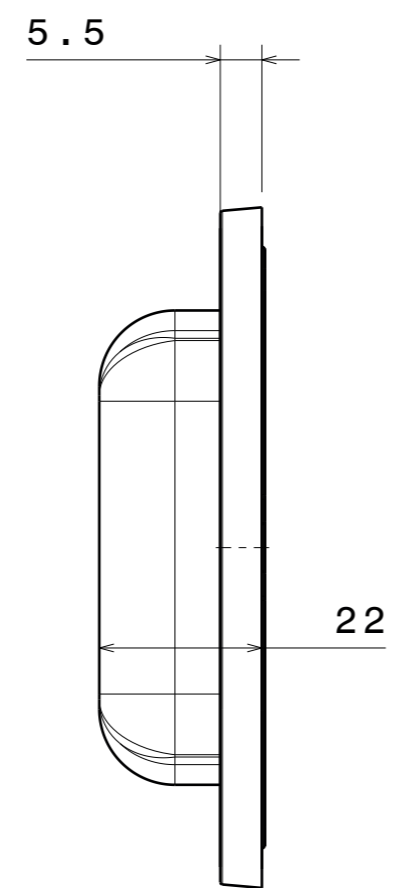
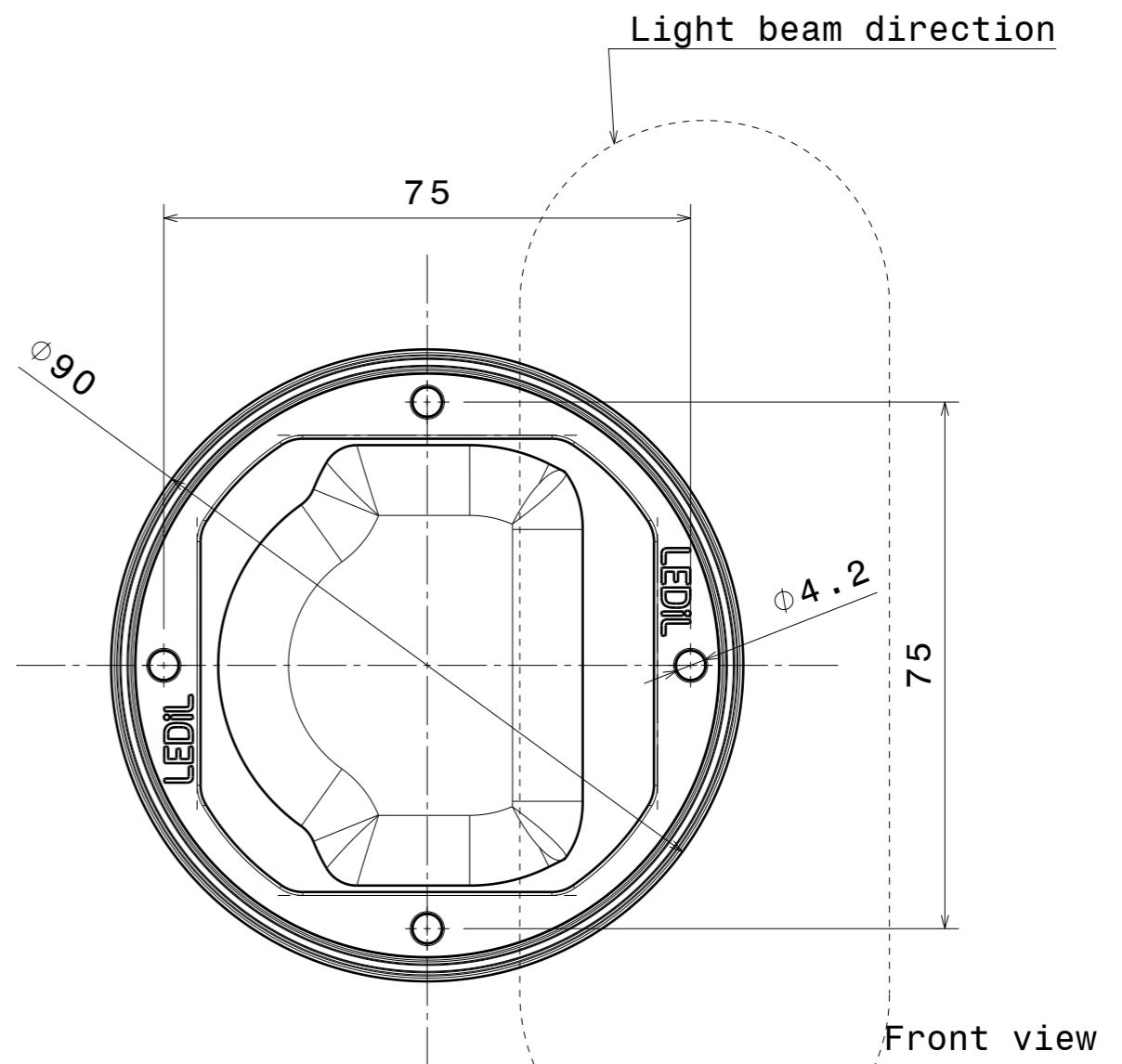


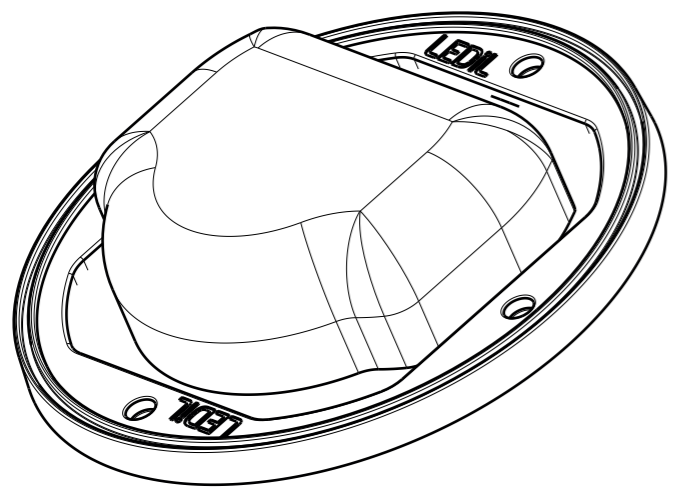
Bottom view



Right view



Front view



Isometric view

NOTE: Maximum recommended tightening torque for STELLA-FRAME is 0,4Nm

| INDEX | PART NO | DESCRIPTION | MATERIAL | COLOUR |
|-------|---------|------------------|-------------------|--------|
| 1 | F13321 | STELLA-A | Optical grade LSR | |
| | F14252 | STELLA-FRAME-WHT | PA66GF30 | white |

Tolerances if not otherwise shown
According to DIN ISO 2768-1
Linear measures: class V
Please note that due to the elasticity of products made of silicone actual measured values may vary, and therefore typical tolerance values may not be applied.

LEDiL LediL Oy
Salorankatu 10
FIN 24240 SALO
Finland

THIRD ANGLE PROJECTION:

DRAWING TITLE
FN14253_STELLA-A

This drawing is the property of LEDiL Oy. It may not be reproduced, copied or communicated without a written agreement with LEDiL Oy.

SIZE PART NUMBER
A3 FN14253

SCALE 1:1 WEIGHT 58 g SHEET 1/1