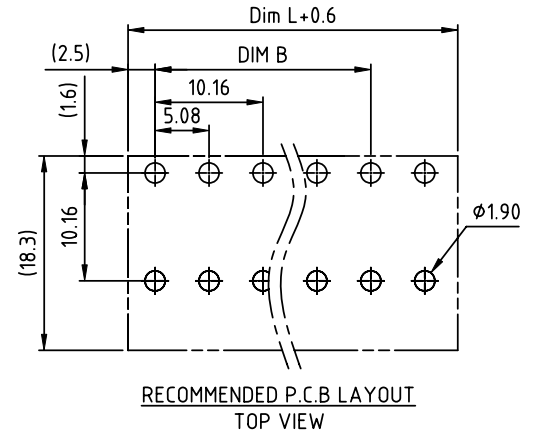
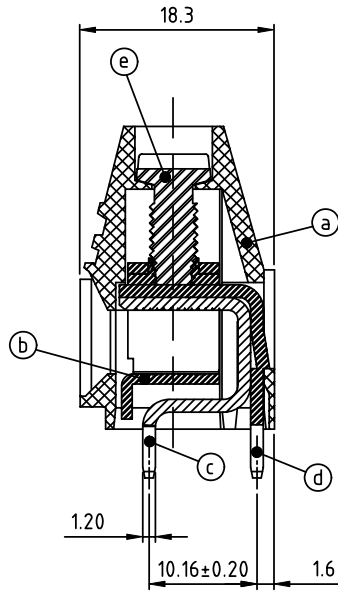
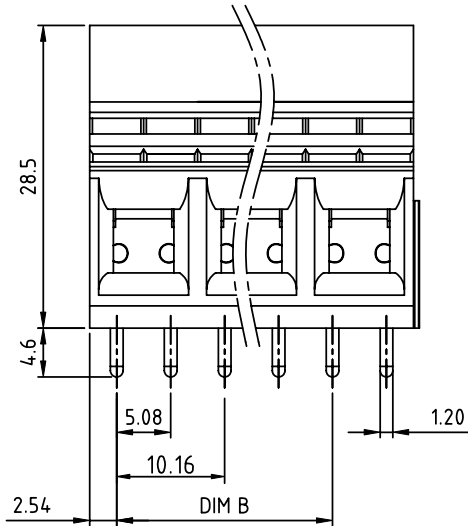
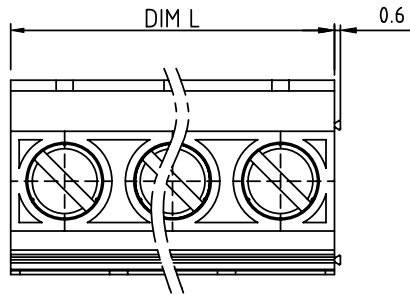


PRODUCT NUMBER	PITCH
VPxx65x500J0G	10.16 mm



- Material:
- Item①Terminal housing :Thermoplastic (UL 94V-0)
 - Item②Clamp : Steel stamping , Zinc plated
 - Item③Solder pin1: Copper , Tin plated
 - Item④Solder pin2 : Copper , Tin plated
 - Item⑤Terminal screw: Steel Zinc plating"- "slot type

- Electrical cULus IEC
- Voltage rating : 300V 250V
 - Current rating : 65A 57A
 - Wire range :
 - Solid wire (AWG) : 6-20 / 0.5-16mm²
 - Stranded wire (AWG) : 6-20 / 0.5-16mm²
 - Torque : 19 Lb-In / 1.2 N.m
 - Screw : M4.5
 - Wire strip length : 10-11mm
 - Withstanding voltage : 1.6KV / 4KV
 - Operating temperature : -40°C+115°C
 - Soldering temperature : 260°C+5°C/5 Sec
 - Safety Approval : cULus

PART NO.: VP xx 6 5 x 5 00J0 G

N = Number of poles
Dim L=N×10.16
Dim B=(N-1)×10.16

Poles	Tolerance
2-4p	±0.15
5-8p	±0.25
9-12p	±0.35

End Stackable
No. of poles
02 2 poles
03 3 poles
... ..
12 12 poles

Body Color
0 Black (RAL9005)
2 Red (RAL3001/D)
3 Orange(RAL2011/P)
4 Yellow(RAL1018/A)
5 Green(RAL6018/T)
6 Blue (RAL5015/A)
8 Grey(RAL7035/D)
9 White(RAL1102)
C Green(RAL6018/U)

RoHS compliant
(lead<4%)
In copper Alloy

mat'l. code		surface ASME Y14.5	tolerance ASME Y14.5	projection	product family TERMINAL BLOCK	
ltr	ecn no	dr	date	 MM	title TERMINAL BLOCK	
tolerances unless otherwise specified					scale	RISING CLAMP,DOUBLE PARALLEL TAIL TYPE
angles		X.±0.5			dwg no	
X°±1'		X.XX±0.1			sheet 1 of 1 size	
dr		EVIN ZHONG 041414			VPxx65x500J0G A4	
enr		EVIN ZHONG 041414			type	
chr		HANKE FENG 041414		CUSTOMER Drawing		
appd		SHI JUN 041414				
sheet index	revision sheet	A 1				