

Accessories - Capacitors

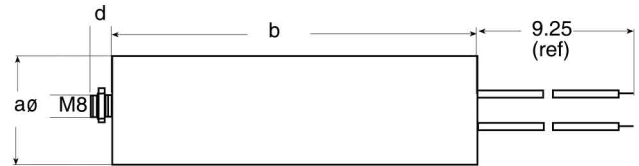
CAPACITORS

Part Number	Size (mfd)	Temp. Range (°C)	Housing Type	Max. Dim in. (mm)		
				a	b	d
02100-4-7320	1	-25 to +85	Plastic	1.1 (28)	2.2 (55)	0.5 (12)
99282-4-7320	1.5	-25 to +85	Alum	1.1 (28)	2.2 (55)	0.5 (12)
99283-4-7320	2	-25 to +85	Plastic	1.1 (28)	2.2 (55)	0.5 (12)
02103-4-7320	2.5	-25 to +85	Plastic	1.1 (28)	2.2 (55)	0.5 (12)
68462-4-7320	3	-25 to +85	Plastic	1.1 (28)	2.2 (55)	0.5 (12)
99284-4-7320	4	-25 to +85	Plastic	1.3 (32)	2.2 (55)	0.5 (12)
02101-4-7320	5	-25 to +85	Plastic	1.4 (36)	2.3 (58)	0.5 (12)
99285-4-7320	6	-25 to +85	Alum	1.4 (36)	2.8 (70)	0.5 (12)
99286-4-7320	8	-25 to +85	Plastic	1.6 (40)	2.6 (67)	0.5 (12)
99287-4-7320	10	-25 to +85	Plastic	1.6 (40)	2.8 (70)	0.5 (12)

(For larger sizes consult factory)

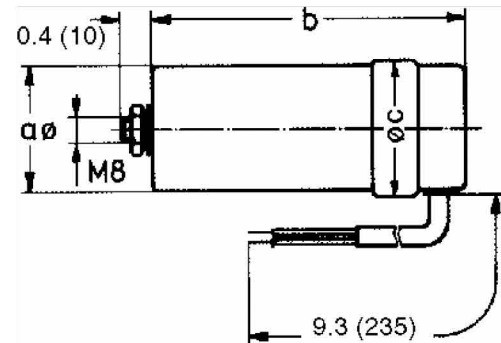
HOW TO USE CAPACITORS FOR MULTI-SPEED BLOWERS

It is possible to make any ebm blower with a PSC motor a multi-speed blower by adding a second or third capacitor on the load line (blue) at or near the value of the motor run capacitor. Actual capacitor value and RPM achieved are dependent on the nature of each application.



METAL CAPACITORS

Part Number	Size (mfd)	Temp. Range (°C)	Max. Dim in (mm)		
			a	b	c
2151-4-7320	1	-25 to +85	1.0 (25)	2.9 (74)	1.1 (29)
2155-4-7320	1.5	-25 to +85	1.0 (25)	2.9 (74)	1.1 (29)
2156-4-7320	2	-25 to +85	1.0 (25)	2.9 (74)	1.1 (29)
2159-4-7320	2.5	-25 to +85	1.2 (30)	2.8 (71)	1.3 (34)
2160-4-7320	3	-25 to +85	1.2 (30)	3.9 (99)	1.3 (34)
2161-4-7320	4	-25 to +85	1.2 (30)	4.1 (104)	1.3 (34)
2162-4-7320	5	-25 to +85	1.4 (35)	4.1 (104)	1.5 (39)
2163-4-7320	6	-25 to +85	1.4 (35)	4.0 (101)	1.5 (38)
2164-4-7320	7	-25 to +85	1.6 (40)	4.0 (101)	1.7 (43)
2165-4-7320	8	-25 to +85	1.4 (35)	4.0 (101)	1.5 (38)
2166-4-7320	10	-25 to +85	1.4 (35)	3.9 (99)	1.5 (39)
2167-4-7320	12	-25 to +85	1.6 (40)	3.9 (99)	1.7 (43)
2168-4-7320	16	-25 to +75	1.8 (46)	6.3 (160)	1.9 (48)
2169-4-7320	20	-25 to +75	1.8 (46)	6.3 (160)	1.9 (48)
2170-4-7320	25	-25 to +75	1.8 (46)	6.3 (160)	1.9 (48)



ebmpapst

e-mail: sales@us.ebmpapst.com • TEL: 860-674-1515 • FAX: 860-674-8536

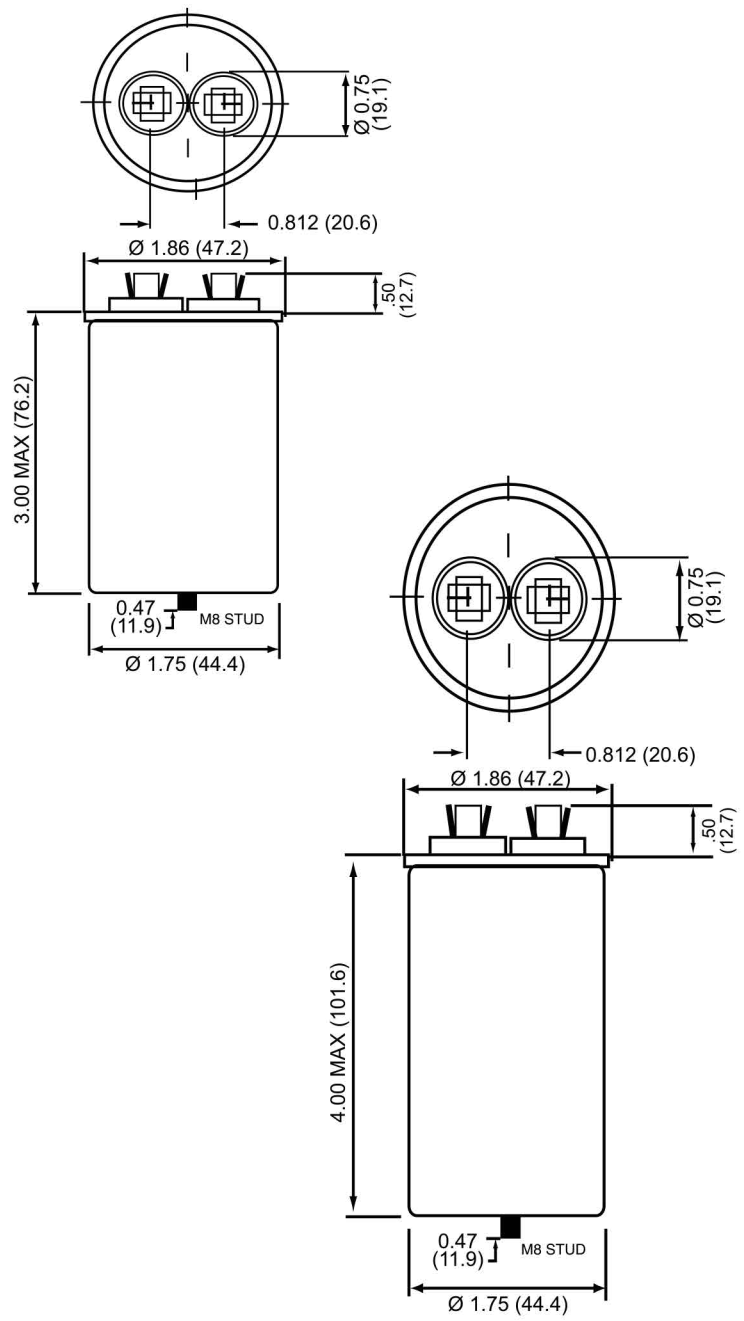
ebm-papst Inc., 100 Hyde Road, Farmington, CT 06034 USA

ebm-papst Inc., 2006 © ebm-papst Inc. reserves the right to change any specifications or data without notice

Accessories - Metal Capacitors

with UL, CSA and VDE Approvals

Part Number	Size (mfd)	Temp Range °C
450-20-0017	1	-20 to +85
450-20-0018	1.5	-20 to +85
450-20-0019	2	-20 to +85
450-20-0020	2.5	-20 to +85
450-20-0021	3	-20 to +85
450-20-0022	4	-20 to +85
450-20-0023	5	-20 to +85
450-20-0024	6	-20 to +85
450-20-0025	7	-20 to +85
450-20-0026	8	-20 to +85
450-20-0027	10	-20 to +85
450-20-0028	12	-20 to +85

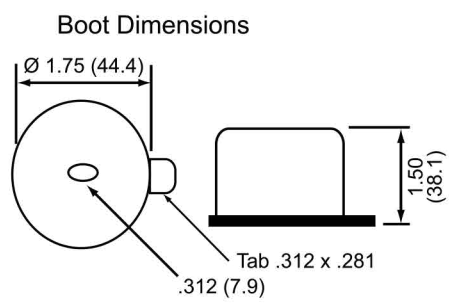


LARGER SIZE (see drawing)

Part Number	Size (mfd)	Temp Range °C
450-20-0029	16	-20 to +85
450-20-0030	20	-20 to +85
450-20-0031	25	-20 to +85
450-20-0033	30	-20 to +85
450-20-0034	40	-20 to +85

Part Number for Boot	710-00-0042
----------------------	-------------

* UL File # for capacitors E133000(N)
 CSA File # for capacitors LR96263
 UL File # for Boot SA6016(N)



e-mail: sales@us.ebmpapst.com · TEL: 860-674-1515 · FAX: 860-674-8536
 ebm-papst Inc., 100 Hyde Road, Farmington, CT 06034 USA
 ebm-papst Inc., 2006 © ebm-papst Inc. reserves the right to change any specifications or data without notice