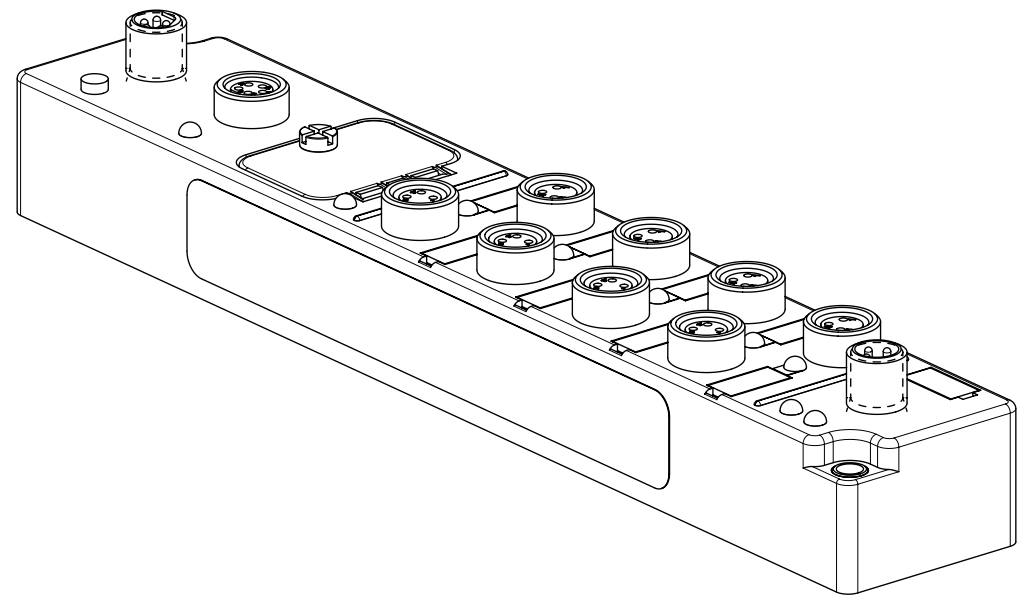
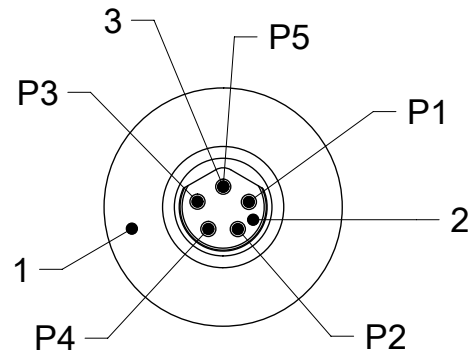


2x FIXING HOLES
SUITABLE FOR M4
SCREWS



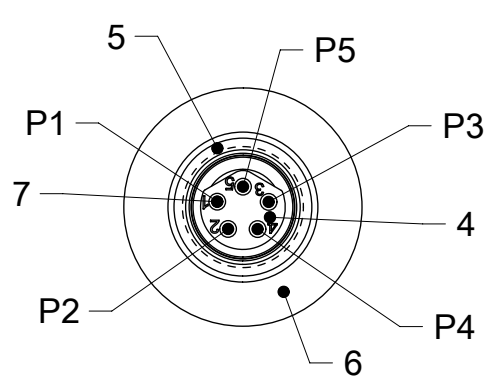
THIS DRAWING CONTAINS INFORMATION THAT IS PROPRIETARY TO MOLEX INCORPORATED AND SHOULD NOT BE USED WITHOUT WRITTEN PERMISSION											
EC DESCRIPTION EC NO: 101382 DRWN: AAHLERS CHK'D: RSILLER APP: RSILLER	2015/10/08	2015/10/16	2015/10/16	QUALITY SYMBOLS ▽ = 0 ▽ = 0 ▽ = 0 ▽ = 0 ▽ = 0 ▽ = 0 ▽ = 0 ▽ = 0 ▽ = 0 ▽ = 0	GENERAL TOLERANCES (UNLESS SPECIFIED)		DIMENSION UNITS	SCALE			
	ANGULAR TOL ±		mm		1:1						
	4 PLACES ±	3 PLACES ±	DRWN BY		DATE	DBO DN FULL M8 POWER 30 MM M8 5P MA AC M8 5P FE AC M8 3P 8PT FE M8 3P MA					
	2 PLACES ±	1 PLACE ±	ULETTENMEIER		2015/03/24						
0 PLACES ±	DRAFT WHERE APPLICABLE MUST REMAIN WITHIN DIMENSIONS	CHK'D BY	DATE	PRODUCT CUSTOMER DRAWING							
DRWING SIZE	THIRD ANGLE PROJECTION	APPR BY	DATE				SERIES	MATERIAL NUMBER	CUSTOMER		
A1	REVISION	A3	RSILLER	2015/05/20	112092	SEE TABLE 1,2	GENERAL MARKET				
					DOCUMENT NUMBER		DOC TYPE	DOC PART	SHEET NUMBER		
					1120925010		PSD	000	1 OF 4		

A
BUS IN:
1x MALE M8 5P B-CODE



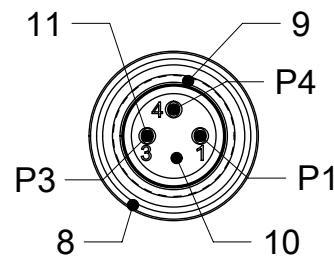
Wiring Information:
P1: Drain (Shield)
P2: 24VDC
P3: CAN_H
P4: 0VDC
P5: CAN_L

B
BUS OUT:
1x FEMALE M8 5P B-CODE



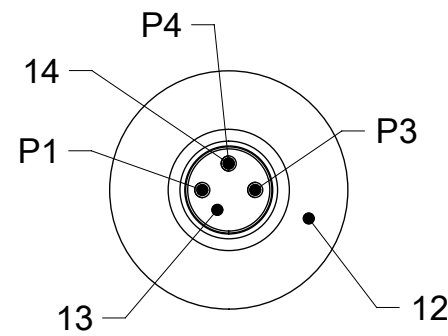
Wiring Information:
P1: Drain (Shield)
P2: 24VDC
P3: CAN_H
P4: 0VDC
P5: CAN_L

C
INPUT / OUTPUT:
8x FEMALE M8 3P



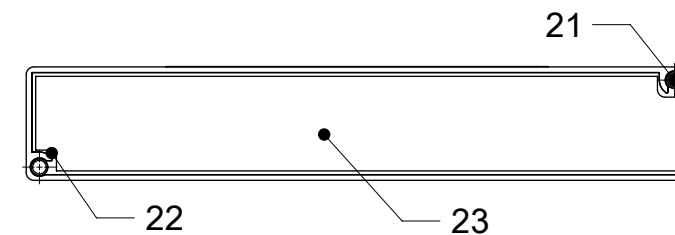
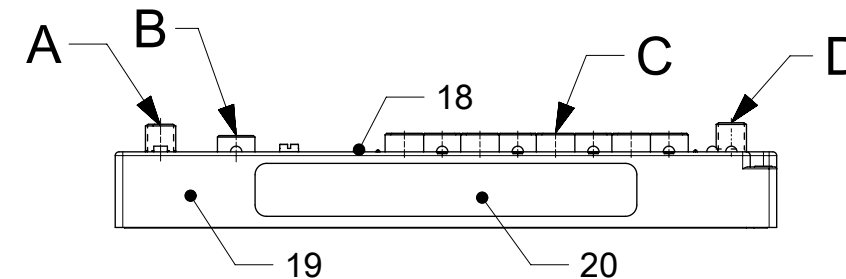
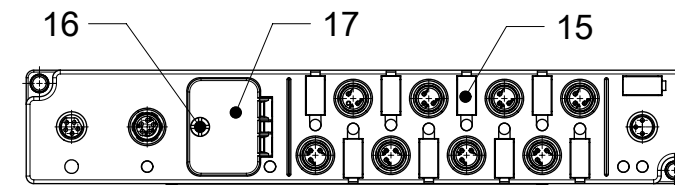
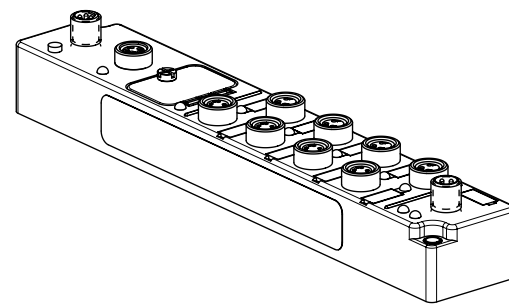
Wiring Information:
P1: Input Power supply
P3: GND
P4: Input / Output

D
POWER
1X MALE M8 3P

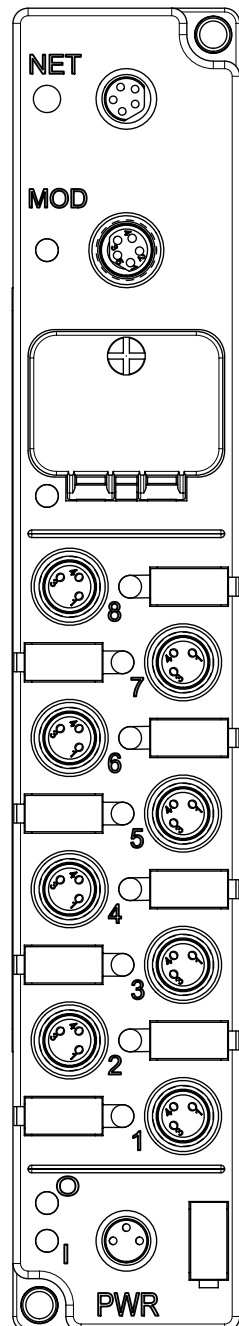


P1: +24 VDC Module Output power
P3: 0V (Ground)
P4: PE (Protected Earth)

ITEM	DESCRIPTION	MATERIAL	FINISH
1	SHELL	BRASS	NICKEL PLATET
2	INSERT	TPU	TRANSPARENT
3	CONTACT	COPPER ALLOY	GOLD OVER NICKEL
4	INSERT	TPU	BLACK
5	GASKET	FKM	RED
6	SHELL	BRASS	NICKEL PLATET
7	CONTACT	COPPER ALLOY	GOLD OVER NICKEL
8	SHELL	BRASS	NICKEL PLATET
9	GASKET	FKM	RED
10	INSERT	TPU	BLACK
11	CONTACT	COPPER ALLOY	GOLD OVER NICKEL
12	SHELL	BRASS	NICKEL PLATET
13	INSERT	PA	TRANSPARENT
14	CONTACT	COPPER ALLOY	GOLD OVER NICKEL
15	LABEL	PC	WHITE
16	SCREW	V2A	V2A
17	WINDOW	PC	TRANSPARENT
18	LED	PA	TRANSPARENT
19	HOUSING	PBT	BLACK
20	LABEL	PVC	YELLOW
21	SLEEVE	BRASS	NICKEL
22	RESIN	EPOXY	TRANSPARENT
23	LABEL	PVC	WHITE



THIS DRAWING CONTAINS INFORMATION THAT IS PROPRIETARY TO MOLEX INCORPORATED AND SHOULD NOT BE USED WITHOUT WRITTEN PERMISSION											
EC DESCRIPTION EC NO: 101382 DRWN: AAHLERS CHK'D: RSILLER APPR: RSILLER	2015/10/08	QUALITY SYMBOLS ▽ = 0 ▽ = 0 ▽ = 0 ▽ = 0 ▽ = 0 ▽ = 0 ▽ = 0 ▽ = 0 ▽ = 0	GENERAL TOLERANCES (UNLESS SPECIFIED)		DIMENSION UNITS		SCALE				
	2015/10/16		ANGULAR TOL ± °		mm	1:1					
	2015/10/16		4 PLACES ±	DRWN BY	DATE	ULETTENMEIER 2015/03/24					
	2015/10/16		3 PLACES ±	CHK'D BY	DATE						
			2 PLACES ±	APPR BY	DATE	RSILLER 2015/05/20		PRODUCT CUSTOMER DRAWING			
			1 PLACE ±	DRAWING SIZE	THIRD ANGLE PROJECTION	A3		SERIES	MATERIAL NUMBER	CUSTOMER	
			0 PLACES ±	DRAFT WHERE APPLICABLE MUST REMAIN WITHIN DIMENSIONS				112092	SEE TABLE 1,2	GENERAL MARKET	
A1	REV							DOCUMENT NUMBER	DOC TYPE	DOC PART	SHEET NUMBER
								1120925010	PSD	000	2 OF 4



8 OUT

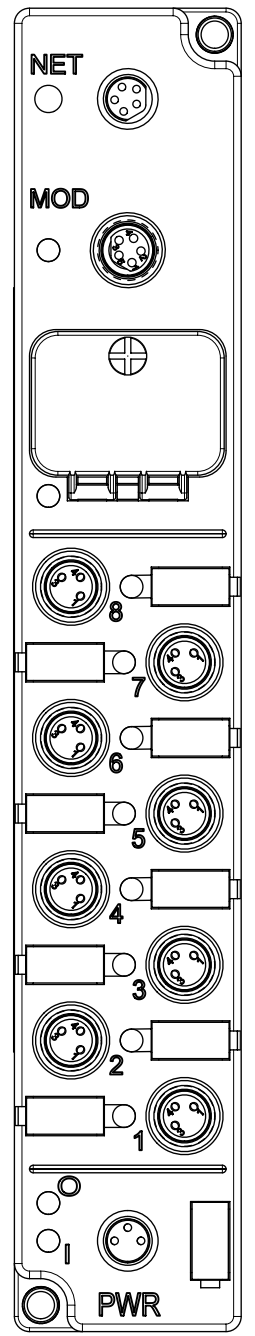
TABLE 1 8 OUT					
DeviceNet Full M8 POWER					
POWER TYPE	INPUT / OUTPUT		ENG.NO.	MOLEX P/N	3D MODEL NO.
M8 3 POLE	PNP	8O	TBDDN-808P-H44	1120925010	1120925010 (PDM)

THIS DRAWING CONTAINS INFORMATION THAT IS PROPRIETARY TO MOLEX INCORPORATED AND SHOULD NOT BE USED WITHOUT WRITTEN PERMISSION

EC DESCRIPTION EC NO: 101382 DRWN: AAHLERS CHK'D: RSILLER APPR: RSILLER 2015/10/08 2015/10/16 2015/10/16	QUALITY SYMBOLS	GENERAL TOLERANCES (UNLESS SPECIFIED) ANGULAR TOL ± ° 4 PLACES ± 3 PLACES ± 2 PLACES ± 1 PLACE ± 0 PLACES ± DRAFT WHERE APPLICABLE MUST REMAIN WITHIN DIMENSIONS	DIMENSION UNITS	SCALE			
	▽ = 0		mm	1:1			
	∇ = 0		DRWN BY	DATE		ULETTENMEIER 2015/03/24	
	∇ = 0		CHK'D BY	DATE			
	▼ = 0		APPR BY	DATE		RSILLER 2015/05/20	
∇ = 0	■ = 0	DRAFTING SIZE	THIRD ANGLE PROJECTION	SERIES	MATERIAL NUMBER	CUSTOMER	
∇ = 0	▽ = 0	A3		112092	SEE TABLE 1,2	GENERAL MARKET	
A1	REV			DOCUMENT NUMBER	DOC TYPE	DOC PART	SHEET NUMBER
				1120925010	PSD	000	3 OF 4

9 8 7 6 5 4 3 2 1

E
D
C
B
A



4 IN / 4 OUT

TABLE 2 4 IN / 4 OUT				
		DeviceNet Full M8 Power		
POWER TYPE	INPUT / OUTPUT	ENG.NO.	MOLEX P/N	3D MODEL NO.
M8 3 POLE	PNP 4 IN / 4 OUT	TBDDN-844P-H44	1120925013	1121015010 (PDM)

THIS DRAWING CONTAINS INFORMATION THAT IS PROPRIETARY TO MOLEX INCORPORATED AND SHOULD NOT BE USED WITHOUT WRITTEN PERMISSION

EC DESCRIPTION EC NO: 101382 DRWN: AAHLERS CHK'D: RSILLER APPR: RSILLER 2015/10/08 2015/10/16 2015/10/16	QUALITY SYMBOLS	GENERAL TOLERANCES (UNLESS SPECIFIED) ANGULAR TOL ± ° 4 PLACES ± 3 PLACES ± 2 PLACES ± 1 PLACE ± 0 PLACES ± DRAFT WHERE APPLICABLE MUST REMAIN WITHIN DIMENSIONS	DIMENSION UNITS	SCALE			
	▽ = 0		mm	1:1			
	∇ = 0		DRWN BY	DATE		ULETTENMEIER 2015/03/24	
	∇ = 0		CHK'D BY	DATE			
	▼ = 0		APPR BY	DATE		RSILLER 2015/05/20	
∇ = 0	□ = 0	DRAFTING SIZE	THIRD ANGLE PROJECTION	SERIES	MATERIAL NUMBER	CUSTOMER	
∇ = 0	■ = 0	A3		112092	SEE TABLE 1,2	GENERAL MARKET	
A1	∇ = 0			DOCUMENT NUMBER	DOC TYPE	DOC PART	SHEET NUMBER
				1120925010	PSD	000	4 OF 4

9 8 7 6 5 4 3 2 1