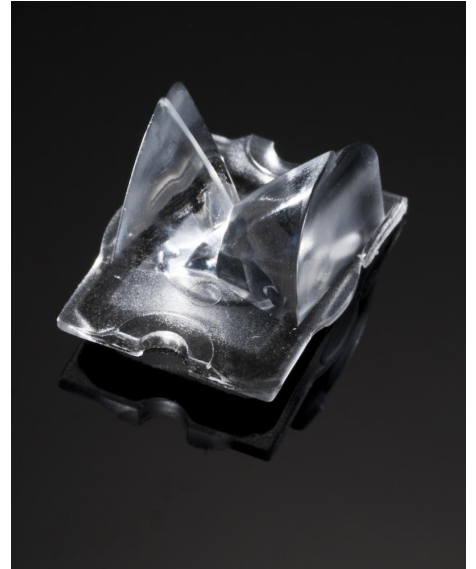


DETAILS

Product Number	2FA11993_STRADA-T-DW-EP
Family	Strada
Type	Assembly
Color	clear
Diameter	19,6 x 15,5 mm
Height	10,7 mm
Style	rectang
Optic Material	PMMA
Holder Material	
Fastening	tape, screw
Status	production ready
ROHS Compliant	Yes
Date Updated	8/03/2014



OPTICAL PROPERTIES

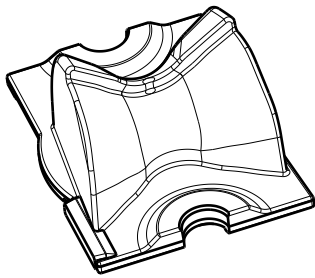
LED	Viewing Angle	Light Beam	Efficiency	cd/lm	Connector
XP-E	Asymmetric deg	Streetligh...	92 %	-	-
XP-G	Asymmetric deg	Streetligh...	92 %	-	-
H35C0 (LEMWA33)	Asymmetric deg	Streetligh...	91 %	0.750	-
LUXEON Rebel	Asymmetric deg	Streetligh...	92 %	-	-
LUXEON Rebel ES	Asymmetric deg	Streetligh...	92 %	-	-
NCSxx19A	Asymmetric deg	Streetligh...	92 %	-	-
NVSxx19A	Asymmetric deg	Streetligh...	92 %	-	-
Oslon SSL 80	Asymmetric deg	Streetligh...	92 %	-	-
Oslon SSL 150	Asymmetric deg	Streetligh...	92 %	-	-
Z5	Asymmetric deg	Streetligh...	92 %	-	-
Double Dome (GM2BB)	Asymmetric deg	Streetligh...	92 %	-	-

D

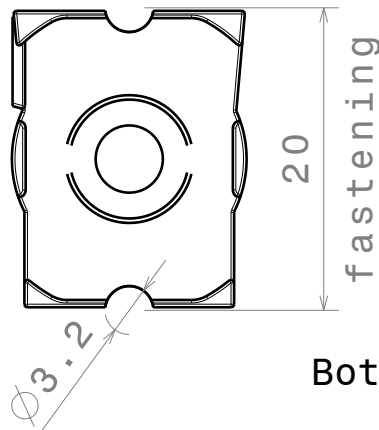
C

B

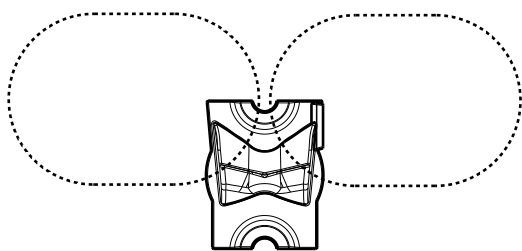
A



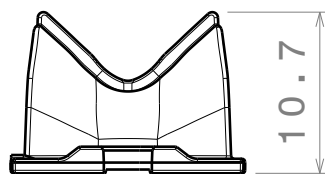
Isometric view



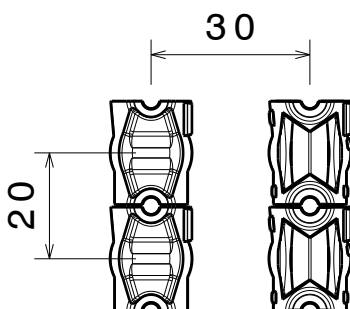
Bottom view



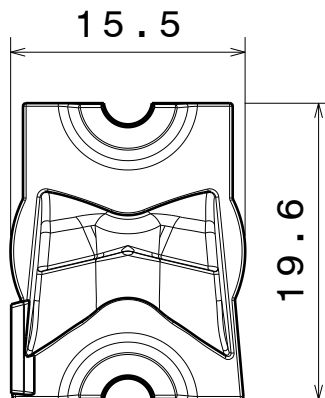
Beam direction



Front view



Strada lens arrangement recommendation



Top view

MATERIALS
 Lens: PMMA
 Tape(optional): PU Foam

Part no. with tape fastening: CA11993_Strada-T-DW

This drawing is our property.
 It can't be reproduced
 or communicated without
 our written agreement.



Ledil Oy
 Tehdaskatu 13
 FIN-24100 SALO
 Finland

DRAWING TITLE

Datasheet Strada-T-DW-EP Lens

DRAWN BY

pv

DATE

5.9.2011

CHECKED BY

j1

DATE

5.9.2011

SIZE

A4

DRAWING NUMBER

C11898

REV

1

DESIGNED BY

hh

DATE

17.05.2010

SCALE

2:1

WEIGHT (g)

SHEET

1/1

D

A

4

4

3

3

2

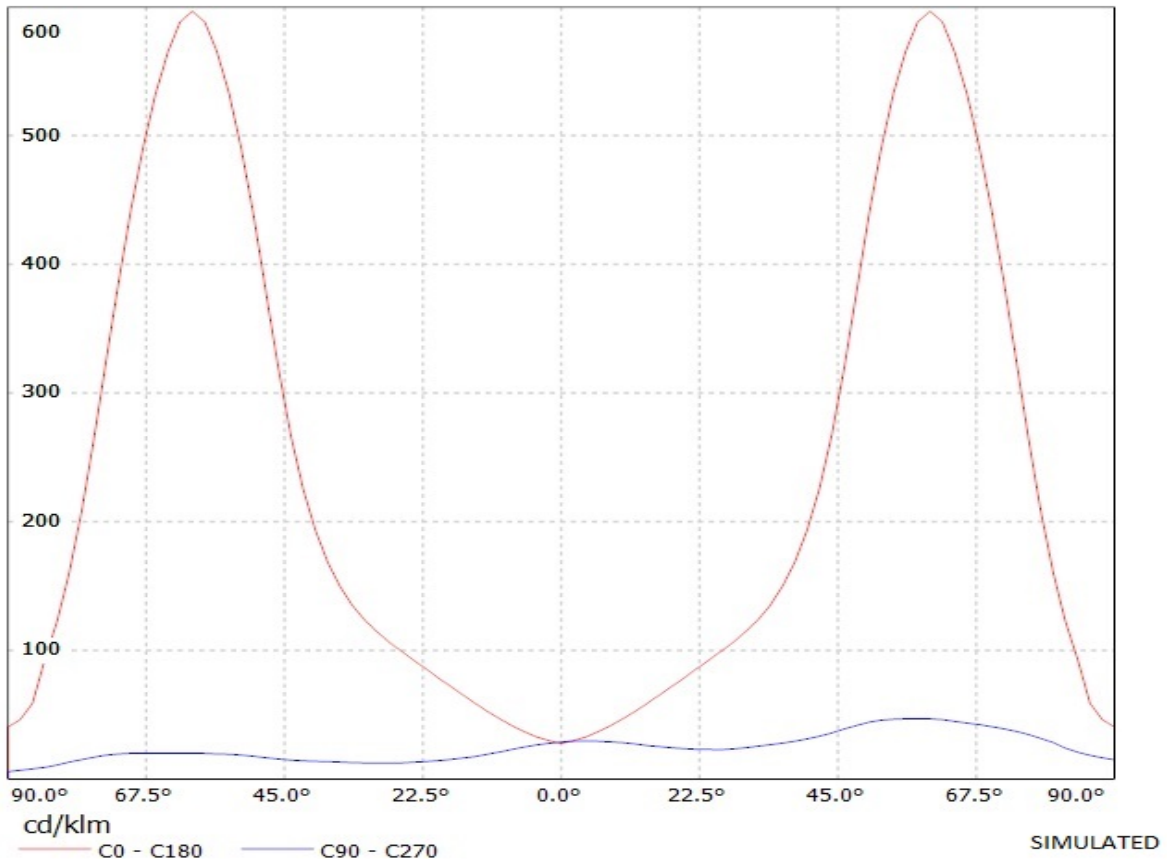
2

1

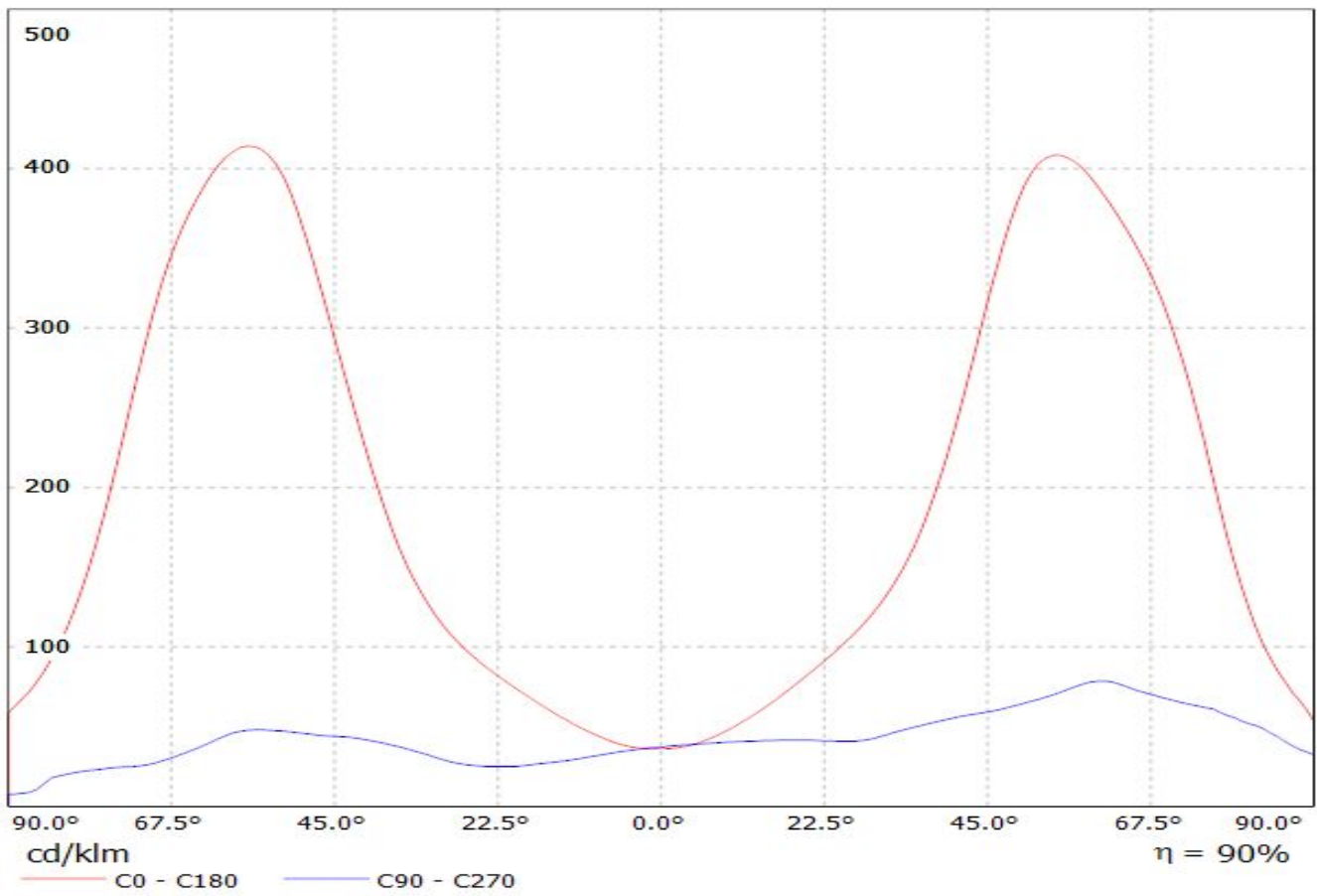
1

Ledil Oy C11425_Strada-T-DW-XP C11425_Strada-T-DW-XP / LDC (Linear)

Luminaire: Ledil Oy C11425_Strada-T-DW-XP C11425_Strada-T-DW-XP
Lamps: 1 x Cree XP-E (White)

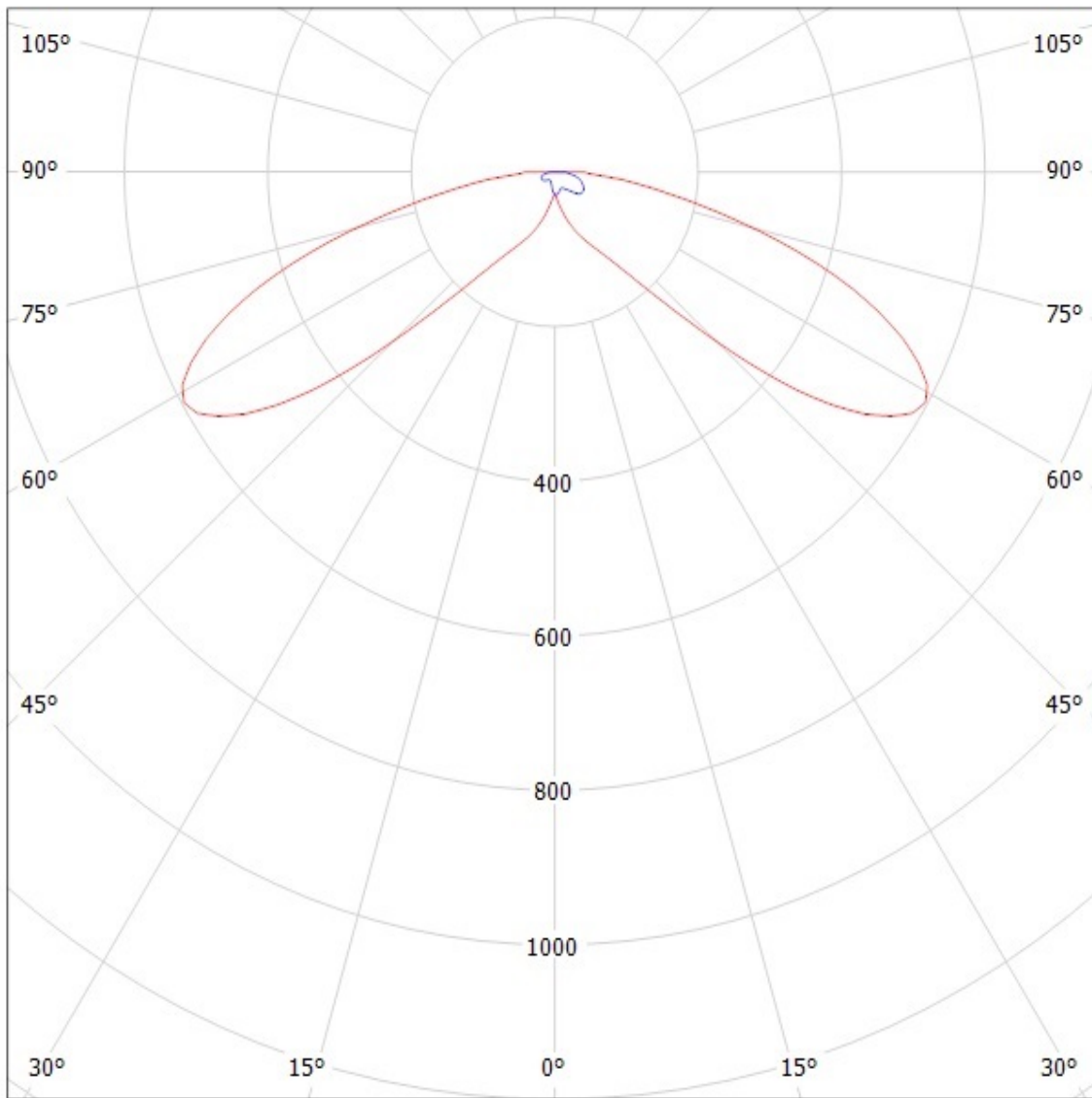


Luminaire: LEDiL Oy 2FA11993_STRADA-T-DW-EP_(LG3535) Eff. 90,4%
Lamps: 1 x LG Ceramic 3535 PKG (95lm@250mA)



Ledil Oy C11425_Strada-T-DW-XP C11425_Strada-T-DW-XP / LDC (Polar)

Luminaire: Ledil Oy C11425_Strada-T-DW-XP C11425_Strada-T-DW-XP
Lamps: 1 x Cree XP-E (White)



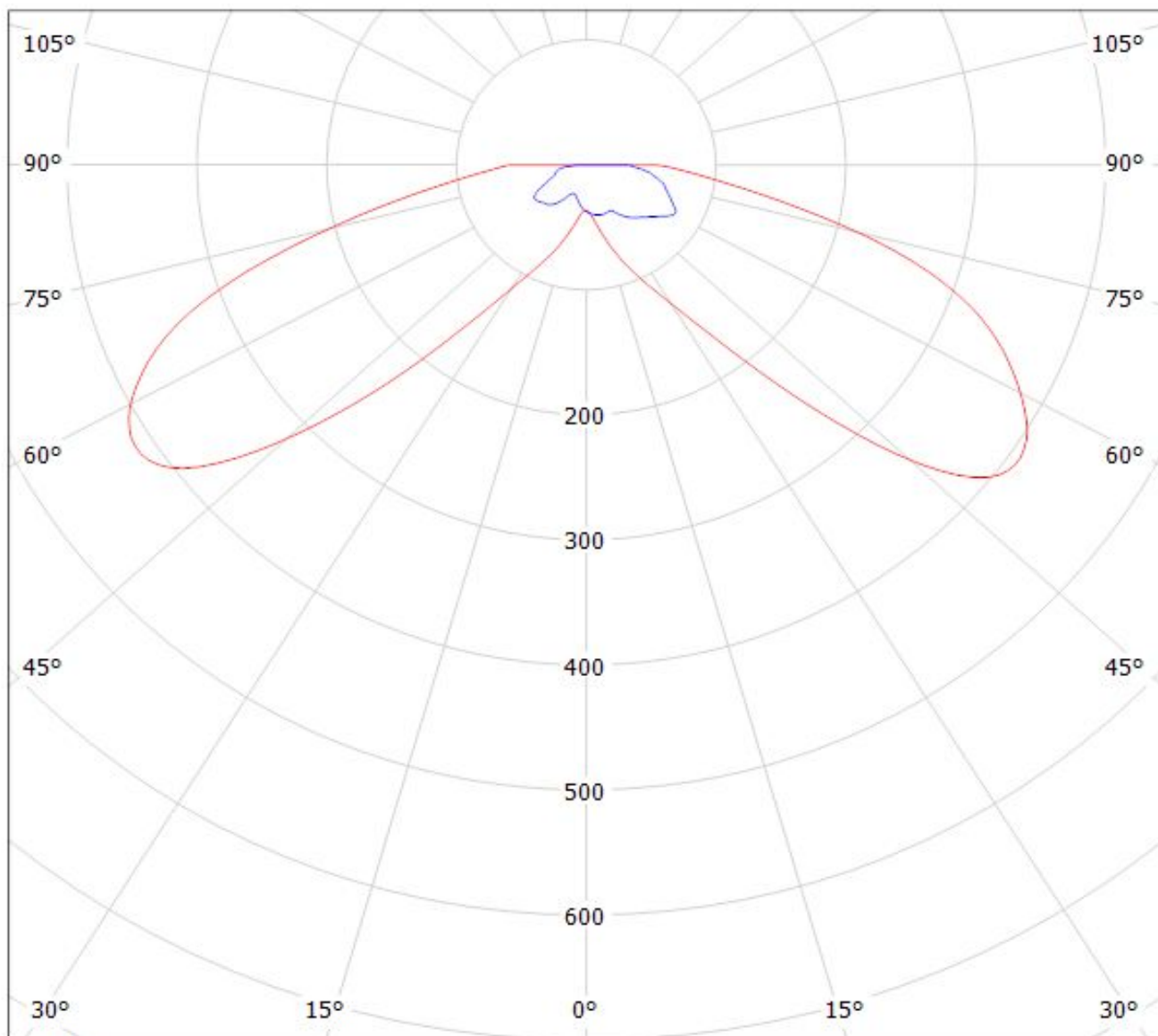
cd/klm

— C0 - C180 — C90 - C270

SIMULATED

Luminaire: LEDiL Oy 2FA11993_STRADA-T-DW-EP_(LG3535) Eff. 90,4%

Lamps: 1 x LG Ceramic 3535 PKG (95lm@250mA)



cd/klm

— C0 - C180

— C90 - C270

$\eta = 90\%$

NOTE: The typical divergence will be changed by different color, chip size and chip position tolerance. The typical total divergence is the full angle measured where the luminous intensity is half of the peak value.