

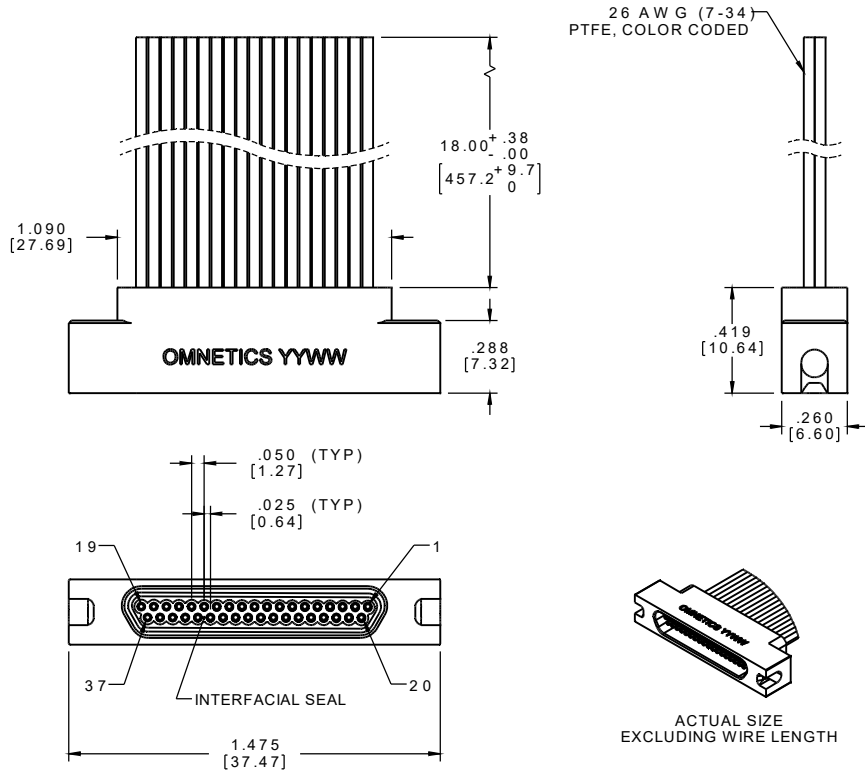
MATERIALS

- HOUSING:**
ALUMINUM 6061-T6, NICKEL PLATE
PER SAE-AMS-2404
- INSULATOR:**
LIQUID CRYSTAL POLYMER (LCP)
PER ASTM D5138
- CONTACT:**
COPPER ALLOY PER MIL-DTL-
83513, GOLD PLATED PER ASTM
B488, (HARD GOLD) TYPE II CODE
C CLASS 1.27
- WIRE:**
NEMA HP3 TYPE E, COLOR CODED
IAW MIL-STD-681, SYSTEM 1,
USING TEN SOLID REPEATING
COLORS
- INTERFACIAL SEAL:**
SILICONE RUBBER PER A-A-59588

| SOCKET # | COLOR |
|---------------|--------|
| 1, 11, 21, 31 | BLACK |
| 2, 12, 22, 32 | BROWN |
| 3, 13, 23, 33 | RED |
| 4, 14, 24, 34 | ORANGE |
| 5, 15, 25, 35 | YELLOW |
| 6, 16, 26, 36 | GREEN |
| 7, 17, 27, 37 | BLUE |
| 8, 18, 28 | VIOLET |
| 9, 19, 29 | GRAY |
| 10, 20, 30 | WHITE |

INTERNAL USE ONLY
USE MFG LOADING
PROCEDURE MMDS-037

| | | | | | |
|----------|------------|-----|-------|----------|-----|
| PART NO. | A99150-037 | REV | ECO | DATE | APP |
| | | B | 99774 | 08-12-13 | JMJ |



RoHS

NOTE:

DIMENSIONS IN [] ARE IN
MILLIMETERS UNLESS
OTHERWISE NOTED AND ARE
FOR REFERENCE ONLY

| | | | |
|---|--|--|--|
| THIRD ANGLE -TOLERANCES- UNLESS OTHERWISE NOTED DIMENSIONS IN INCHES 2 P L D E C ± .01 3 P L D E C ± .005 4 P L D E C ± .0005 ANGLE S ± 1° | DFTM. MJM DATE 04-09-12 | TITLE: (37) SOCKET FEMALE MICRO-D CONNECTOR W/LATCHES | CAGE CODE 61873 DWG NO. A99150-037 |
| | CHK'D. DATE | 7260 COMMERCE CIRCLE EAST MINNEAPOLIS, MN 55432 WWW.OMNETICS.COM | SHEET 1 OF 1 SCALE: 2:1 |
| | APP'D. DATE | OMNETICS CONNECTOR CORPORATION | REV B |
| | THIS DRAWING CONTAINS CONFIDENTIAL AND PROPRIETARY INFORMATION WHICH IS THE PROPERTY OF OMNETICS CONNECTOR CORP. THIS DOCUMENT MAY NOT IN WHOLE OR IN PART BE DUPLICATED, OR DISCLOSED FOR ANY PURPOSE, WITHOUT WRITTEN PERMISSION FROM OMNETICS CONNECTOR CORP. | | |