

4

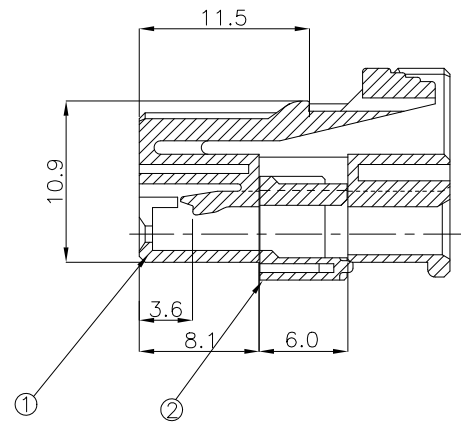
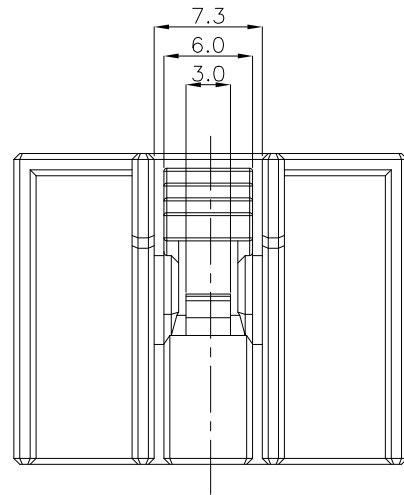
3

2

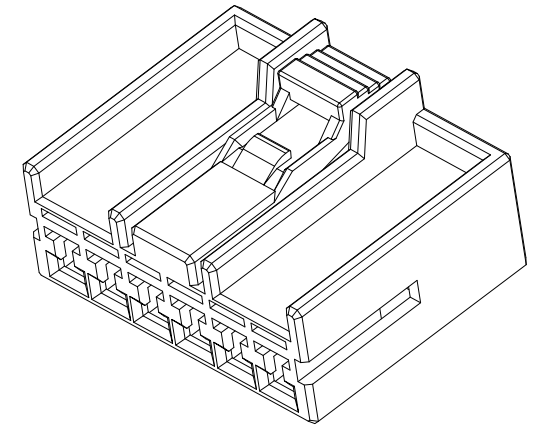
1

THIS DRAWING IS UNPUBLISHED. RELEASED FOR PUBLICATION
© COPYRIGHT BY TYCO ELECTRONICS CORPORATION, ALL RIGHTS RESERVED.

LOC	DIST	REVISIONS					
		P	LTR	DESCRIPTION	DATE	DWN	APVD
DS	-		B	REVISED (ECR-06-023160)	09.OCT.'06	BS	JK
			B1	REVISED (ECR-09-005043)	24.MAR.'09	KT	HG

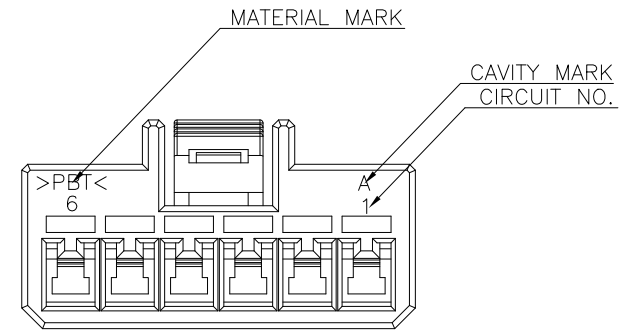
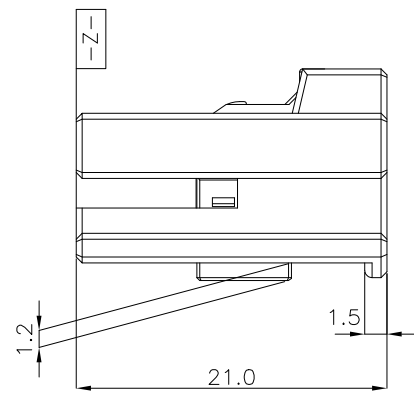
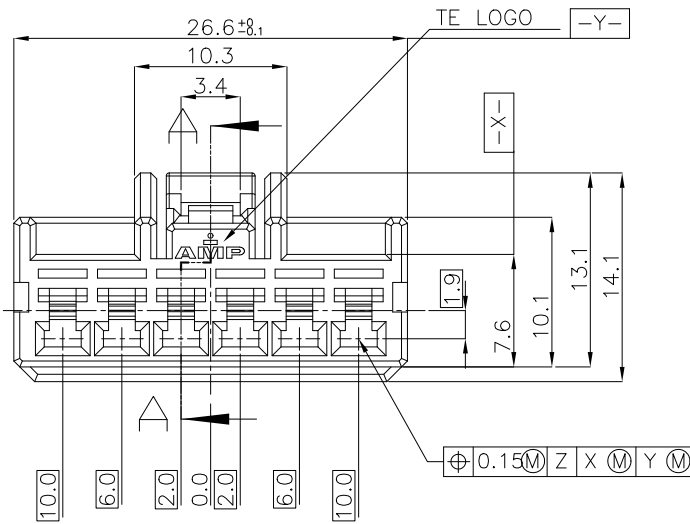


SECTION A - A



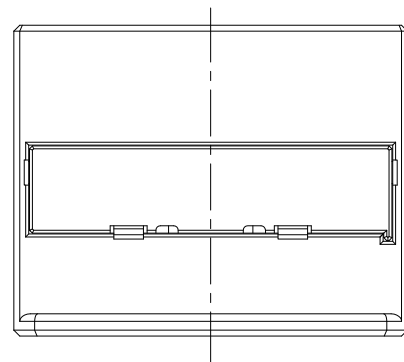
- NOTES:
 1. THE MATING HSG. P/N ; 936240
 2. APPLIED CONTACT P/N ;
 090 II REC.- 368083, 368084, 368085
 090 III REC.- 1743654, 1743655, 1743656, 1897753, 1897598

- 추가-
 1. 상대 하우징 P/N. : 936240
 2. 적용단자 P/N. : 090 II REC.- 368083, 368084, 368085
 090 III REC.- 1743654, 1743655, 1743656, 1897753, 1897598



ASSY P/N
0-936230-8
0-936230-5
0-936230-4
0-936230-3
0-936230-2
0-936230-1

NO	COLOR	MATERIAL	DESCRIPTION	P/N	QTY
1	BLUE	PBT	PLUG	0-936231-8	1
	YELLOW	PBT	PLUG	0-936231-5	1
	BROWN	PBT	PLUG	0-936231-4	1
	D/GRAY	PBT	PLUG	0-936231-3	1
	BLACK	PBT	PLUG	0-936231-2	1
2	NATURAL	PBT	DBL	0-936094-1	1 1 1 1 1 1



THIS DRAWING IS A CONTROLLED DOCUMENT FOR TYCO ELECTRONICS CORPORATION IT IS SUBJECT TO CHANGE AND THE CONTROLLING ENGINEERING ORGANIZATION SHOULD BE CONTACTED FOR THE LATEST REVISION.

DIMENSIONS: MM	TOLERANCES UNLESS OTHERWISE SPECIFIED: 0 <XX<10 ± 0.2 10<XX<30 ± 0.25 30<XX ± 0.3 ANGLES ± 3°	DWN KT JUNG CHK JW JUNG APVD HG CHD PRODUCT SPEC - APPLICATION SPEC - WEIGHT -	AMP KOREA, Kyungsan, Korea NAME 090III 6P PLUG ASS'Y (1ROW) SIZE A3 CAGE CODE 00779 DRAWING NO C-936230 RESTRICTED TO - CUSTOMER DRAWING SCALE 2/1 SHEET 1 OF 1 REV B1
MATERIAL SEE TABLE	FINISH		