

THIS DRAWING IS UNPUBLISHED. RELEASED FOR PUBLICATION 20
 © COPYRIGHT 20 BY TYCO ELECTRONICS CORPORATION. ALL RIGHTS RESERVED.

| LOC | DIST | REVISIONS | | | | | |
|-----|------|-----------|-----|-------------|-----------|-----|------|
| DS | - | P | LTR | DESCRIPTION | DATE | DWN | APVD |
| | | A | | RELEASED | 29.MAY'09 | SC | JK |

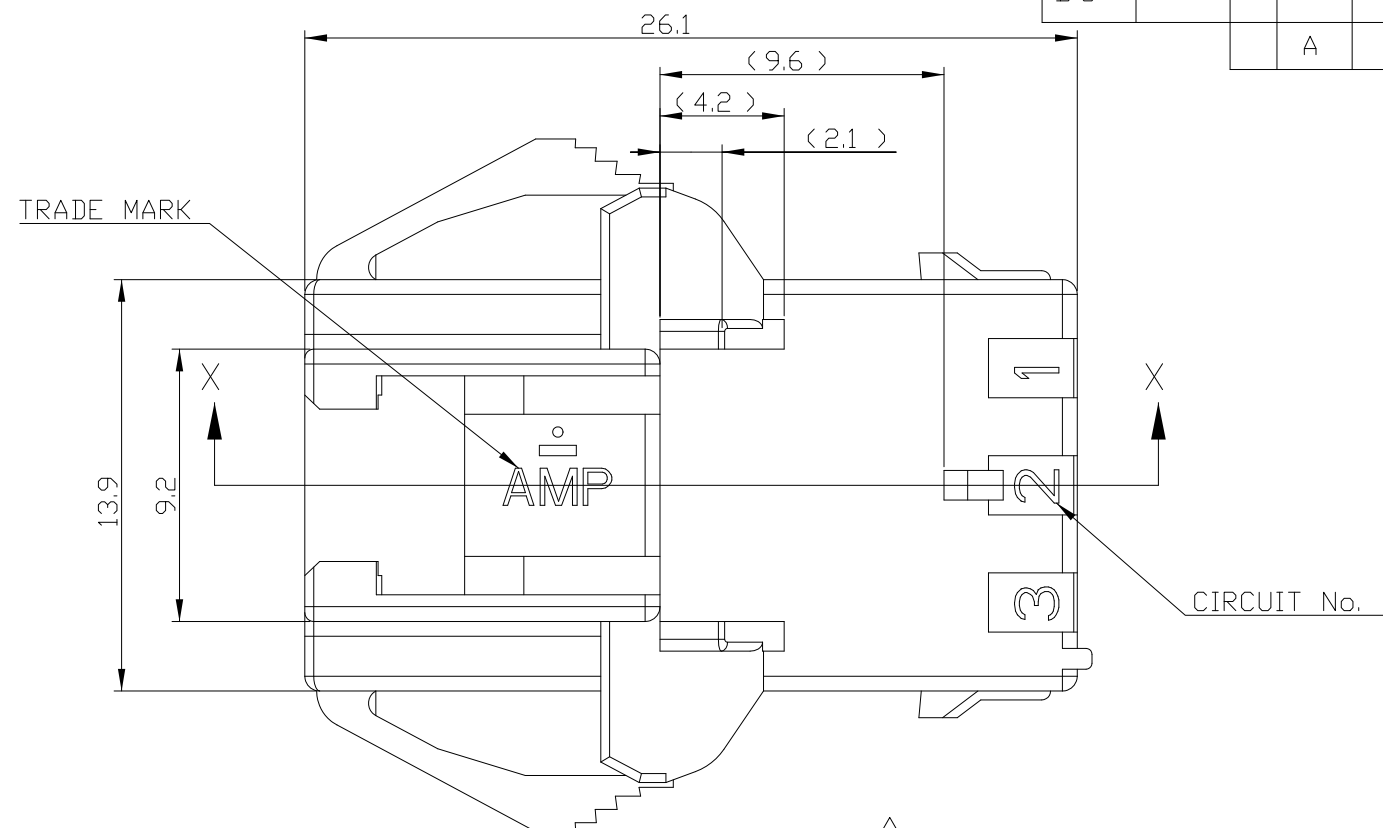
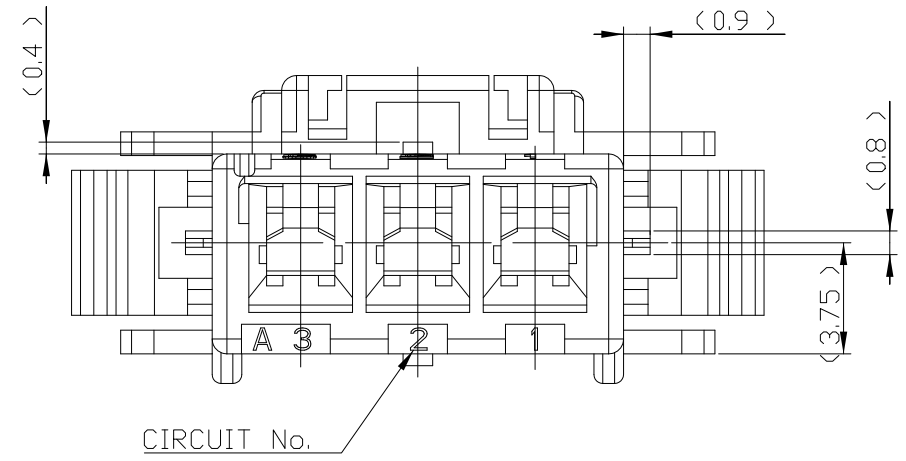
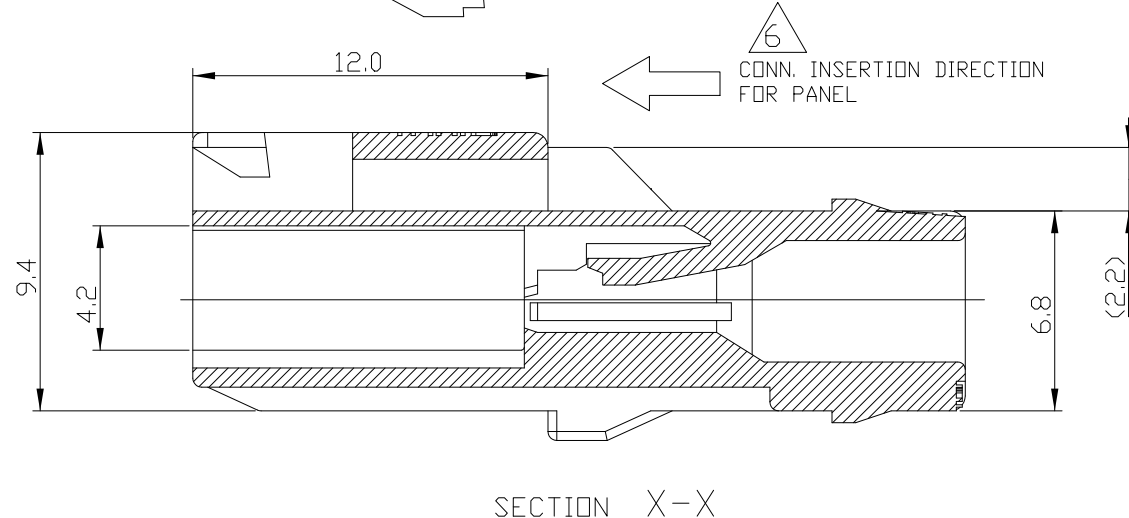
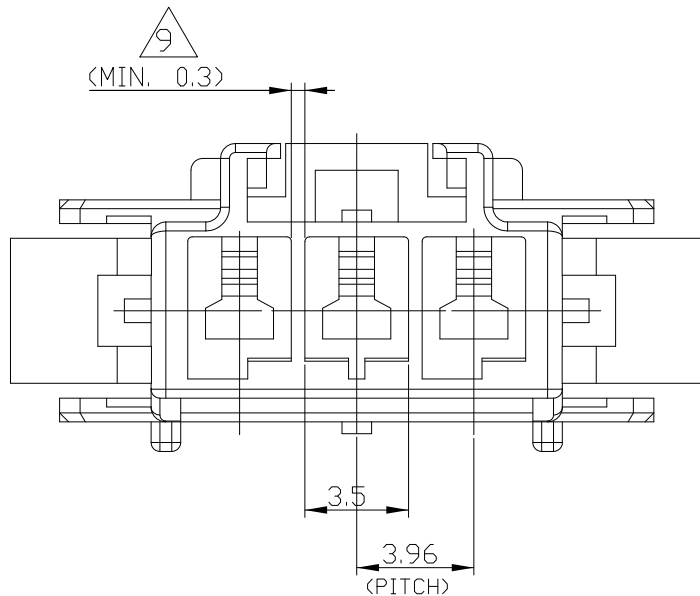


FIG 1. $\triangle 5$
 RECOMMENDED PANEL OPENING DIMENSION
 TOLERANCES: ± 0.13



- NOTE;
1. APPLICABLE CONTACT P/N
 -TAB CONTACT: 177917- □(AWG#16-#20)
 177916- □(AWG#22-#26)
 2. MATING CONN. P/N
 -PLUG HSG: 368571- □
 -REC CONTACT: 177915- □(AWG#16-#20)
 177914- □(AWG#22-#26)
 3. APPLICABLE DOUBLE LOCK PLATE: 177919-1
 *IT SHOULD BE USED CERTAINLY WHEN CABLE ASS'Y
 4. GENERAL TOLERANCES: ± 0.3
 5. APPLICABLE PANEL THICKNESS: 0.8~2.0 (SEE FIG 1.)
 6. INSERT CONN. FROM PRESS DIRECTION SIDE FOR METAL PANEL.
 7. EDGE OF THICKNESS MAY MUST NOT ROUND FOR MOLDED PANEL.
 8. ACCORDING TO IEC 60335-1 4.2 EDITION
 -PART MEETS GWT 750°C, 850°C.
 -MATERIAL MEETS BALL PRESSURE TESTING AT 125°C.
 -MATERIAL HAS CTI VALUE OF 250V.
 9. MIN. THICKNESS OF INSULATING WALL

| | |
|-----------|---------|
| 2005250-9 | BLACK |
| 2005250-6 | BLUE |
| 2005250-4 | YELLOW |
| 2005250-2 | RED |
| 2005250-1 | NATURAL |
| P/N | COLOR |

| | | | | | | | | | | | | | | | | |
|--|---------|------------------|---|-----------------------|------|-------|-------|-------|--------|-------|---------|--------|----|---------------------------|---------------|--|
| THIS DRAWING IS A CONTROLLED DOCUMENT FOR TYCO ELECTRONICS CORPORATION IT IS SUBJECT TO CHANGE AND THE CONTROLLING ENGINEERING ORGANIZATION SHOULD BE CONTACTED FOR THE LATEST REVISION. | | DWN SC KIM | AMP KOREA Kyungsan, Korea | | | | | | | | | | | | | |
| DIMENSIONS: mm | | CHK BW KANG | | | | | | | | | | | | | | |
| TOLERANCES UNLESS OTHERWISE SPECIFIED: | | APVD JK SONG | NAME PDL 3P CAP HSG 3.96mm P/M (GWT) | | | | | | | | | | | | | |
| <table border="1"> <tr> <td>0 PLC</td> <td>±-</td> </tr> <tr> <td>1 PLC</td> <td>±0.1</td> </tr> <tr> <td>2 PLC</td> <td>±0.05</td> </tr> <tr> <td>3 PLC</td> <td>±0.025</td> </tr> <tr> <td>4 PLC</td> <td>±0.0001</td> </tr> <tr> <td>ANGLES</td> <td>±-</td> </tr> </table> | | 0 PLC | ±- | 1 PLC | ±0.1 | 2 PLC | ±0.05 | 3 PLC | ±0.025 | 4 PLC | ±0.0001 | ANGLES | ±- | PRODUCT SPEC 108-61106 | RESTRICTED TO | |
| 0 PLC | ±- | | | | | | | | | | | | | | | |
| 1 PLC | ±0.1 | | | | | | | | | | | | | | | |
| 2 PLC | ±0.05 | | | | | | | | | | | | | | | |
| 3 PLC | ±0.025 | | | | | | | | | | | | | | | |
| 4 PLC | ±0.0001 | | | | | | | | | | | | | | | |
| ANGLES | ±- | | | | | | | | | | | | | | | |
| MATERIAL PA66(UL94V-0) | | FINISH - | APPLICATION SPEC - | SIZE A3 | | | | | | | | | | | | |
| | | WEIGHT - | WEIGHT - | CAGE CODE 00779 | | | | | | | | | | | | |
| | | CUSTOMER DRAWING | | DRAWING NO 2005250 | | | | | | | | | | | | |
| | | SCALE 4:1 | | SHEET 1 OF 1 | | | | | | | | | | | | |
| | | | | REV A | | | | | | | | | | | | |