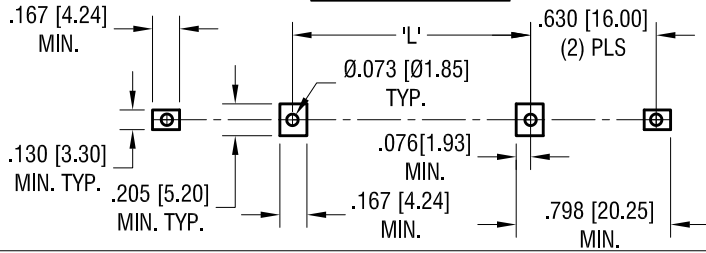


THIS DOCUMENT IS THE PROPERTY OF KEYSTONE ELECTRONICS CORP. AND SHALL NOT BE REPRODUCED, DISTRIBUTED OR USED AS A BASIS FOR MANUFACTURE WITHOUT PRIOR WRITTEN PERMISSION FROM KEYSTONE ELECTRONICS CORP.

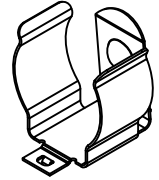
MOUNTING LAYOUT



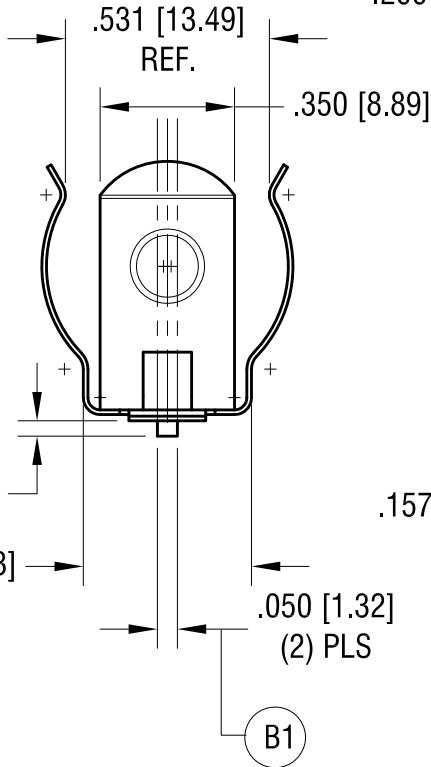
BATTERY	'L'
CR123A	.270 [6.85]
18350	.324 [8.23]
18650 *	1.584 [40.23]
17500	2.175 [55.23]

* FOR BATTERIES WITH BUILT-IN CIRCUIT PROTECTION (67mm LONG)

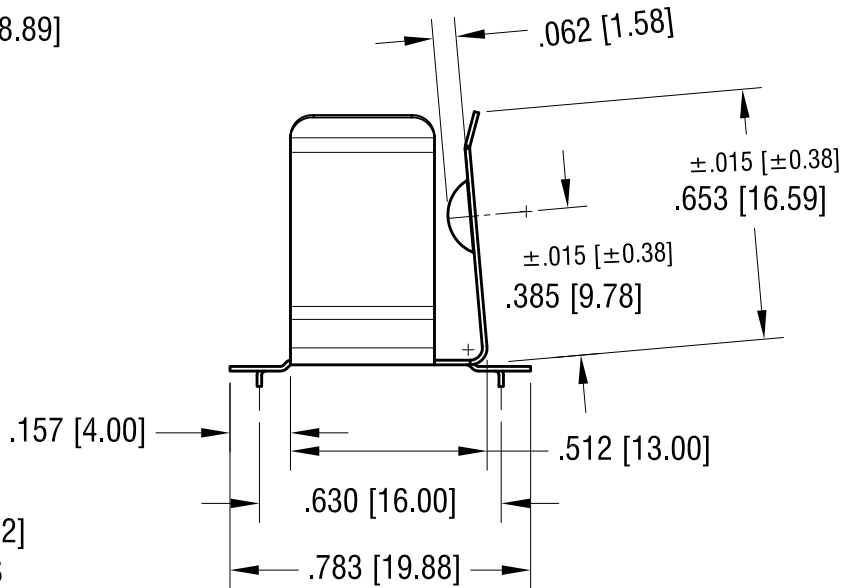
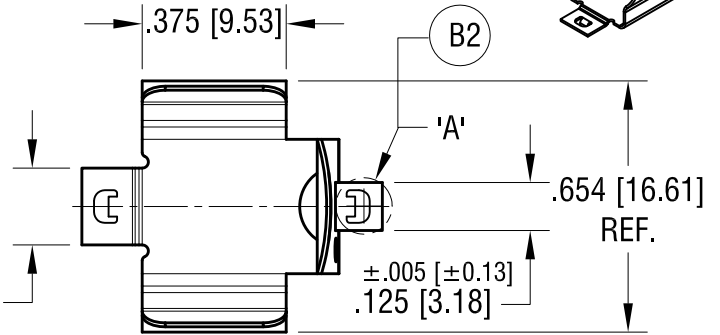
ACTUAL SIZE



DETAIL 'A'



±.005 [±0.13]
.200 [5.08]



NOTE:

1. HEAT TREAT TO SPRING TEMPER

PCB PROTECTION CIRCUITS ARE REQUIRED WHEN USED WITH LITHIUM-ION BATTERIES

DATE	DESCRIPTION	REV.
8.15.22	B1 WAS .060, ADD RELIEF B2 CHANGE AS PER ECN 22-141	B
6.14.21	REMOVE HOLE FOR WIRE CHANGE AS PER ECN 21-053	A
		C

KEYSTONE ELECTRONICS CORP.			
www.keyelco.com • NEW HYDE PARK, NY 11040 • Tel (516) 328-7500			
PART NAME 16mm - 19mm SM BATTERY CLIP			
MATERIAL .012 [0.30] TH'K ANNEALED SPRING STEEL			
FINISH TIN NICKEL PLATE		DRN BY NT	DATE 1.17.18
		APP'D LN	SCALE 2X
TOLERANCES DECIMAL ANGULAR ± 2° UNLESS OTHERWISE SPECIFIED	INCH [MM] ±.010 [±0.25]	CODE C	DWG NO. 254