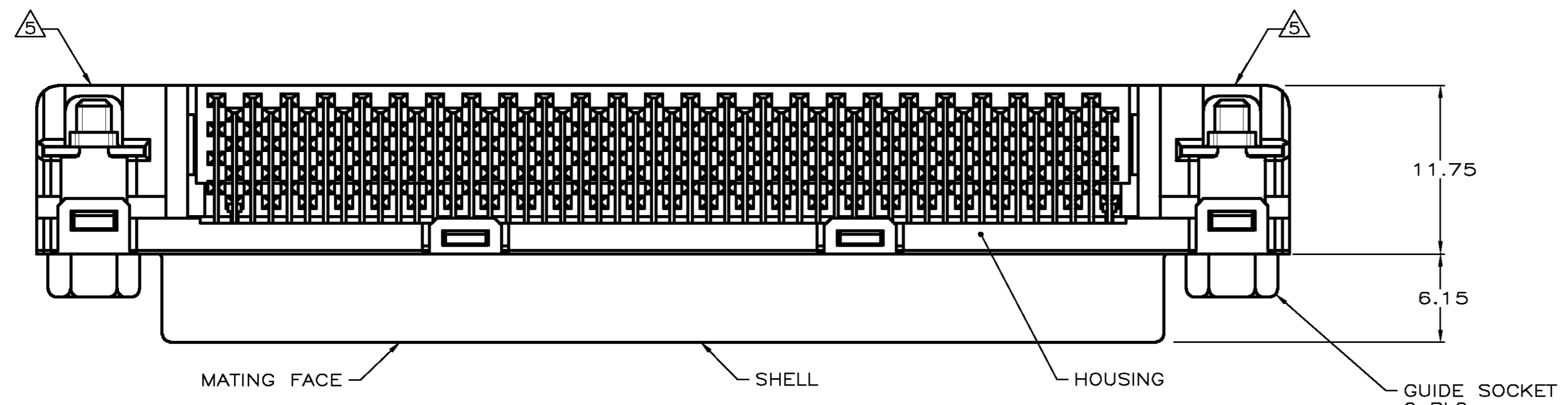
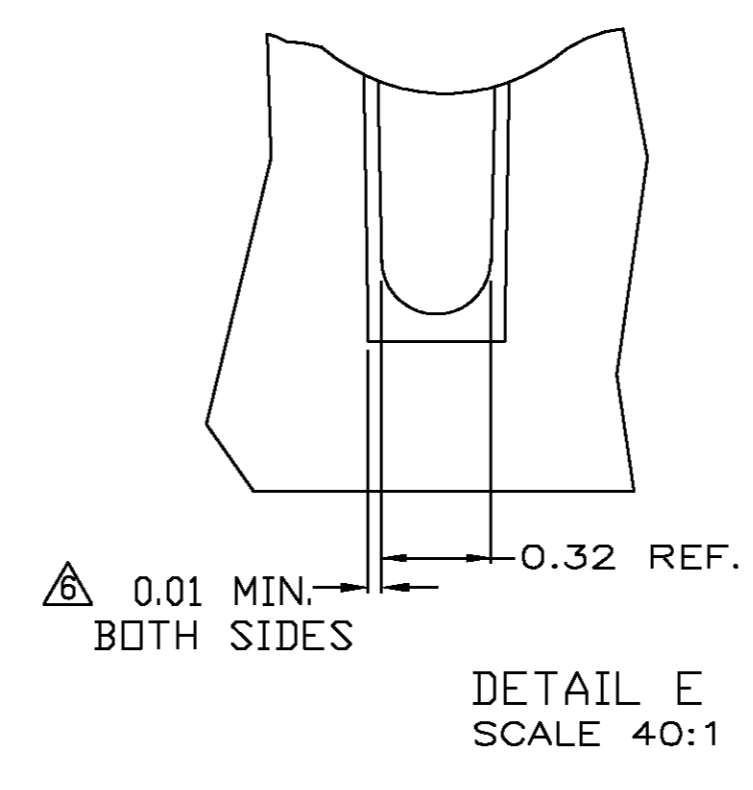
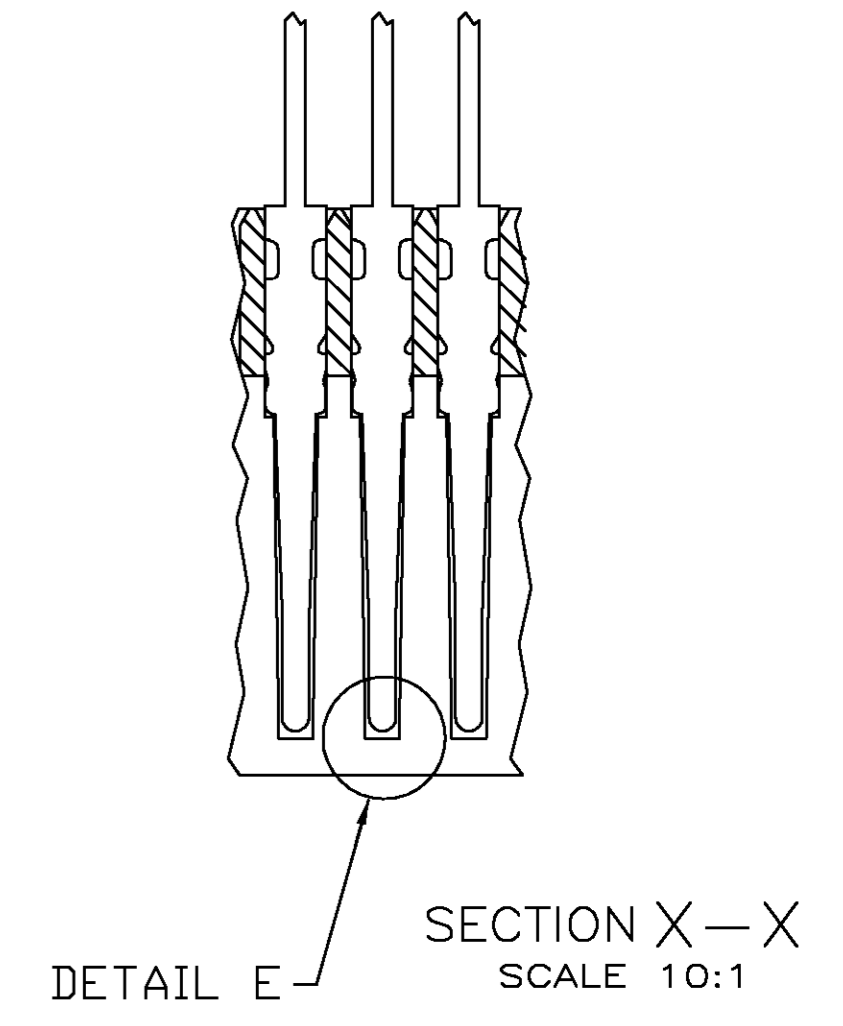
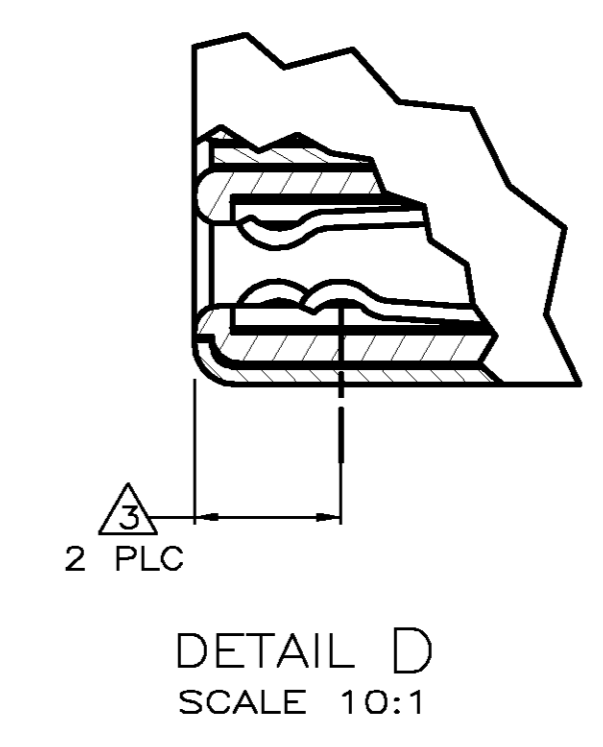
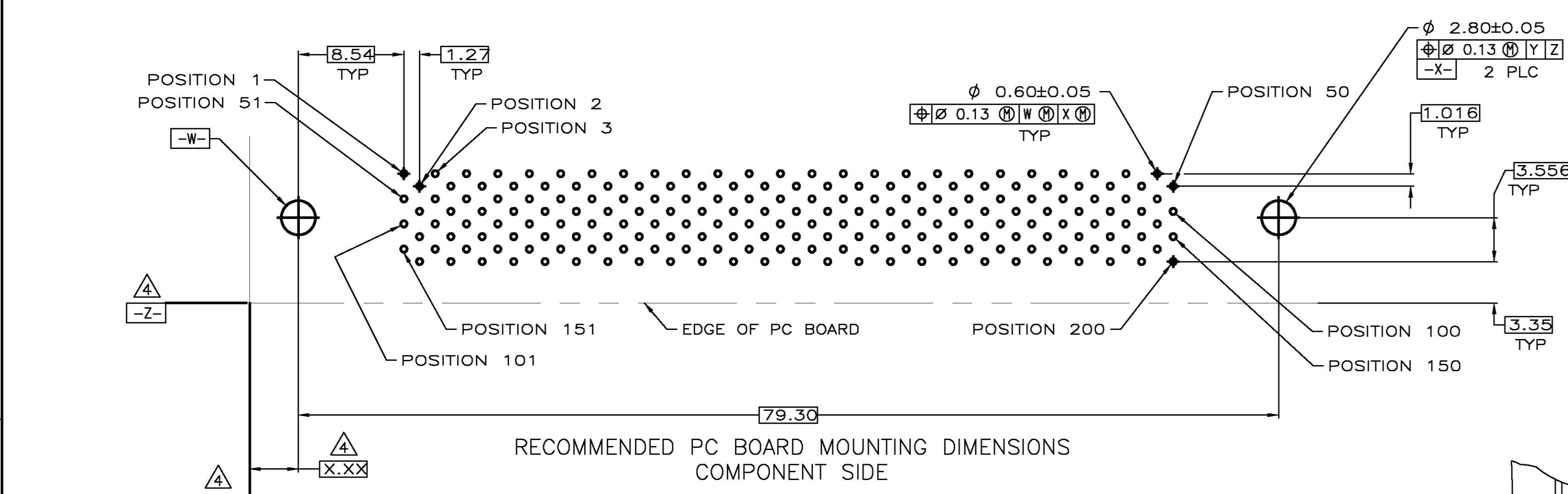
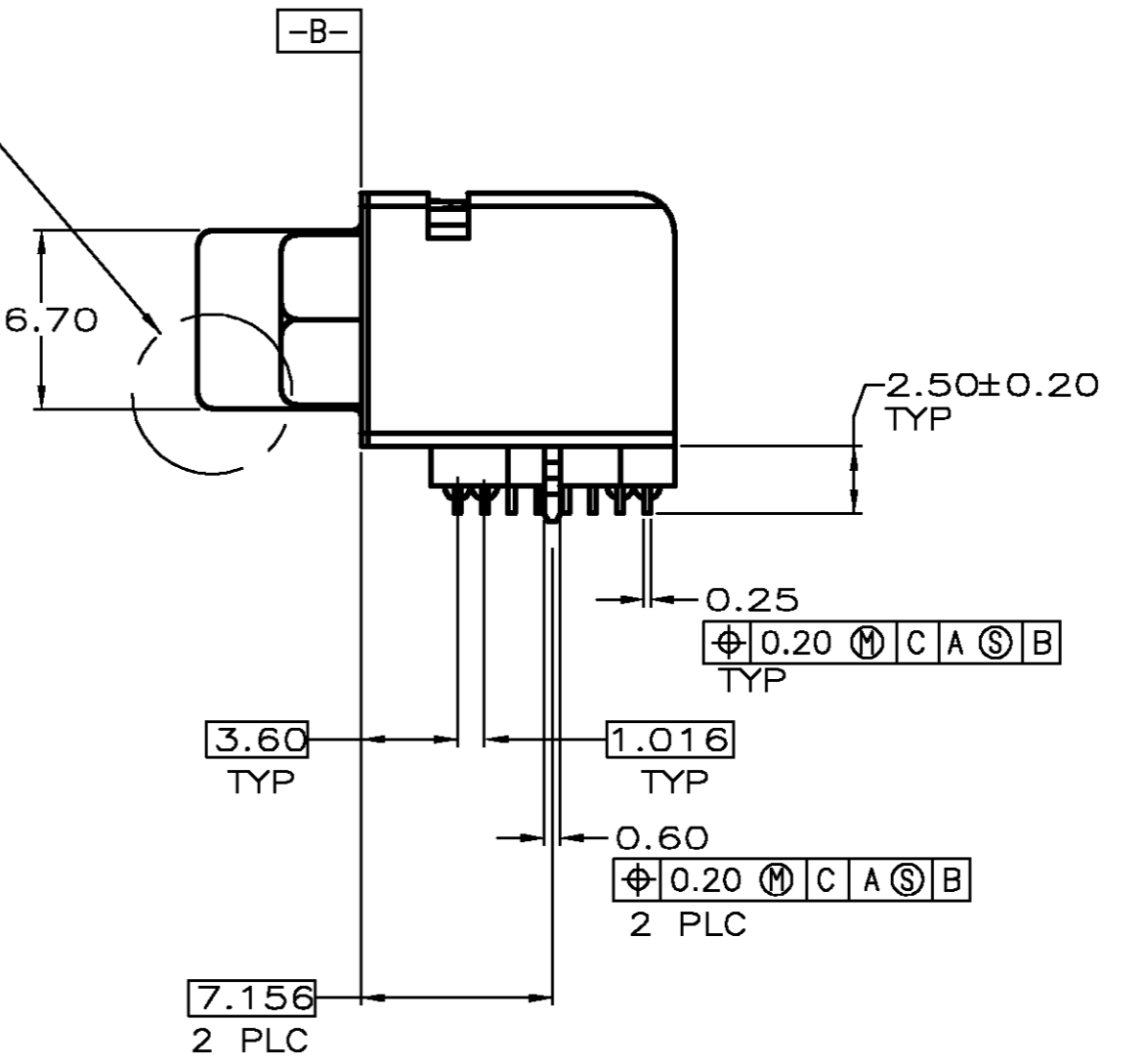
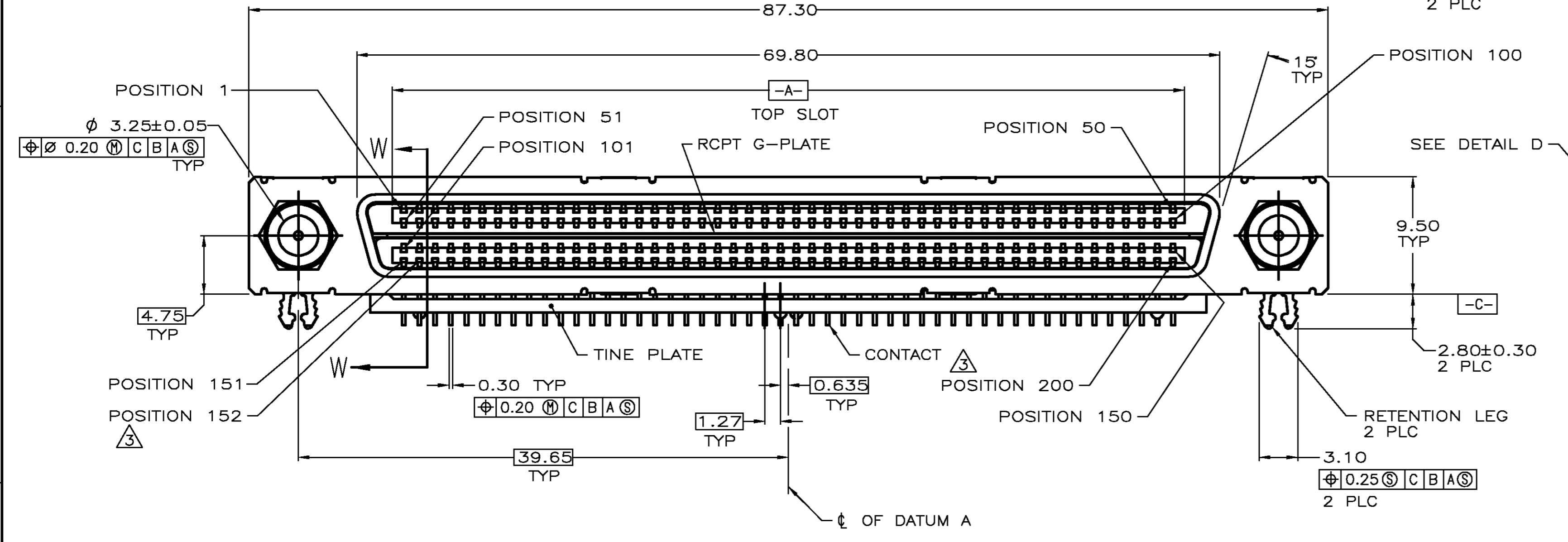


REVOLUTIONS		DATE	BY	APP'D
GP	0	11DEC02	JB	CF



- △ HOUSING AND TINE PLATE: POLYESTER, NATURAL.
 CONTACTS: PHOSPHOR BRONZE.
 SHELL: CARBON STEEL.
 RCPT G-PLATE: STAINLESS STEEL.
 GUIDE SOCKET AND RETENTION LEG: BRASS.
- △ CONTACTS: 0.76μm MIN GOLD FOR A LENGTH OF 1.10 MIN FROM MATING END,
 2.54 MIN TIN-LEAD FOR A LENGTH OF 2.80 MIN FROM OPPOSITE END,
 BOTH OVER 1.27μm MIN NICKEL.
 SHELL: 3.00μm MIN NICKEL OVER 1.30μm MIN COPPER.
 RETENTION LEG: 2.00μm MIN TIN-LEAD OVER 1.00μm MIN NICKEL.
 GUIDE SOCKET: NICKEL OVER COPPER.
- △ CONTACTS 152 AND 200, ARE SEQUENCED AWAY FROM MATING FACE.
- △ DATUMS AND BASIC DIMENSIONS ESTABLISHED BY CUSTOMER.
- △ DATE CODE MAY BE MARKED ON EITHER END.
- △ PROPOSED DIMENSION. MAY CHANGE PENDING CAPABILITY STUDY VERIFICATION.



1658203-1
 PART NUMBER

THIS DRAWING IS A CONTROLLED DOCUMENT.		DRW: J. BURWELL 12NOV02	TYCO Electronics	Tyco Electronics Corporation	
DIMENSIONS: MM		CHK: C. FULP 12NOV02	NAME: RECEPTACLE ASSEMBLY, 200 POSITION, RIGHT ANGLE, .050, CHAMP	SIZE: A1	CAGE CODE: 100779
TOLERANCES UNLESS OTHERWISE SPECIFIED:		APD:	APPLICATION SPEC:	DRAWING NO: 1658203	RESTRICTED TO:
0 PLC	± .1	PRODUCT SPEC:	WEIGHT:	SCALE: 4:1	SHEET 1 OF 1
1 PLC	± 0.2	APPLIC. SPEC:	CUSTOMER DRAWING	REV: 0	
2 PLC	± 0.25				
3 PLC	± .3				
4 PLC	± .4				
ANGLES	± .5°				