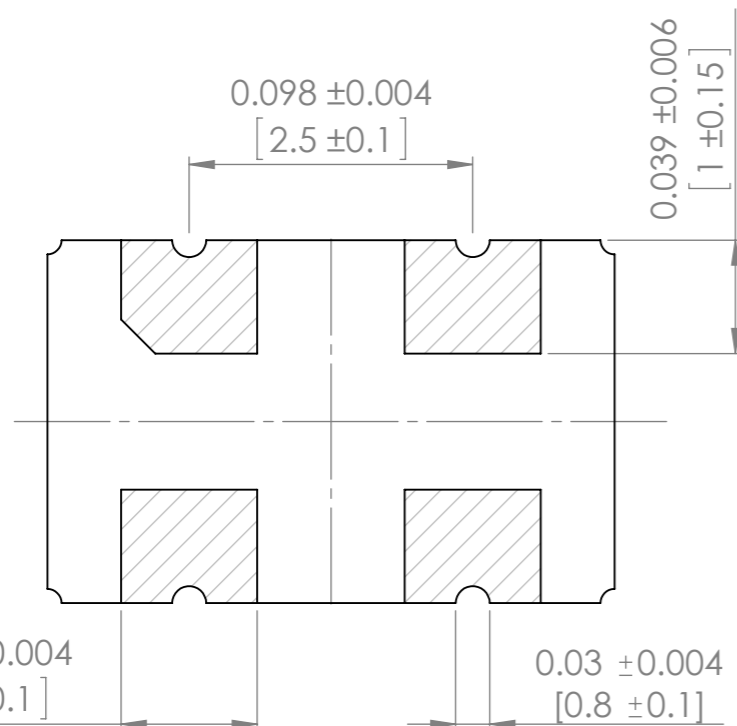
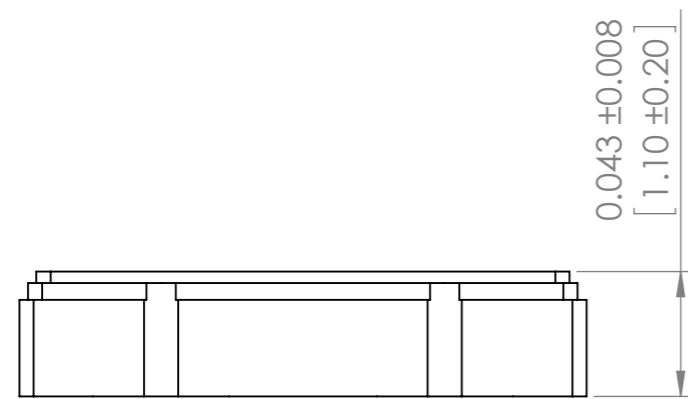
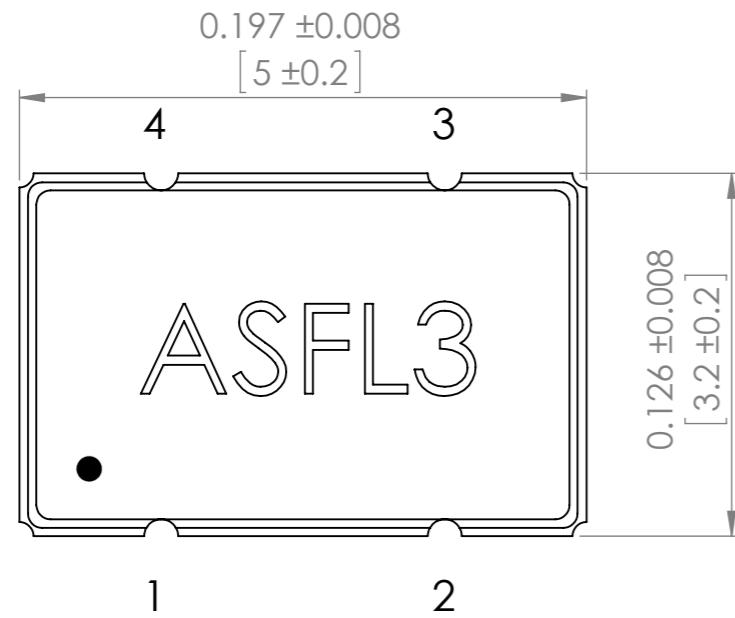
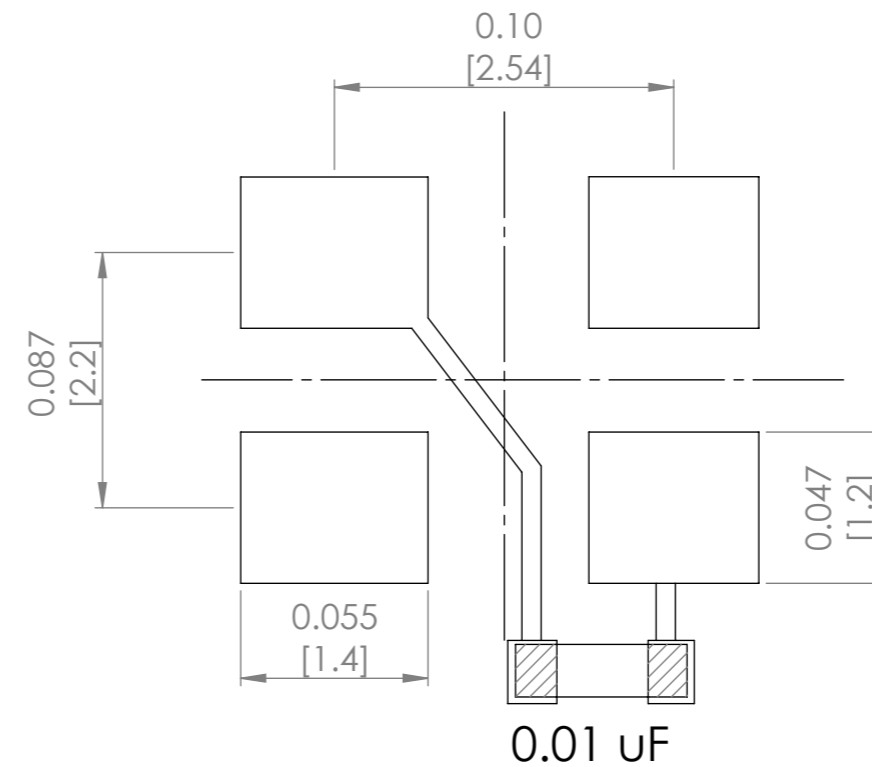


Recommended Land Pattern

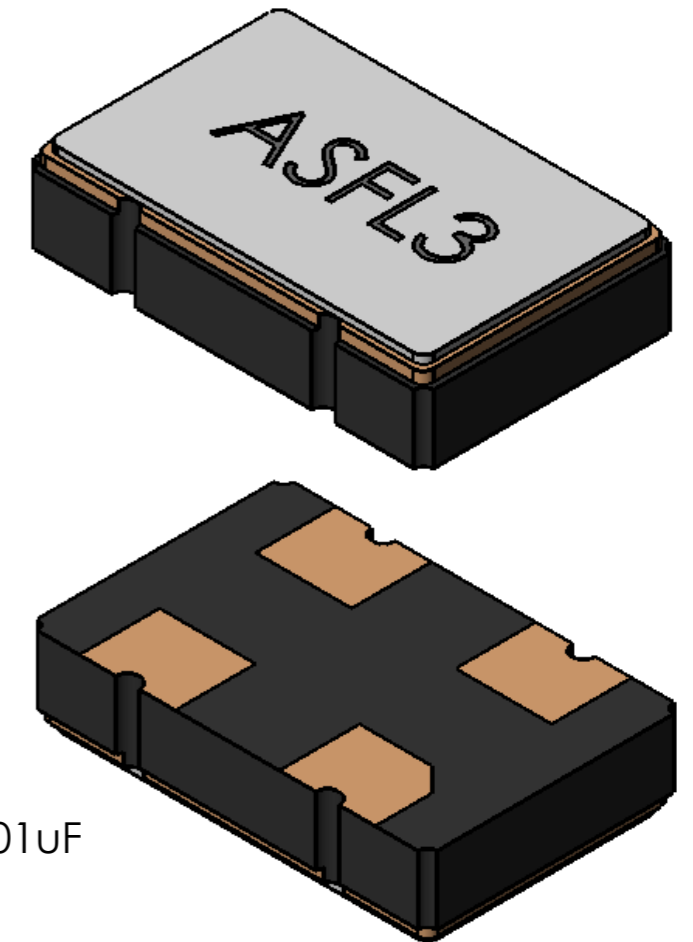


Bottom view



PIN	FUNCTION
1	Tri-state
2	GND
3	Output
4	VDD

Note: : It is recommended to use an approximately 0.01 uF bypass capacitor between PIN 2 and 4.



UNLESS OTHERWISE SPECIFIED: DIMENSIONS ARE IN INCH(MM) SURFACE FINISH: TOLERANCES: LINEAR: ANGULAR:			FINISH:	DEBUR AND BREAK SHARP EDGES	DO NOT SCALE DRAWING	REVISION
NAME	SIGNATURE	DATE			 30332 Esperanza, Rancho Santa margarita, California 92688	
DRAWN	SAAZVAT				TITLE: OSCILLATOR	
CHK'D	XXXXXX				DWG NO. ASFL3	
APPV'D					A3	
MFG				MATERIAL:	SCALE: 15:1	
Q.A				WEIGHT:	SHEET 1 OF 1	