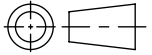
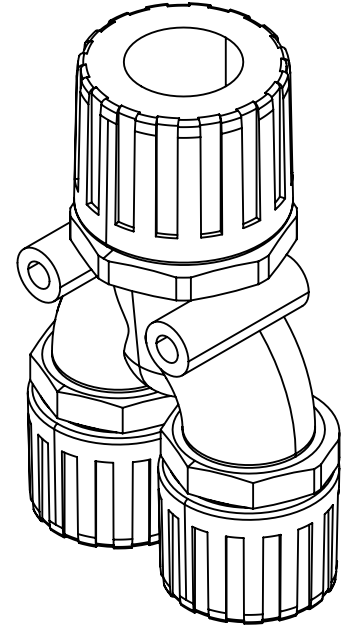
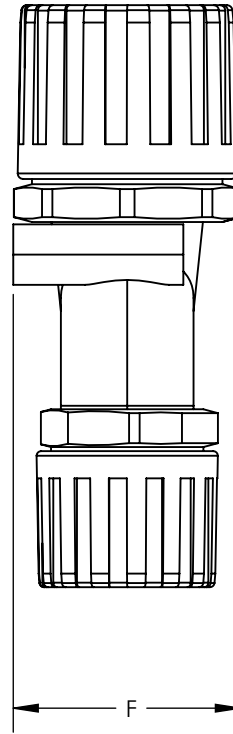
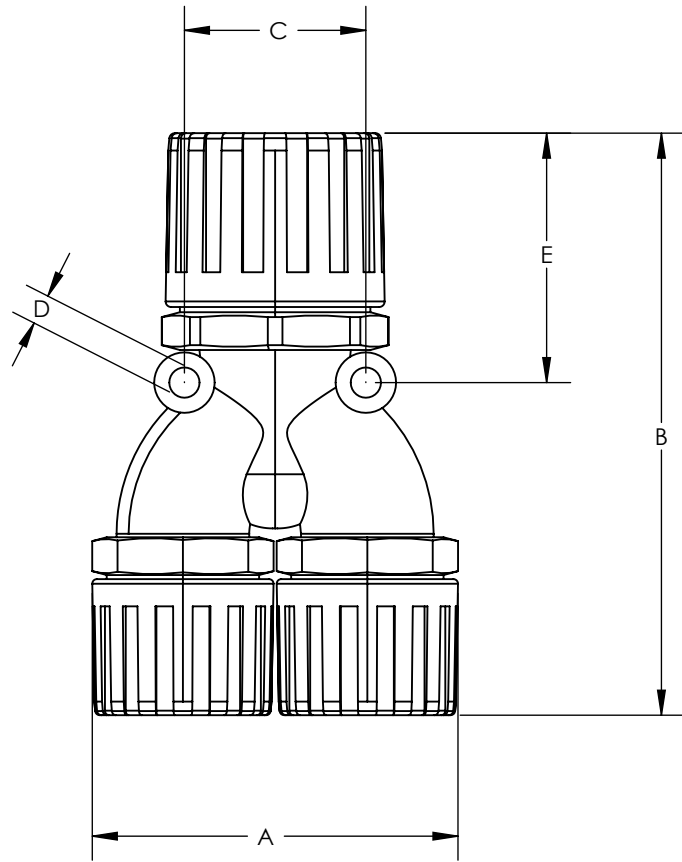


SW2014



Revision level			Revision Record	Changed	Date	Approved	Date
Drawing	State	Part					
00.0	Design Release		SEE ECN# 013611	GRW	10/31/2016	KAC	10/31/2016



Conduit Size		HellermannTyton Part Number	Manufacturer Reference Number	Dimension											
				A		B		C		D		E		F	
in.	mm			in.	mm	in.	mm	in.	mm	in.	mm	in.	mm	in.	mm
3/8	16	HGL038-YL031-YL031	FPAX16-13-13	1.93	49	3.03	77	0.94	24	0.16	4.0	1.3	33	1.14	29
1/2	21	HGL050-YL038-YL038	FPAX21-16-16	2.32	59	3.5	89	1.26	32	0.2	5.0	1.3	33	1.26	32
3/4	28	HGL075-YL050-YL050	FPAX28-21-21	2.64	67	3.66	93	1.93	49	0.24	6.0	1.57	40	1.77	45
1.00	34	HGL100-YL075-YL075	FPAX34-28-28	3.54	90	4.57	116	1.89	48	0.26	6.5	1.69	43	2.01	51

Material  
PA66

Units: **inches**  
 Dimension without tolerances details to:  
 .xxxx = ±.0005  
 .xxx = ±.005  
 .xx = ±.01  
 .x = ±.03  
 None = ±.06  
 ∠ = ±0.5°  
 Dimension Formatted in/[mm]

The copyright of this drawing is reserved by HellermannTyton. It is issued on condition that it is not reproduced, copied, or disclosed to a third party, either wholly or in part, without the consent of HellermannTyton.

Drawn GRW 10/31/2016  
 Approved KAC 10/31/2016

**HellermannTyton**  
 North America  
 Email: corp@htamericas.com  
 Web: www.hellermann.tyton.com

Article/Type-No HGL-YL SERIES  
 Title **HELAGAURD Y-DIVIDER NYLON FITTING, IP68**  
 Drawing-No PRODUCTION : Phase  
**16-1634-001-CSU**

Scale 1:1  
 Project Number PRP 16-1634  
 Format AH  
 Sheet 1/1