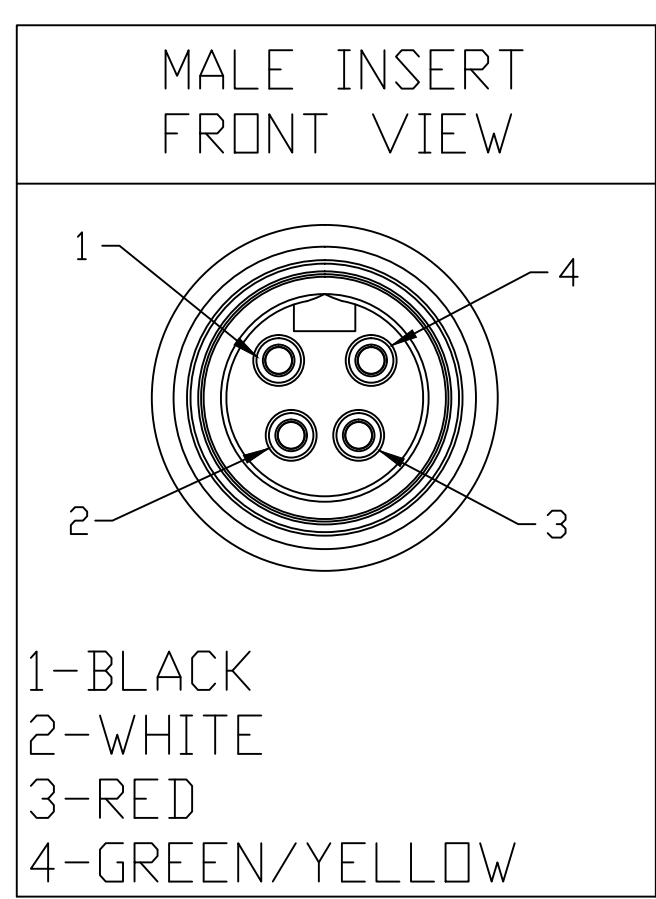
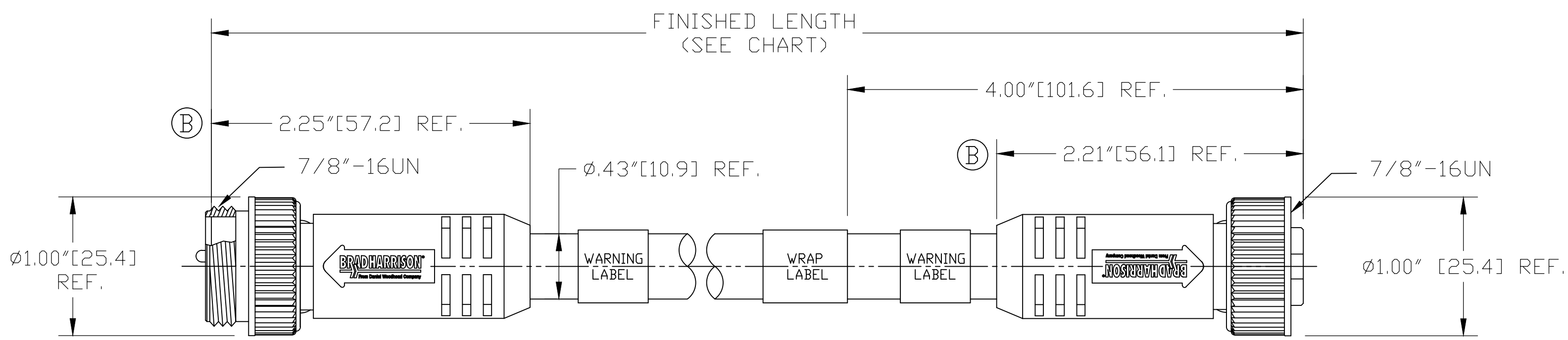


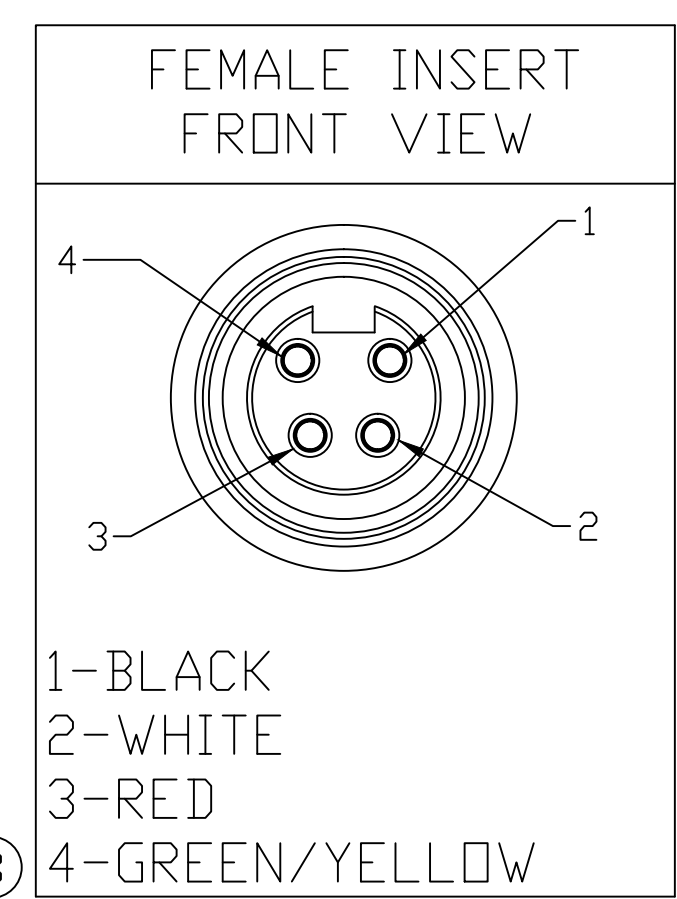
13	12	11	10	9	8	7	6	5	4	3	2	1
<b>MATERIAL NUMBER</b>	<b>OLD PART NUMBER</b>	<b>FINISHED LENGTH</b>										
130062-0088	114030A45M020	6.56' +3.50" -0 [2.0M +88.9mm -0]										



**114030A45M020**

Cable type  
16/4 AWG TC/ST00W  
Gray PVC

cable length  
M020----2 Meter  
M100----10 Meter



CONTACT:	GOLD/NICKEL OVER COPPER ALLOY
INSERT:	PVC, BLACK
COUPLING NUT:	ZINC DIE CAST, BLACK E-COATED
MOLDED BODY:	PVC, GRAY
VOLTAGE RATING:	600 VAC/VDC
AMPERAGE RATING:	10 AMPS
PROTECTION:	IP67
OPERATING TEMPERATURE:	-20°C TO 105°C
CERTIFICATIONS:	UL & CULUS LISTED, FILE NO. E258922

REMOVE GREEN WIRE, REV DIMS EC NO.: IPG2017-0162 DRWN: RSTONE 8/23/16 CH'KD: K COX 2016/08/26 APPR: BWOODMAN 2013/08/14 REV DESCRIPTION	QUALITY SYMBOL	GENERAL TOLERANCES (UNLESS SPECIFIED)	DIMENSION STYLE	SCALE	DESIGN UNITS	THIRD ANGLE PROJECTION
	▽=0	4 PLACES ±---	IN/MM	---	INCH	
	▽C=0	3 PLACES ±---	mm INCH	DRAWN BY DATE	TITLE	
		2 PLACES ±---		EBRACKEN 2013/06/18	MINI-CHANGE ASSEMBLY	
		1 PLACE ±0.3 ±---		CHECKED BY DATE	4 POLE M/MFE	
		ANGULAR ±.5°	RSTONE	#16/4 GRAY PVC		
		DRAFT WHERE APPLICABLE MUST REMAIN WITHIN DIMENSIONS	APPROVED BY DATE	MOLEX INCORPORATED		
			BWOODMAN 2013/08/14	SD-130062-016		
			MATERIAL NO.	DOCUMENT NO.		
			SEE CHART	SD-130062-016		
			SIZE C	SHEET NO. 1 OF 1		
			THIS DRAWING CONTAINS INFORMATION THAT IS PROPRIETARY TO MOLEX INCORPORATED AND SHOULD NOT BE USED WITHOUT WRITTEN PERMISSION			