

Under Development

Square type Optical Fiber Transmitter / Receiver Unit for 3V Operation and Double Speed

[GP1FA313TZ/RZ, GP1FA352TZ/RZ]

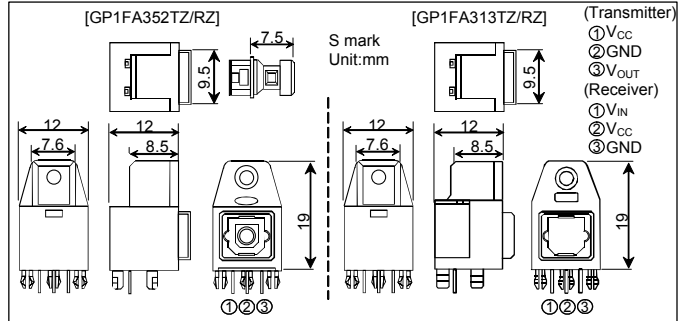
Features

- Double speed for high quality audio signal I/O (Data rate: MAX 15.5 Mbps)
- Low voltage operation ($V_{CC}=2.7$ to $3.6V$)
- Low current consumption

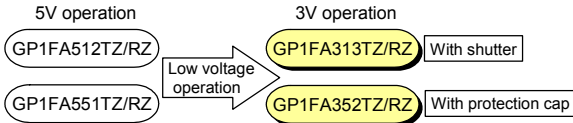
Applications

- DVD player
- AV amplifier

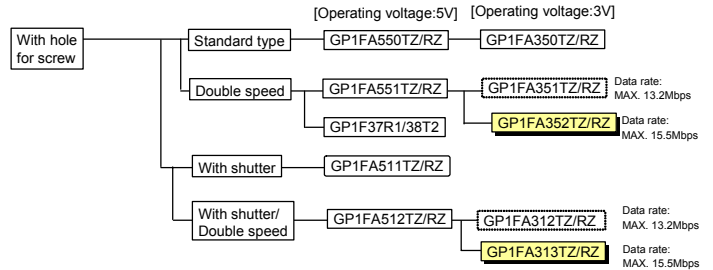
Outline dimensions



Development of Square type optical fiber for double speed



Line-up of Square type Optical fiber unit



Specifications

Transmitter			Receiver		
Parameter	Symbol	Characteristics	Parameter	Symbol	Characteristics
Operating supply voltage	V_{CC}	2.7 to 3.6 V	Operating supply voltage	V_{CC}	2.7 to 3.6 V
Consumption current	I_{CC}	MAX 12 mA	Consumption current	I_{CC}	MAX 15 mA
Peak emission wavelength	λ_p	TYP 660 nm	Minimum input optical level	$P_{C\text{MIN}}$	MAX -27 dBm
Optical output coupling with fiber	P_C	MIN -21 dBm	Data rate	T	MAX 15.5 Mbps
Data rate	T	MAX 15.5 Mbps	Jitter	t_j	TYP 1 ns
Jitter	t_j	TYP 1 ns	Operating temperature	T_{opr}	-20 to +70 °C
Operating temperature	T_{opr}	-20 to +70 °C			