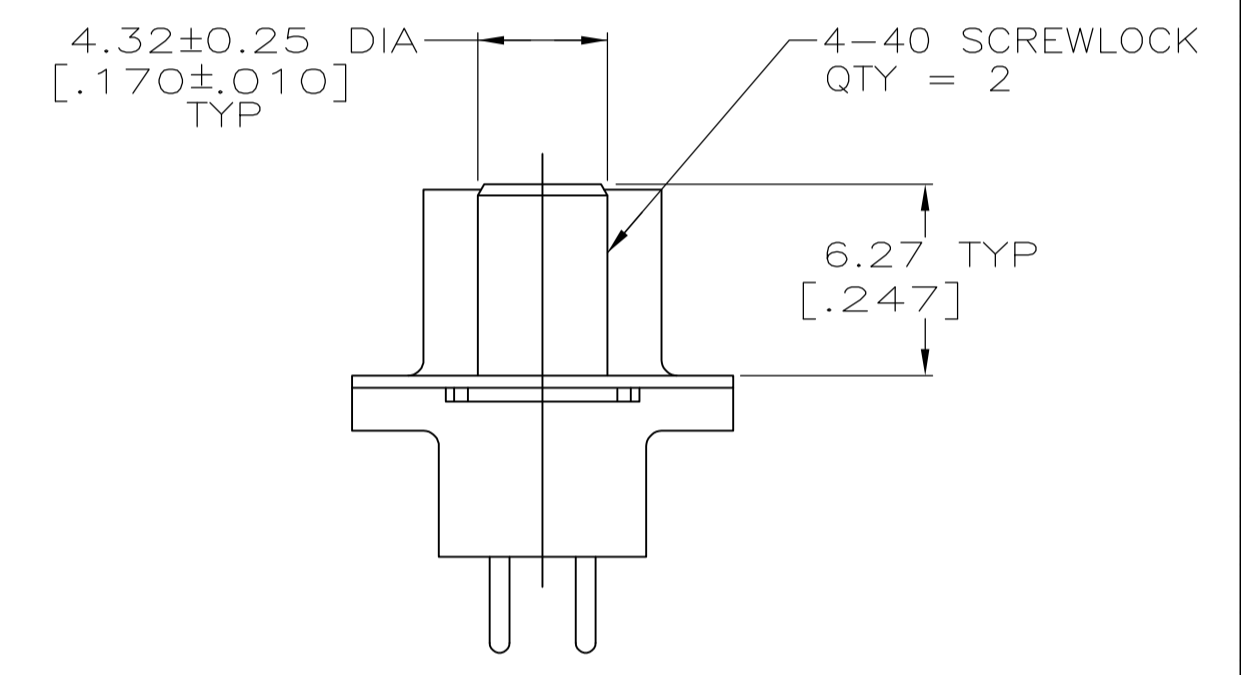
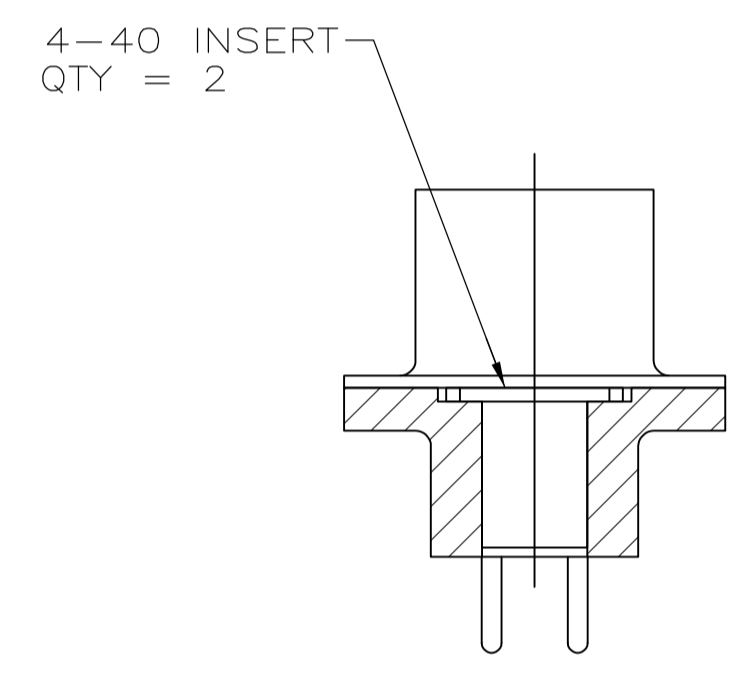
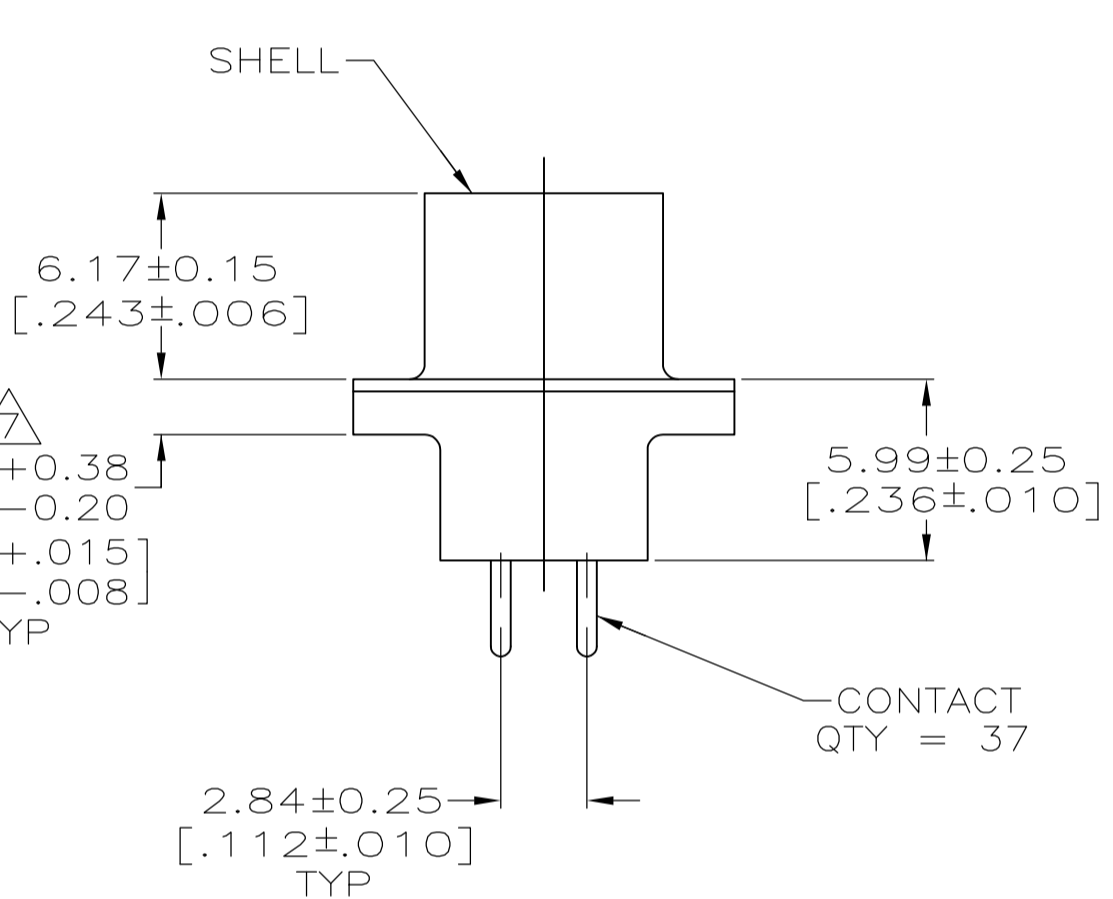
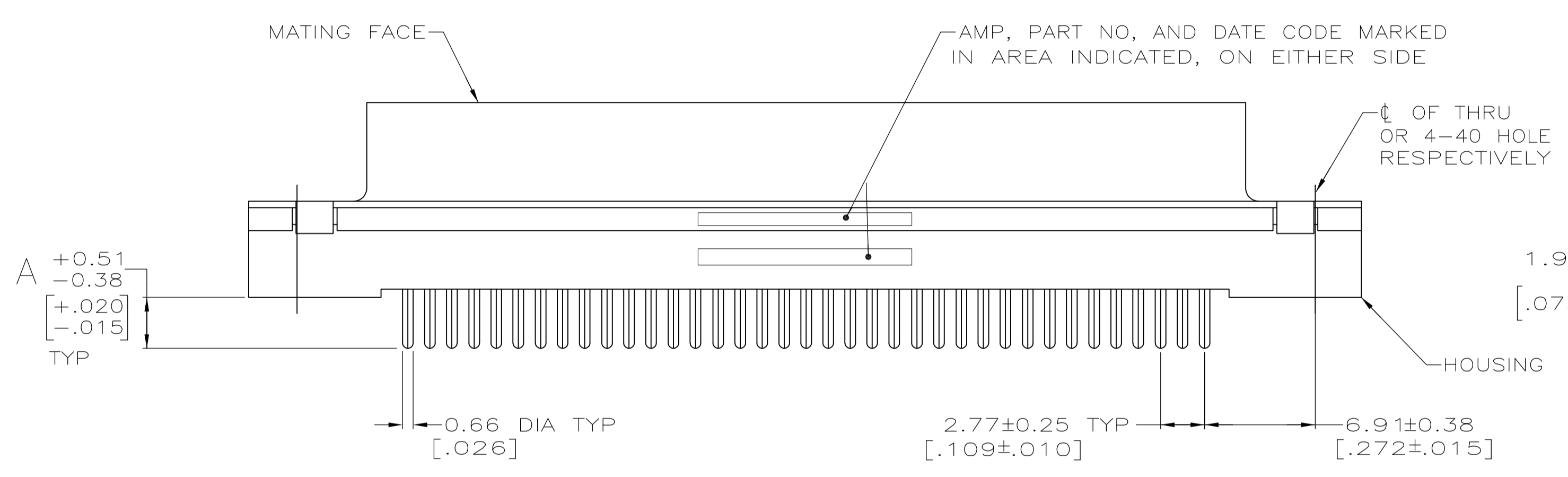
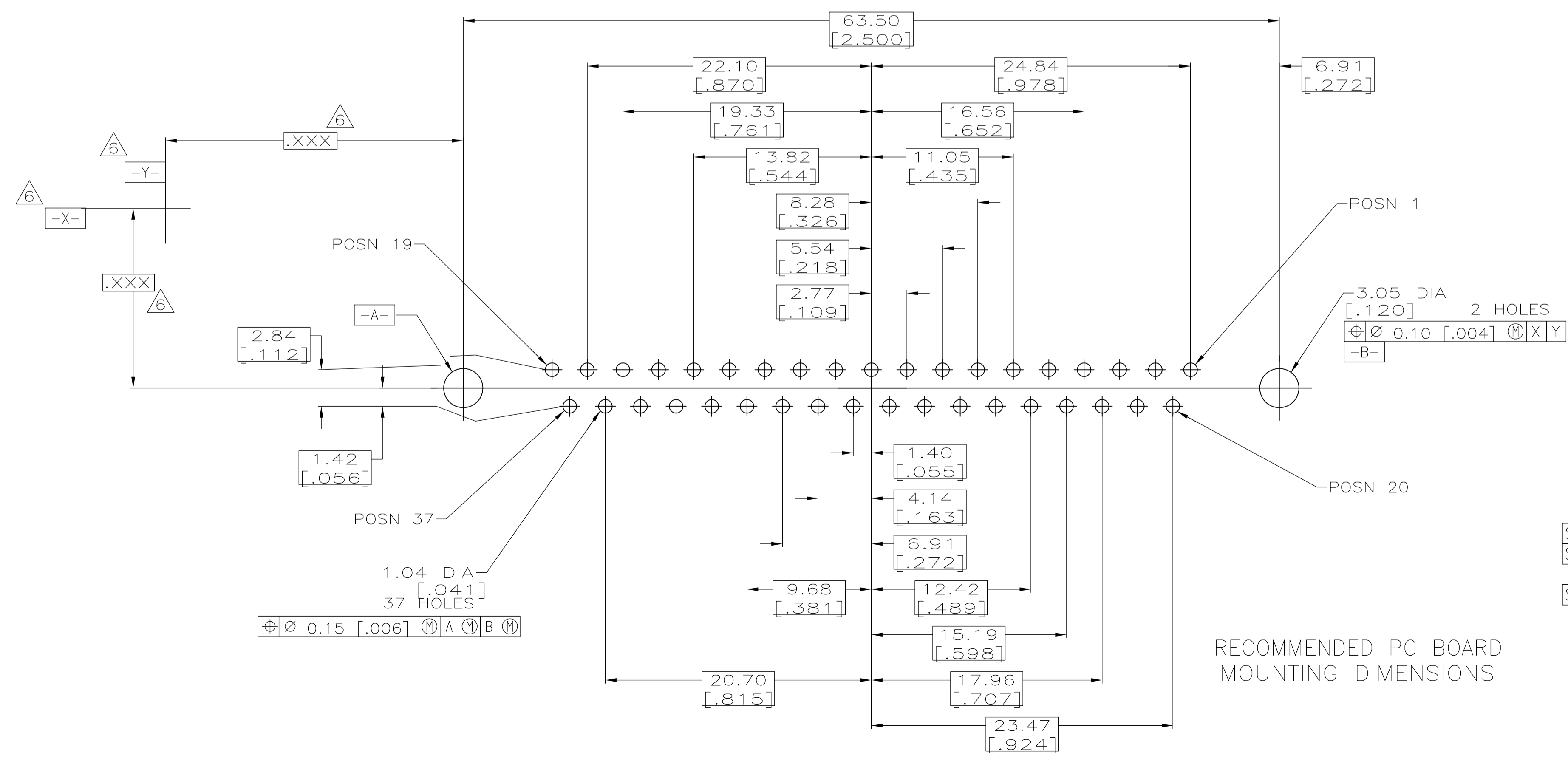


- △ HOUSING: BLACK POLYESTER, UL 94V-0 RATED; CONTACT: PHOSPHOR BRONZE  
SHELL: CARBON STEEL; SCREWLOCK: ZINC; INSERT: BRASS.
- △ NOTE DELETED.
- △ GOLD FLASH FOR A LENGTH OF 2.54[.100] MIN FROM MATING END,  
2.54μm[.000100] MIN TIN OR TIN-LEAD FOR A LENGTH OF DIMENSION A FROM  
OPPOSITE END, BOTH OVER 1.27μm[.000050] MIN NICKEL.
- △ 0.76μm[.000030] MIN GOLD FOR A LENGTH OF 2.54[.100] MIN FROM MATING END,  
2.54μm[.000100] MIN TIN OR TIN-LEAD FOR A LENGTH OF DIMENSION A FROM  
OPPOSITE END, BOTH OVER 1.27μm[.000050] MIN NICKEL.
- △ 5.08μm[.000200] MIN TIN OVER 2.54μm[.000100] MIN COPPER.
- △ DATUMS AND BASIC DIMENSIONS ESTABLISHED BY CUSTOMERS.
- △ 2.79[.110] MAX IN SHELL TAB CLINCH AREAS.



DETAIL D

DETAIL E



RECOMMENDED PC BOARD MOUNTING DIMENSIONS

	A	MOUNTING HARDWARE	CONTACT FINISH	PART NUMBER
OBSOLETE	6.35 [.250]	4-40 SCREWLOCK (DETAIL E)	△	1-747301-8
OBSOLETE	6.35 [.250]	4-40 SCREWLOCK (DETAIL E)	△	1-747301-7
	4.32 [.170]	4-40 SCREWLOCK (DETAIL E)	△	1-747301-6
OBSOLETE	4.32 [.170]	4-40 SCREWLOCK (DETAIL E)	△	1-747301-5
	3.18 [.125]	4-40 SCREWLOCK (DETAIL E)	△	1-747301-4
OBSOLETE	3.18 [.125]	4-40 SCREWLOCK (DETAIL E)	△	1-747301-3
OBSOLETE	6.35 [.250]	4-40 INSERT (DETAIL D)	△	1-747301-2
OBSOLETE	6.35 [.250]	4-40 INSERT (DETAIL D)	△	1-747301-1
OBSOLETE	4.32 [.170]	4-40 INSERT (DETAIL D)	△	1-747301-0
OBSOLETE	4.32 [.170]	4-40 INSERT (DETAIL D)	△	747301-9
	3.18 [.125]	4-40 INSERT (DETAIL D)	△	747301-8
	3.18 [.125]	4-40 INSERT (DETAIL D)	△	747301-7
OBSOLETE	6.35 [.250]	-	△	747301-6
OBSOLETE	6.35 [.250]	-	△	747301-5
SUPERSEDED BY 747301-2	4.32 [.170]	-	△	747301-4
SUPERSEDED BY 747301-4	4.32 [.170]	-	△	747301-3
	3.18 [.125]	-	△	747301-2
SUPERSEDED BY 747301-2	3.18 [.125]	-	△	747301-1

THIS DRAWING IS A CONTROLLED DOCUMENT.

DIMENSIONS: INCHES	TOLERANCES UNLESS OTHERWISE SPECIFIED:	DIN J. McCLINTON 12-4-89	Tyco Electronics Corporation Harrisburg, PA 17105-3608
0 PLC ± -	1 PLC ± -	2-1-90	
1 PLC ± -	2 PLC ± 0.13 [.005]	3-1-90	NAME: R. STONE PRODUCT SPEC: 108-40025 APPLICATION SPEC: 114-40023
2 PLC ± -	3 PLC ± -	4-1-90	SIZE: A1 CASE CODE: 00779 DRAWING NO: 747301
3 PLC ± -	4 PLC ± -	5-1-90	WEIGHT: - CUSTOMER DRAWING: -
4 PLC ± -	ANGLES ± -	6-1-90	SCALE: 4:1 SHEET: 1 of 1 REV: -