

**Product number FP11055_LISA2-RS-PIN**

Family	Lisa	FWHM	(simulated) 14
Type	Assembly	Efficiency	(simulated) 92 %
LED	Oslon SSL 80	cd/lm	(simulated) 11.300
Color	Black	Gerber File	Available
Diameter	9.9 mm		
Height	6.8 mm		
Style	Round		
Optic Material	PMMA		
Holder Material	-		
Fastening	["glue", "pin"]		
Status	Production ready		

Product number FP11047_LISA2-RS-PIN

Family	Lisa	FWHM	16 degrees
Type	Assembly	Efficiency	89 %
LED	Oslon SSL 80	cd/lm	-
Color	Black	Gerber File	Available
Diameter	9.9 mm		
Height	6.6 mm		
Style	Round		
Optic Material	PMMA		
Holder Material	-		
Fastening	["glue", "pin"]		
Status	Production ready		

Product number FP11084_LISA2-RS-CLIP

Family	Lisa	FWHM	16 degrees
Type	Assembly	Efficiency	89 %
LED	Oslon SSL 80	cd/lm	-
Color	Black	Gerber File	Available
Diameter	9.9 mm		
Height	6.6 mm		
Style	Round		
Optic Material	PMMA		
Holder Material	-		
Fastening	["clips", "glue"]		
Status	Production ready		

Product number FP11001_LISA2-M-PIN

Family	Lisa	FWHM	23 degrees
Type	Assembly	Efficiency	90 %
LED	Oslon SSL 80	cd/lm	-
Color	Black	Gerber File	Available
Diameter	9.9 mm		
Height	6.6 mm		
Style	Round		
Optic Material	PMMA		
Holder Material	-		
Fastening	["glue", "pin"]		
Status	Production ready		

**Product number FP11081_LISA2-M-CLIP**

Family	Lisa	FWHM	23 degrees
Type	Assembly	Efficiency	90 %
LED	Oslon SSL 80	cd/lm	-
Color	Black	Gerber File	Available
Diameter	9.9 mm		
Height	6.6 mm		
Style	Round		
Optic Material	PMMA		
Holder Material	-		
Fastening	["glue", "clips"]		
Status	Production ready		

Product number FP11002_LISA2-W-PIN

Family	Lisa	FWHM	36 degrees
Type	Assembly	Efficiency	88 %
LED	Oslon SSL 80	cd/lm	1.730
Color	Black	Gerber File	Available
Diameter	9.9 mm		
Height	6.6 mm		
Style	Round		
Optic Material	PMMA		
Holder Material	-		
Fastening	["glue", "pin"]		
Status	Production ready		

Product number FP11082_LISA2-W-CLIP

Family	Lisa	FWHM	36 degrees
Type	Assembly	Efficiency	88 %
LED	Oslon SSL 80	cd/lm	1.730
Color	Black	Gerber File	Available
Diameter	9.9 mm		
Height	6.6 mm		
Style	Round		
Optic Material	PMMA		
Holder Material	-		
Fastening	["glue", "clips"]		
Status	Production ready		

Product number FP11003_LISA2-WW-PIN

Family	Lisa	FWHM	40 degrees
Type	Assembly	Efficiency	87 %
LED	Oslon SSL 80	cd/lm	1.340
Color	Black	Gerber File	Available
Diameter	9.9 mm		
Height	7 mm		
Style	Round		
Optic Material	PMMA		
Holder Material	-		
Fastening	["glue", "pin"]		
Status	Production ready		

**Product number FP11120_LISA2-O-CLIP**

Family	Lisa	FWHM	48+19 degrees
Type	Assembly	Efficiency	80 %
LED	Oslon SSL 80	cd/lm	2.200
Color	Black	Gerber File	Available
Diameter	9.9 mm		
Height	6.6 mm		
Style	Round		
Optic Material	PMMA		
Holder Material	-		
Fastening	["glue", "clips"]		
Status	Production ready		

**Product number FP11124_LISA2-O-PIN**

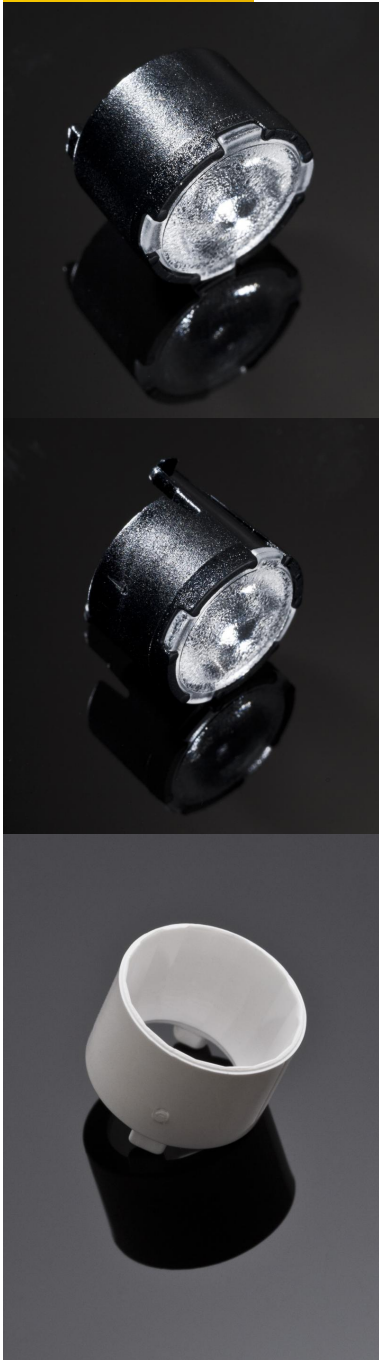
Family	Lisa	FWHM	48+19 degrees
Type	Assembly	Efficiency	80 %
LED	Oslon SSL 80	cd/lm	2.200
Color	Black	Gerber File	Available
Diameter	9.9 mm		
Height	6.6 mm		
Style	Round		
Optic Material	PMMA		
Holder Material	-		
Fastening	["pin", "glue"]		
Status	Production ready		

**Product number FP11852_LISA2-O-90-PIN**

Family	Lisa	FWHM	48+19 degrees
Type	Assembly	Efficiency	80 %
LED	Oslon SSL 80	cd/lm	-
Color	Black	Gerber File	Available
Diameter	9.9 mm		
Height	6.6 mm		
Style	Round		
Optic Material	PMMA		
Holder Material	-		
Fastening	["pin", "glue"]		
Status	Production ready		

**Product number FP11857_LISA2-O-90-CLIP**

Family	Lisa	FWHM	48+19 degrees
Type	Assembly	Efficiency	80 %
LED	Oslon SSL 80	cd/lm	-
Color	Black	Gerber File	Available
Diameter	9.9 mm		
Height	6.6 mm		
Style	Round		
Optic Material	PMMA		
Holder Material	-		
Fastening	["clips", "glue"]		
Status	Production ready		

**Product number FP11957_LISA2-WWW-PIN**

Family	Lisa	FWHM	70 degrees
Type	Assembly	Efficiency	77 %
LED	Oslon SSL 80	cd/lm	0.700
Color	Black	Gerber File	Available
Diameter	9.9 mm		
Height	6.6 mm		
Style	Round		
Optic Material	PMMA		
Holder Material	-		
Fastening	["glue", "pin"]		
Status	Production ready		

Product number FP11958_LISA2-WWW-CLIP

Family	Lisa	FWHM	70 degrees
Type	Assembly	Efficiency	77 %
LED	Oslon SSL 80	cd/lm	0.700
Color	Black	Gerber File	Available
Diameter	9.9 mm		
Height	6.6 mm		
Style	Round		
Optic Material	PMMA		
Holder Material	-		
Fastening	["clips", "glue"]		
Status	Production ready		

Product number C12469_LISA2-R-PIN

Family	Lisa	FWHM	76 degrees
Type	Reflector	Efficiency	92 %
LED	Oslon SSL 80	cd/lm	0.500
Color	White	Gerber File	Available
Diameter	9.9 mm		
Height	6.5 mm		
Style	Round		
Optic Material	HRPC		
Holder Material	-		
Fastening	["glue", "pin"]		
Status	Production ready		

NOTE: The typical divergence will be changed by different color, chip size and chip position tolerance. The typical total divergence is the full angle measured where the luminous intensity is half of the peak value.



PRODUCT DATASHEET

Lisa series

last update 12/3/2015

GENERAL INFORMATION

- Product series especially designed & optimized for Oslon SSL 80 series of LEDs.
- Special care taken to make light distribution as uniform as possible.
- Lens material optical grade PMMA with high UV and temperature resistance. Allows use of high current and temperature conditions.

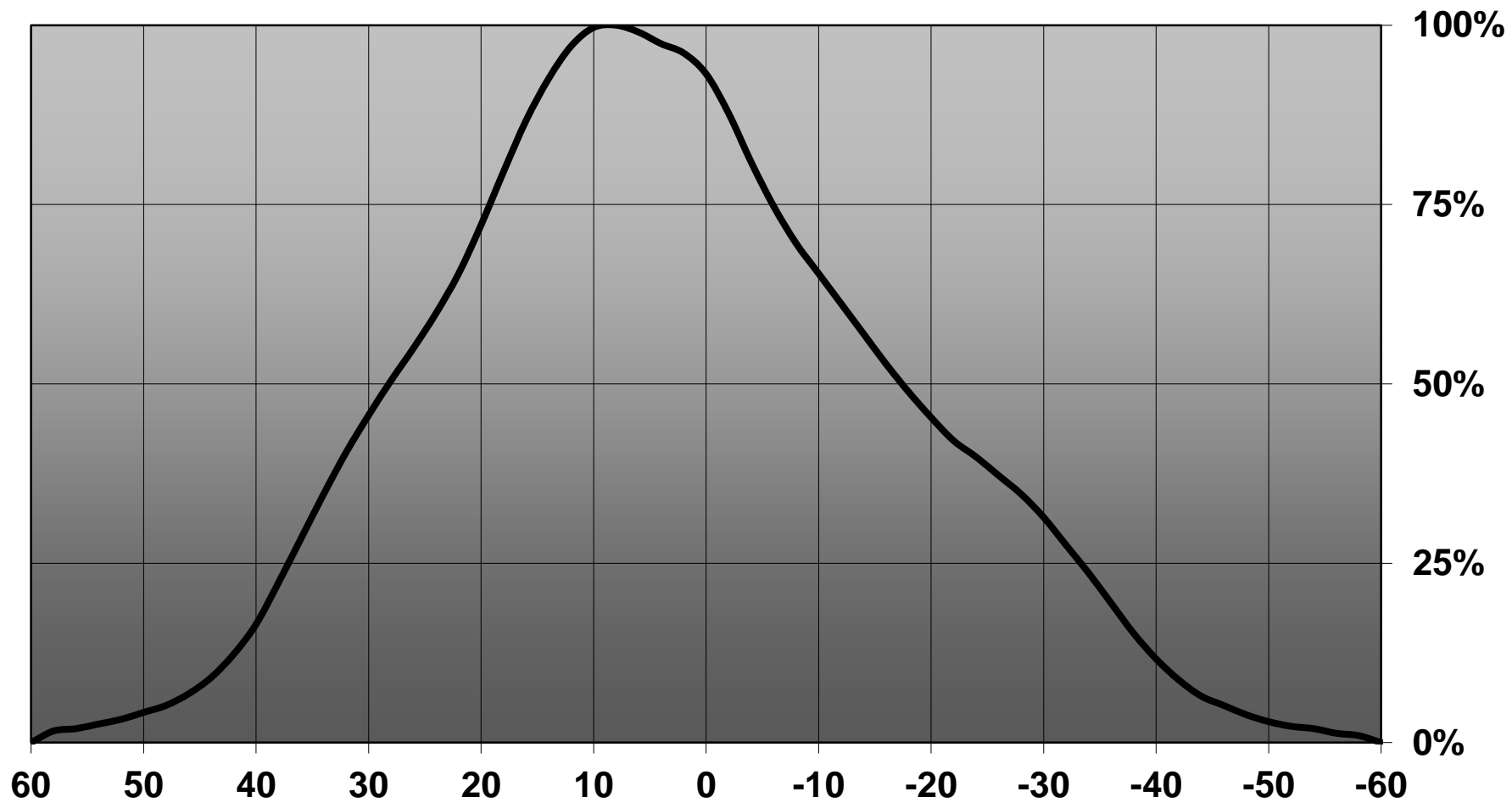
Please find more information about used material from below:

http://ledil.fi/sites/default/files/Documents/Technical/Material/PMMA%20N%20UL94_Yellow%20Card.pdf

<http://ledil.fi/sites/default/files/Documents/Technical/Material/PMMA%20N%20PLEXIGLAS-Datasheet.pdf>

- Reflector is made of aluminium coated PC (120 degrees of Celcius / 248 degrees of Fahrenheit) with protective lacquer (short term 100 degrees of Celcius / 212 degrees of Fahrenheit).

Relative intensity of FP11003-LISA2-WW-PIN_(SSL80)

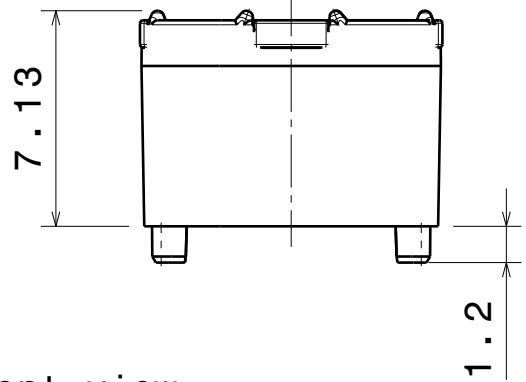


D

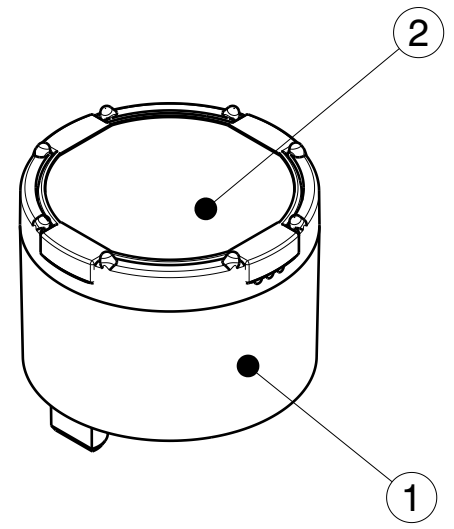
C

B

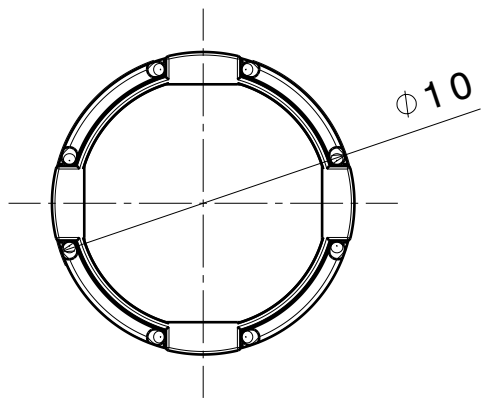
A



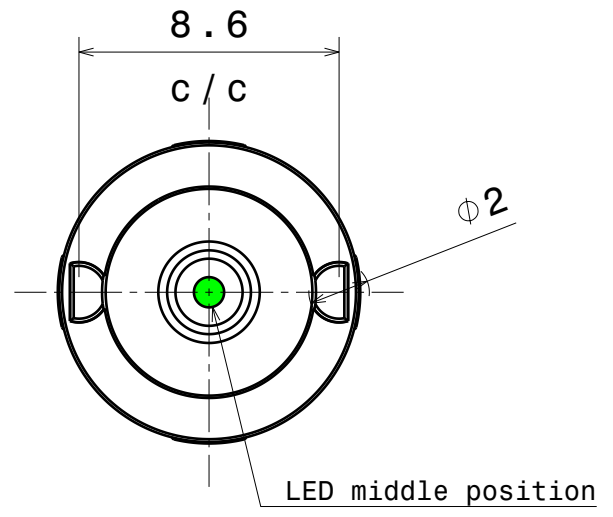
Front view



Isometric view



Top view



Bottom view

INDEX	PART NO	DESCRIPTION	MATERIAL	COLOUR
1	F10989	LISA2-HLD-PIN	PC	black
2	-	LISA2_lens	PMMA	

Tolerances if not otherwise shown
 According to DIN ISO 2768-1
 Linear measures:
 up to 30mm class M, otherwise class C
 According to DIN ISO 2768-2
 Form and position: class L

LEDiL LediL Oy
 Salorankatu 10
 FIN 24240 SALO
 Finland

THIRD ANGLE PROJECTION:

DRAWING TITLE
Lisa2-PIN-XP assembly

This drawing is the property of LEDiL Oy. It may not be reproduced, copied or communicated without a written agreement with LEDiL Oy.

SIZE	PART NUMBER
A4	-

SCALE	4:1	WEIGHT	0,5 g	SHEET	1 / 1
-------	-----	--------	-------	-------	-------

D

A

4

4

3

3

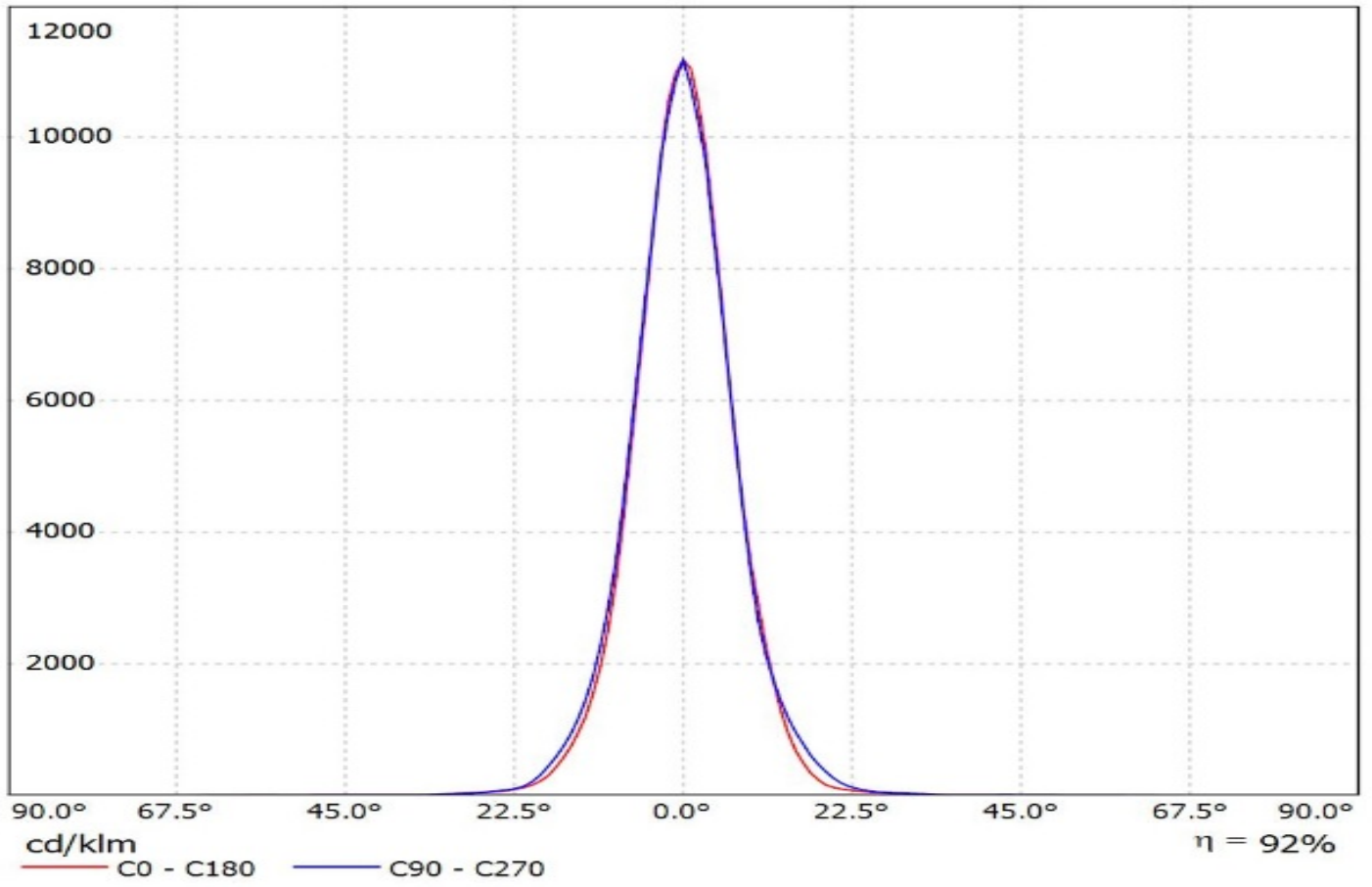
2

2

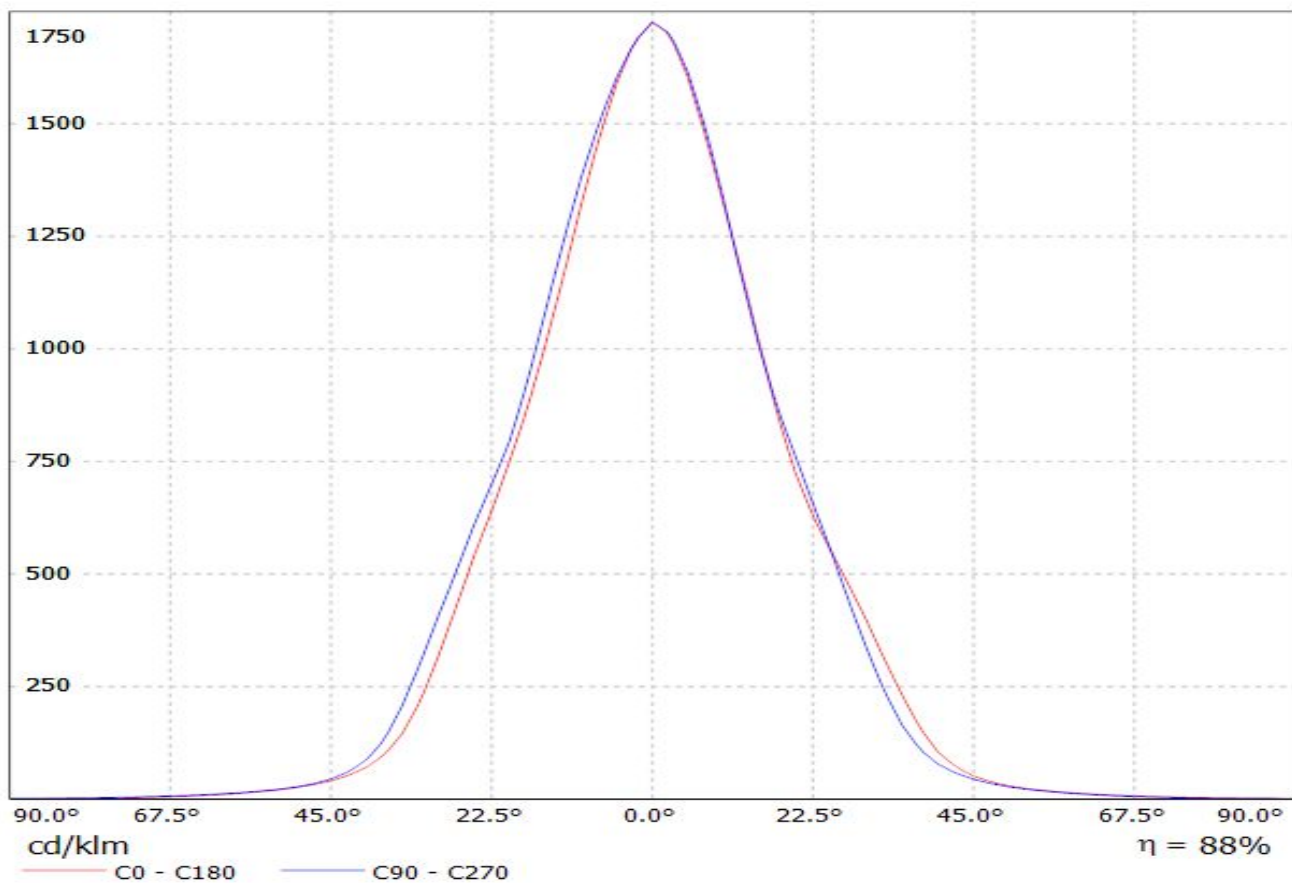
1

1

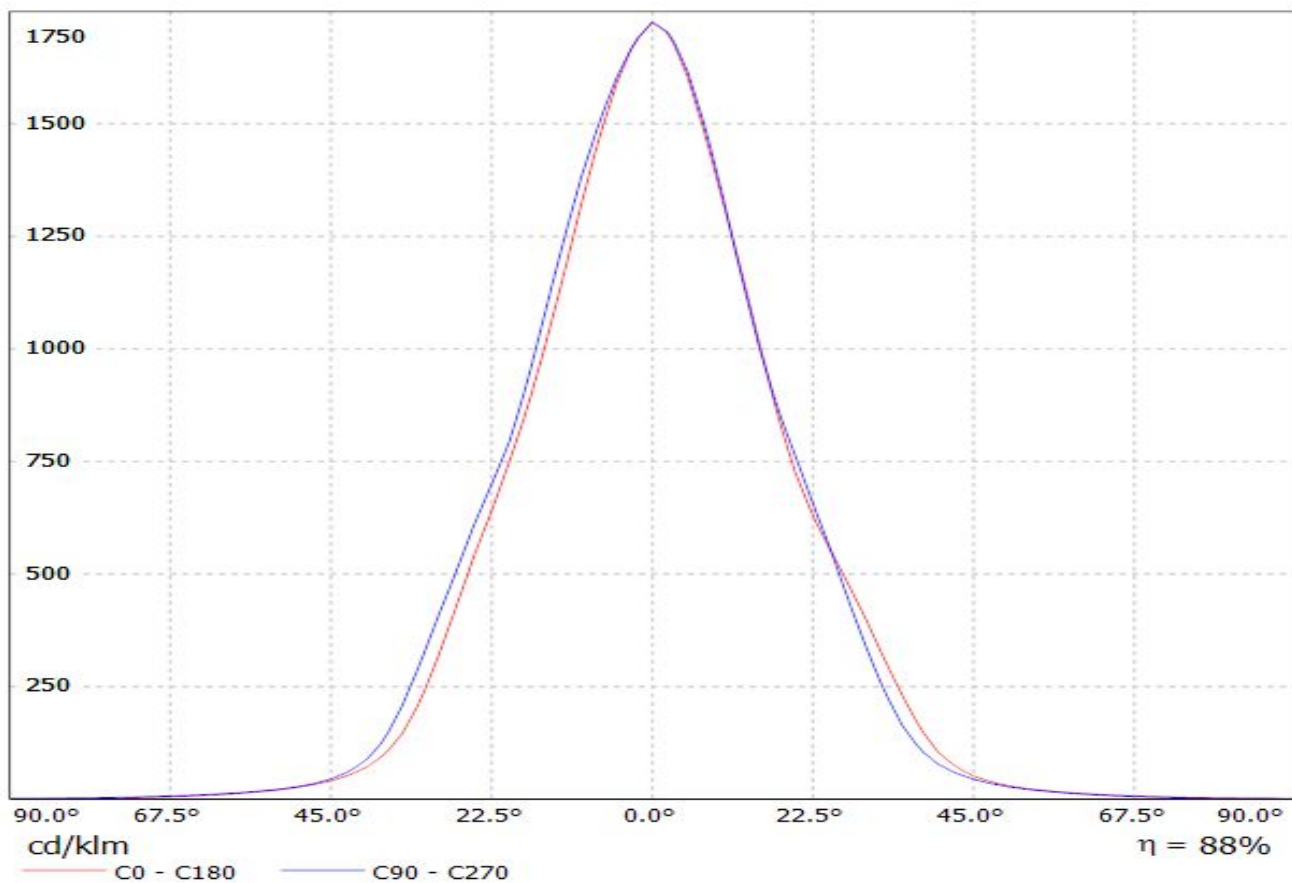
Luminaire: Ledil Oy FP11055_LISA2-RS-PIN_(Oslon_SSL_80)_SIMULATED
Lamps: 1 x Osram Oslon SSL 80



Luminaire: LEDiL Oy FP11002 & FP11082_LISA2-W_(SSL80) Eff.87.5%
Lamps: 1 x Oslon SSL80 (77.5072lm@250mA)

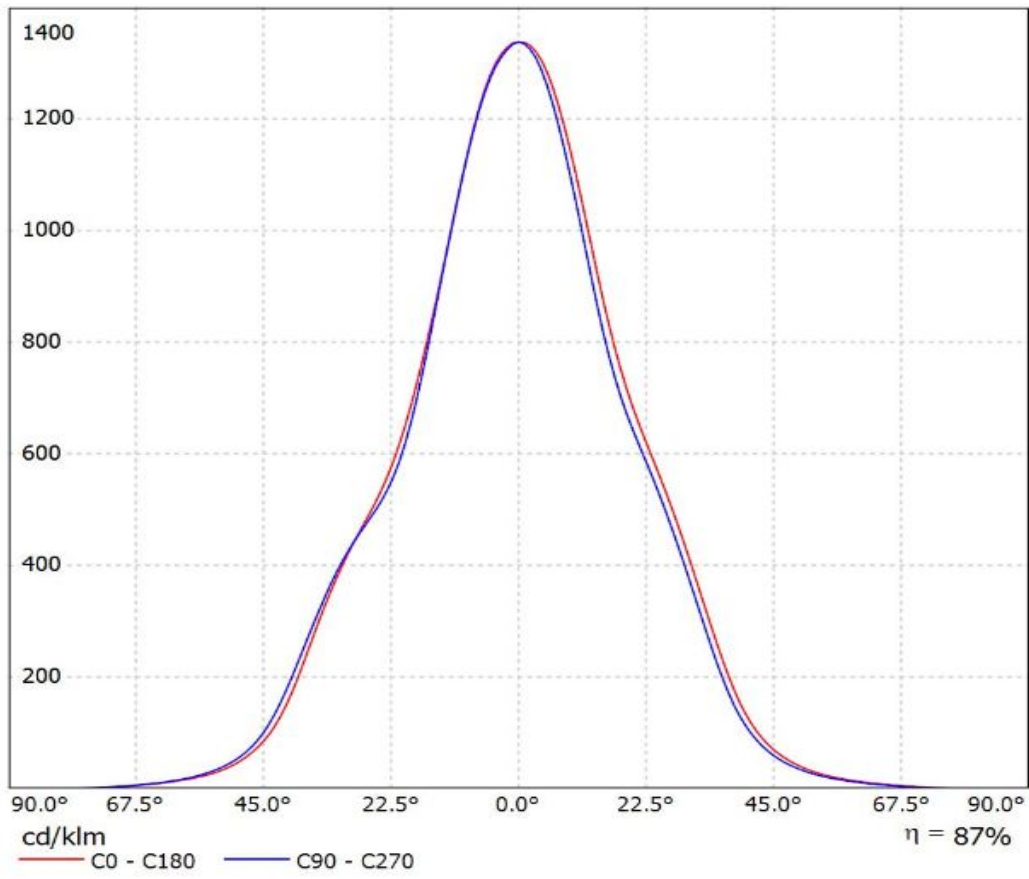


Luminaire: LEDiL Oy FP11002 & FP11082_LISA2-W_(SSL80) Eff.87.5%
Lamps: 1 x Oslon SSL80 (77.5072lm@250mA)

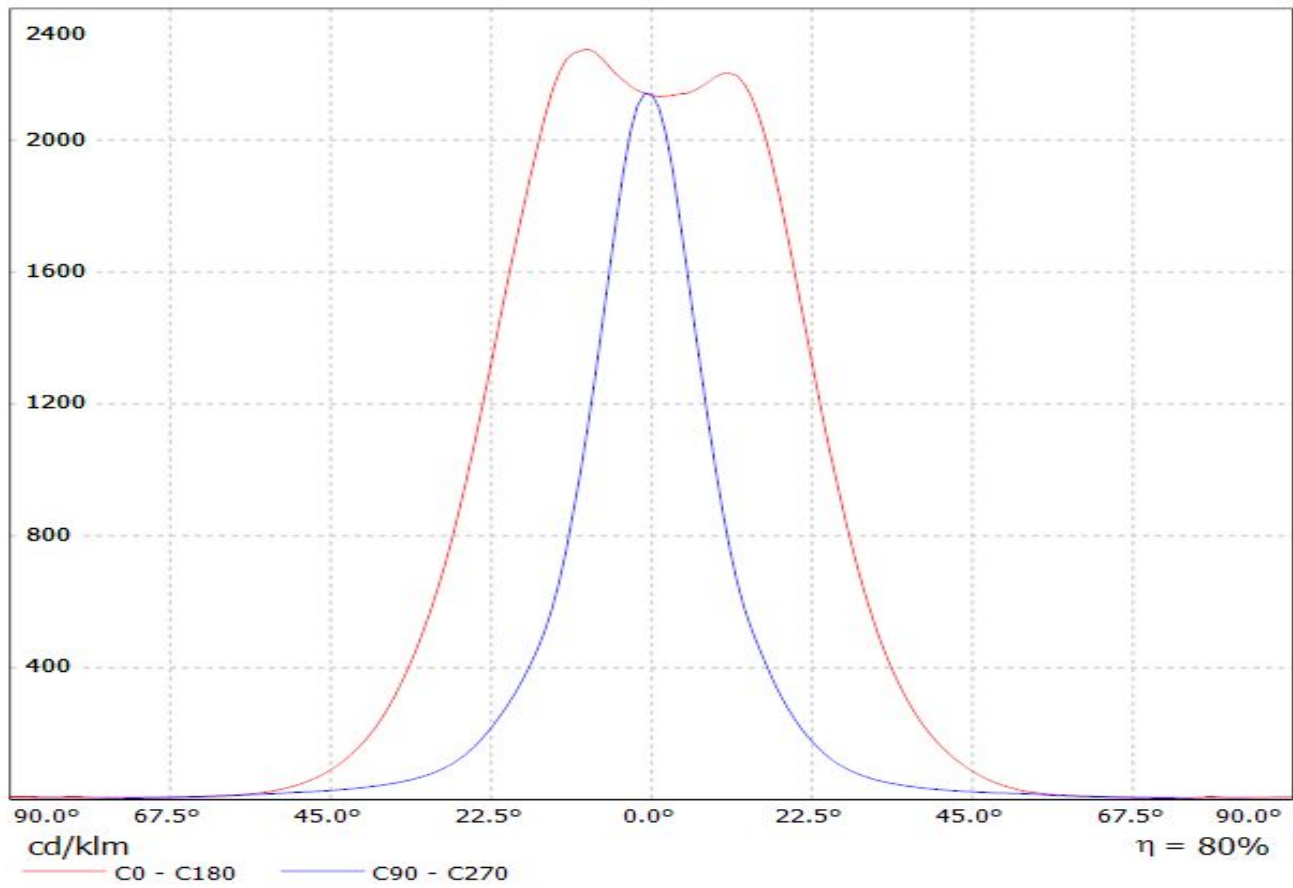


Luminaire: Ledil FP11003_LISA2-WW-PIN_(SSL80)

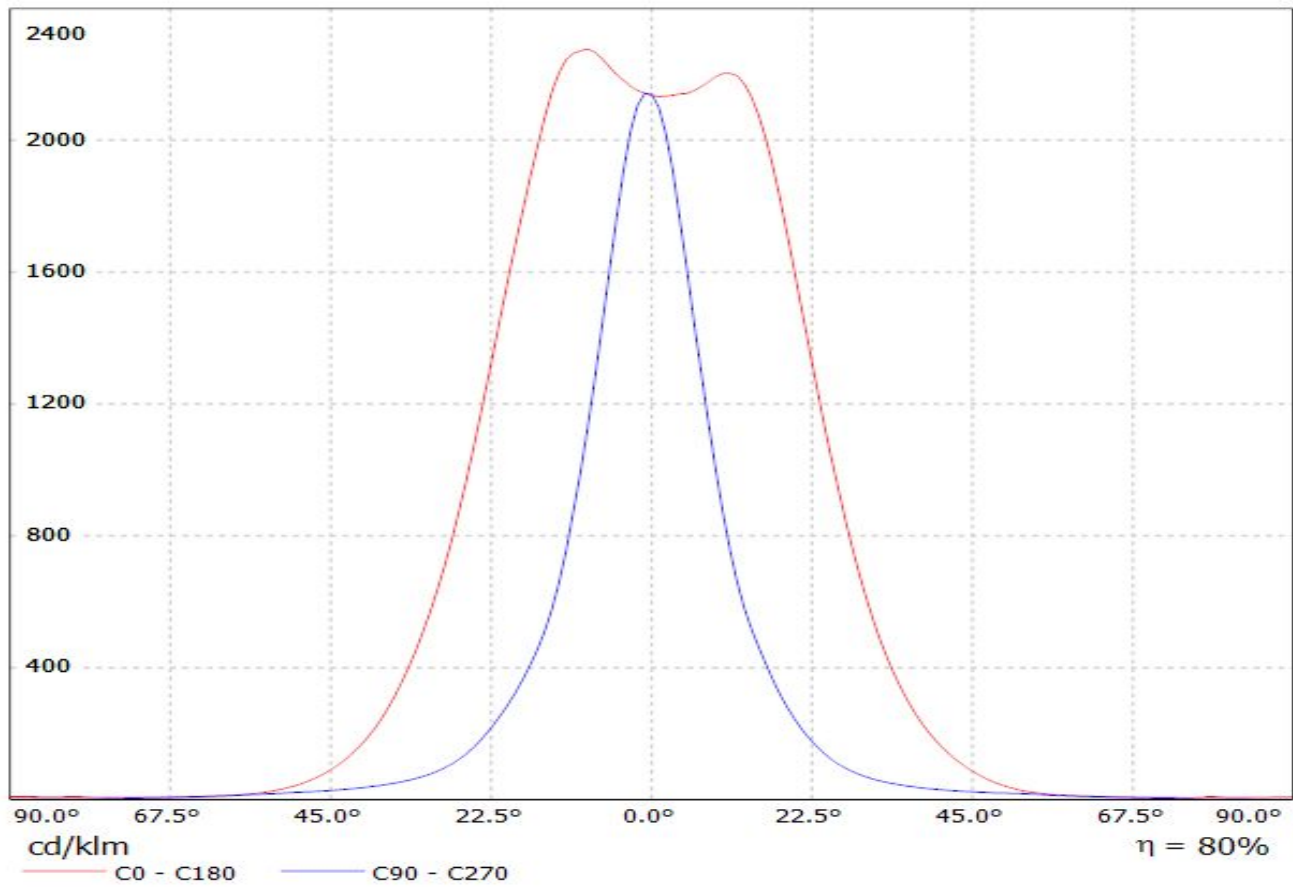
Lamps: 1 x Osram_Oslon_SSL80_(GW_CS8PM1.EM-KULQ-A7371)_88.4565lm@250mA_CCT=3000K_P=0.768825W_I=0.250A_CRI=Typ82



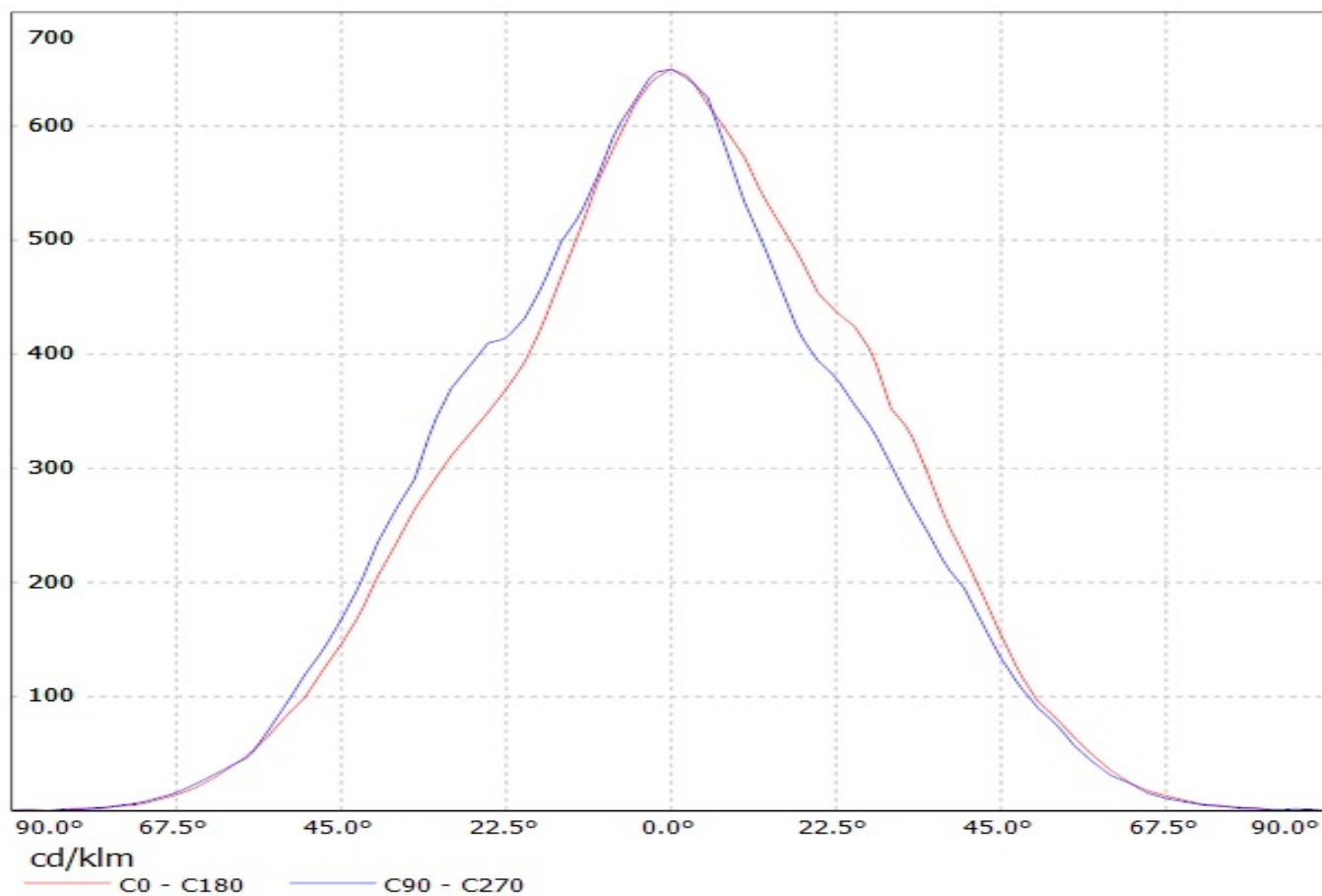
Luminaire: LEDiL Oy FP11124&FP11120_Lisa2-O_(SSL80) Eff.80.4%
Lamps: 1 x Oslon SSL80 (77.5621lm@250mA)



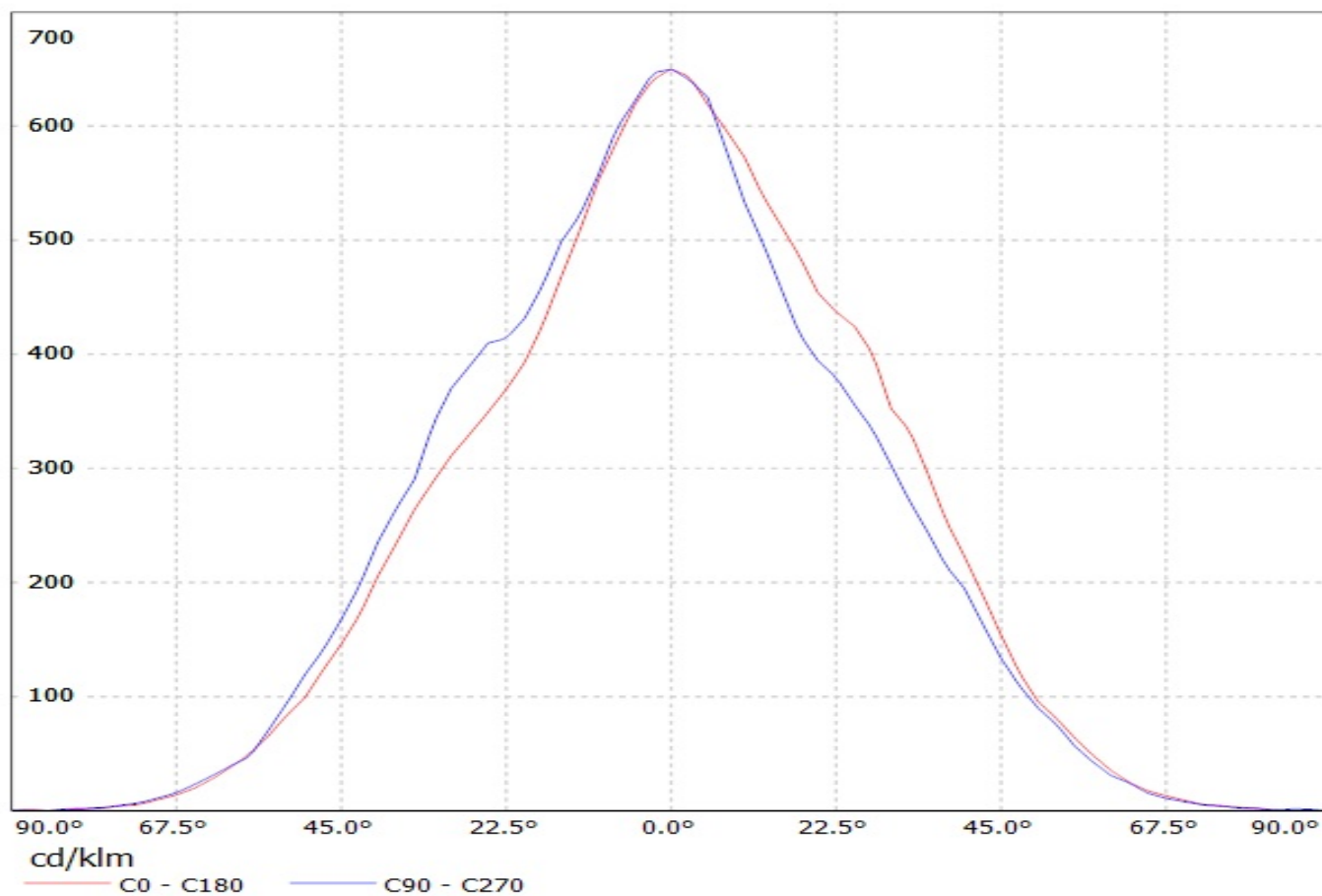
Luminaire: LEDiL Oy FP11124&FP11120_Lisa2-O_(SSL80) Eff.80.4%
Lamps: 1 x Oslon SSL80 (77.5621lm@250mA)



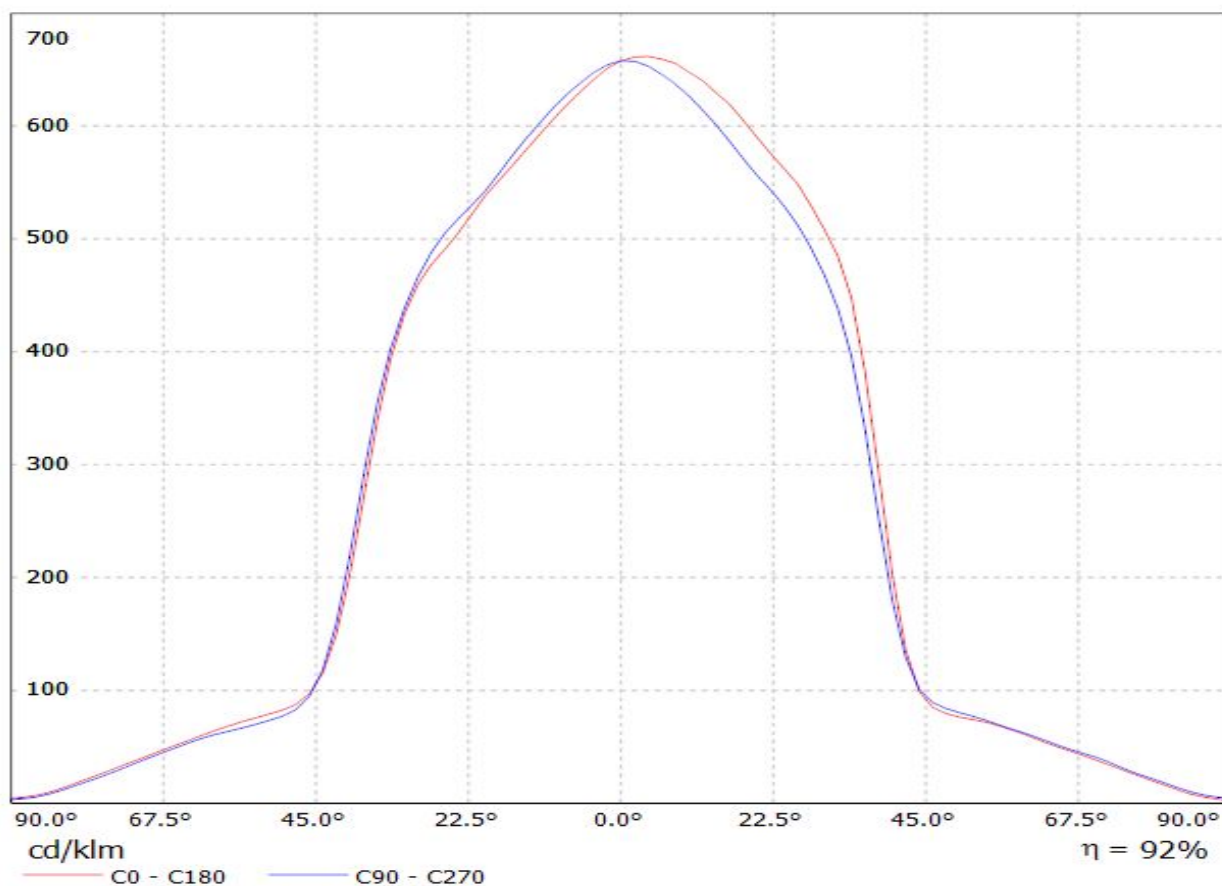
Luminaire: Ledil Oy FP11957 & FP11958_LISA2-WWW (Osram Oslon 80 79lm @ 250mA) Efficiency=74%
Lamps: 1 x Osram Oslon 80 79lm @ 250mA



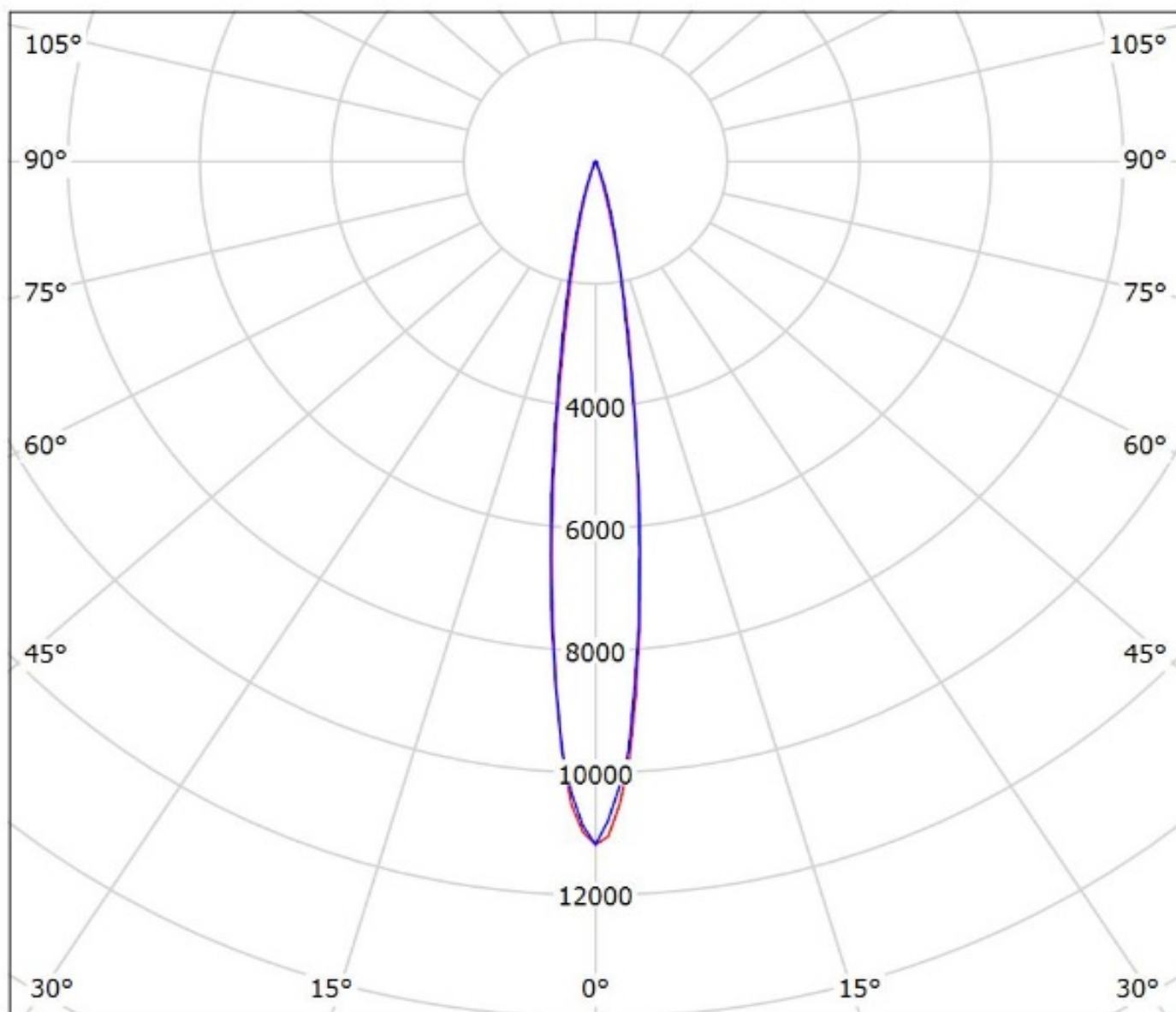
Luminaire: Ledil Oy FP11957 & FP11958_LISA2-WWW (Osram Oslon 80 79lm @ 250mA) Efficiency=74%
Lamps: 1 x Osram Oslon 80 79lm @ 250mA



Luminaire: LEDiL C12469_LISA2-R-PIN_(SSL80) Eff.92%
Lamps: 1 x Osram Oslon SSL80 (79lm@250mA)



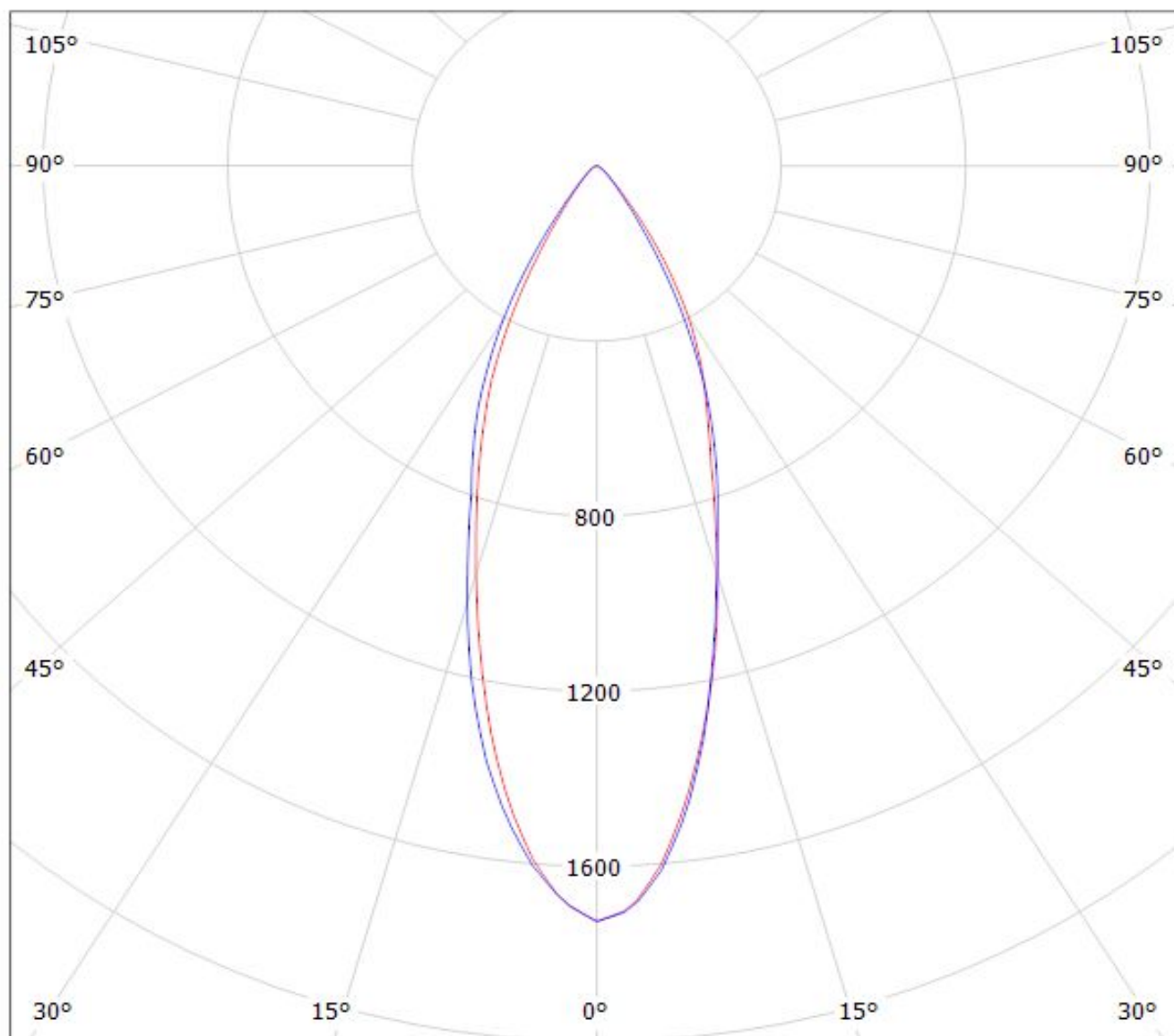
Luminaire: Ledil Oy FP11055_LISA2-RS-PIN_(Oslon_SSL_80)_SIMULATED
Lamps: 1 x Osram Oslon SSL 80



cd/klm
— C0 - C180 — C90 - C270

$\eta = 92\%$

Luminaire: LEDiL Oy FP11002 & FP11082_LISA2-W_(SSL80) Eff.87.5%
Lamps: 1 x Oslon SSL80 (77.5072lm@250mA)



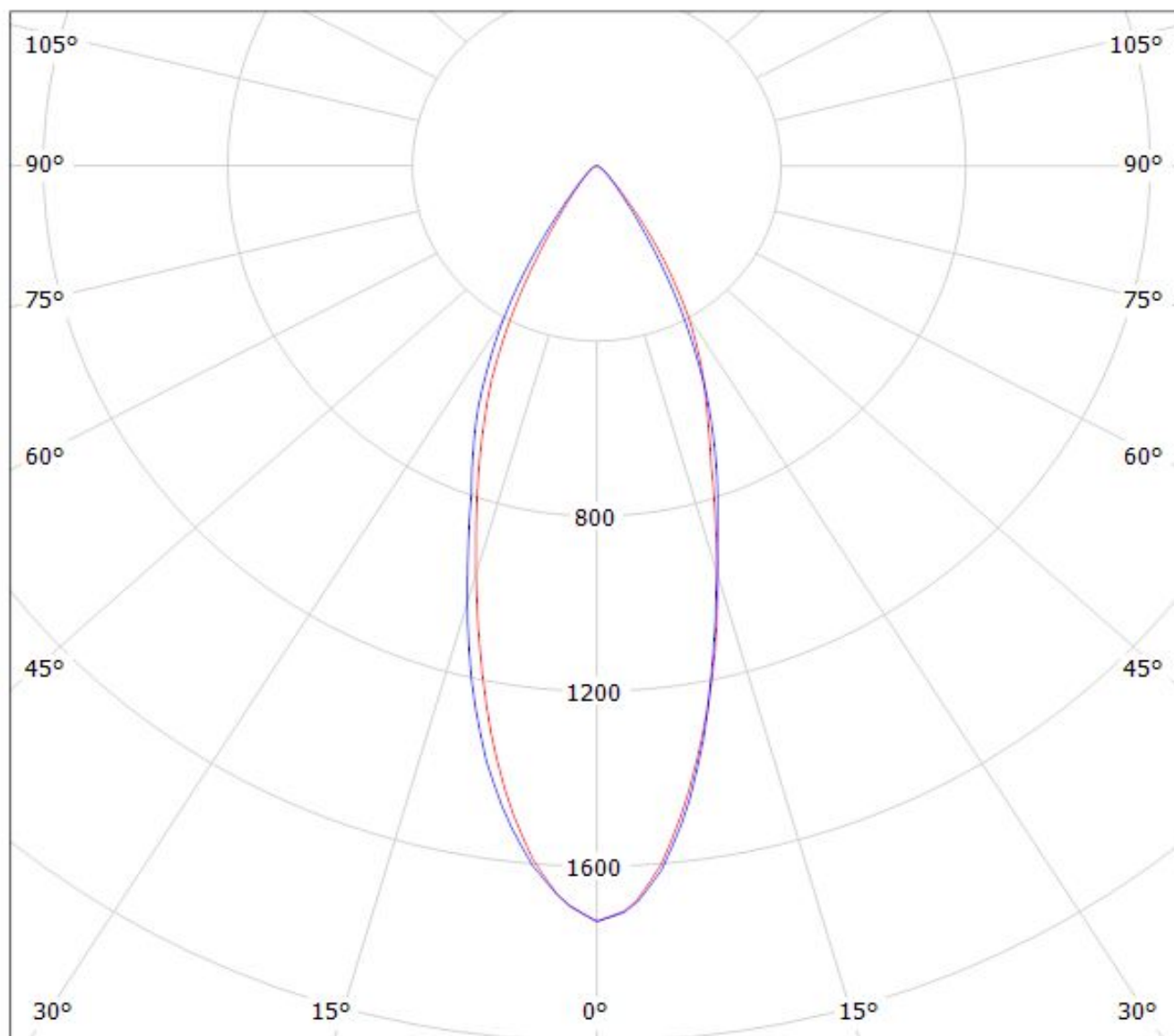
cd/klm

$\eta = 88\%$

— C0 - C180

— C90 - C270

Luminaire: LEDiL Oy FP11002 & FP11082_LISA2-W_(SSL80) Eff.87.5%
Lamps: 1 x Oslon SSL80 (77.5072lm@250mA)



cd/klm

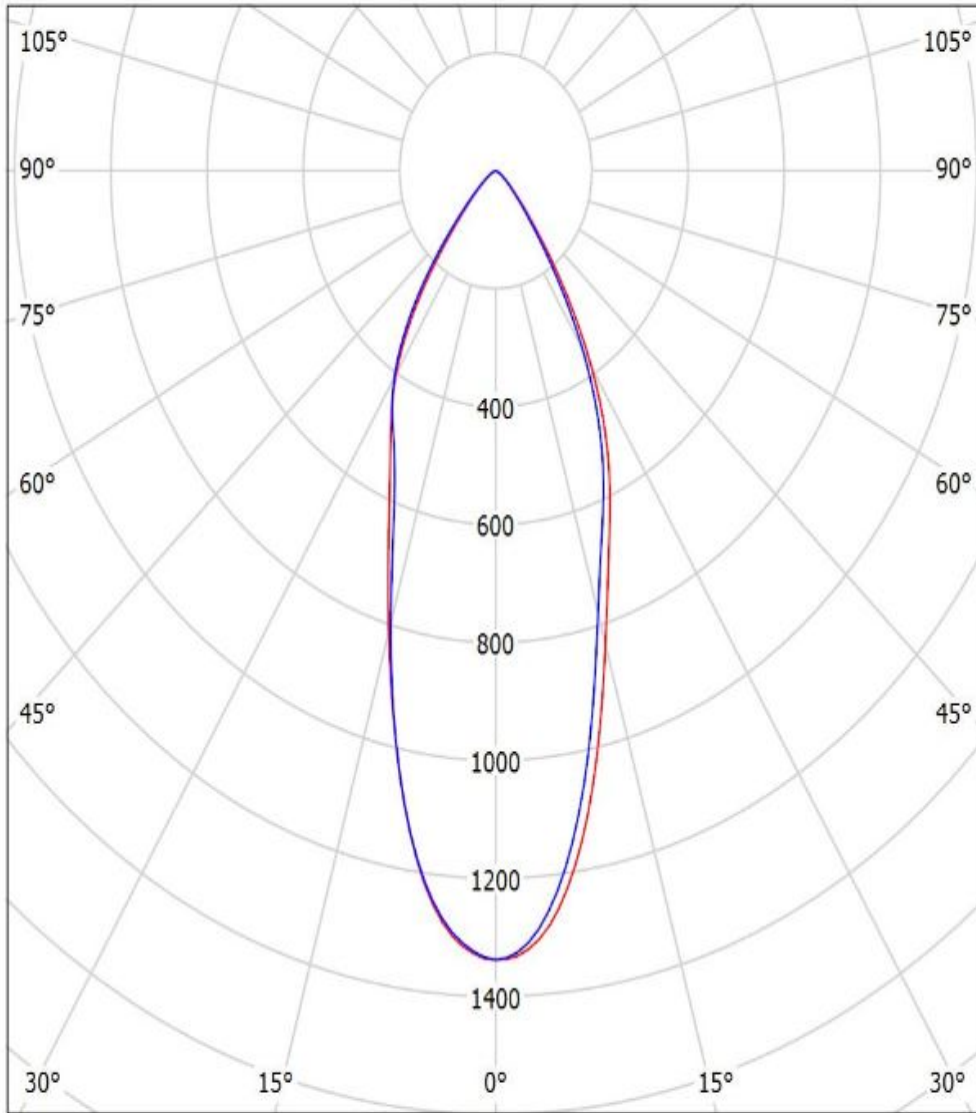
$\eta = 88\%$

— C0 - C180

— C90 - C270

Luminaire: Ledil FP11003_LISA2-WW-PIN_(SSL80)

Lamps: 1 x Osram_Oslon_SSL80_(GW_CS8PM1.EM-KULQ-A7371)_88.4565lm@250mA_CCT=3000K_P=0.768825W_I=0.250A_CRI=Typ82

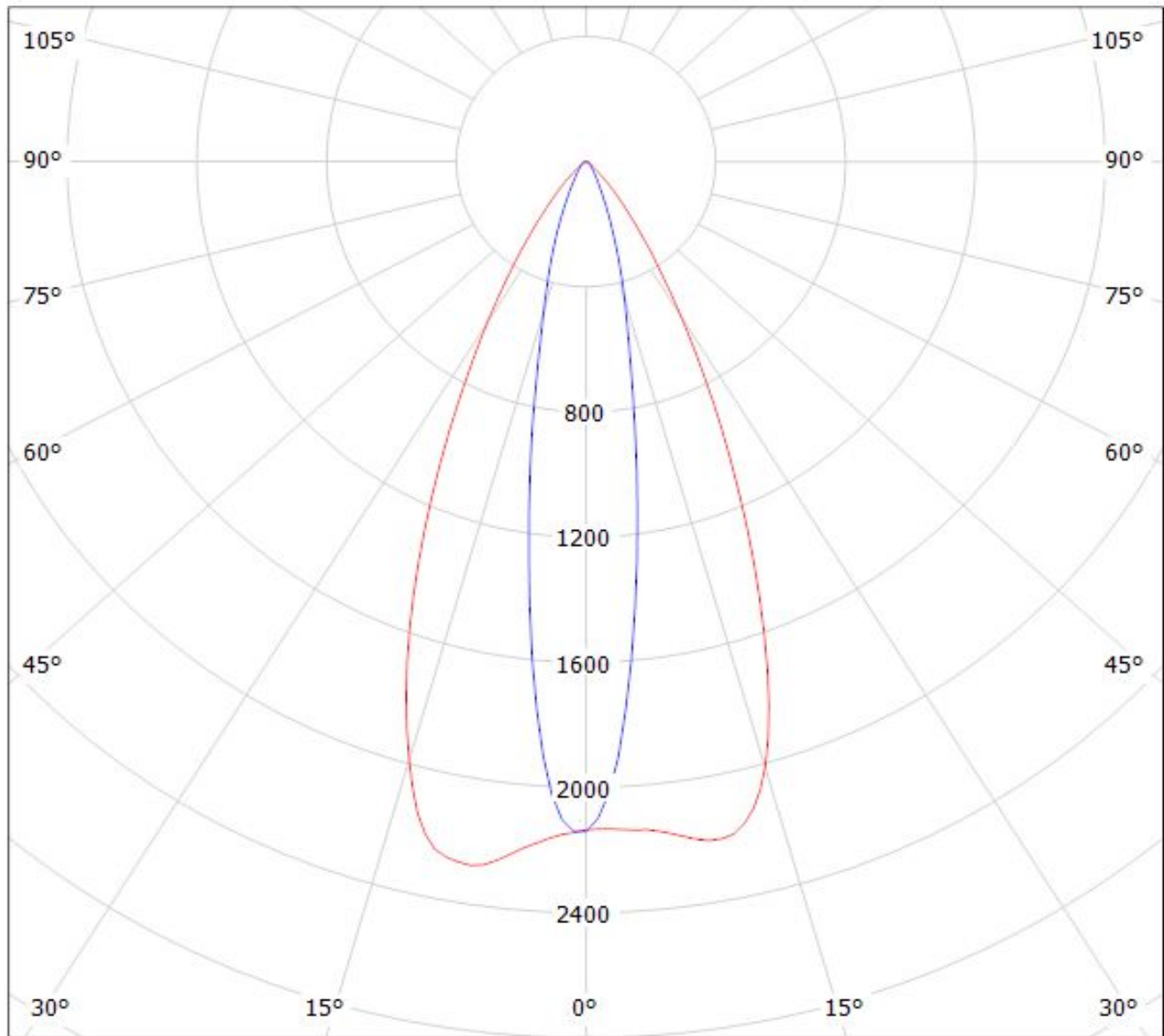


cd/klm

— C0 - C180 — C90 - C270

$\eta = 87\%$

Luminaire: LEDiL Oy FP11124&FP11120_Lisa2-O_(SSL80) Eff.80.4%
Lamps: 1 x Oslon SSL80 (77.5621lm@250mA)

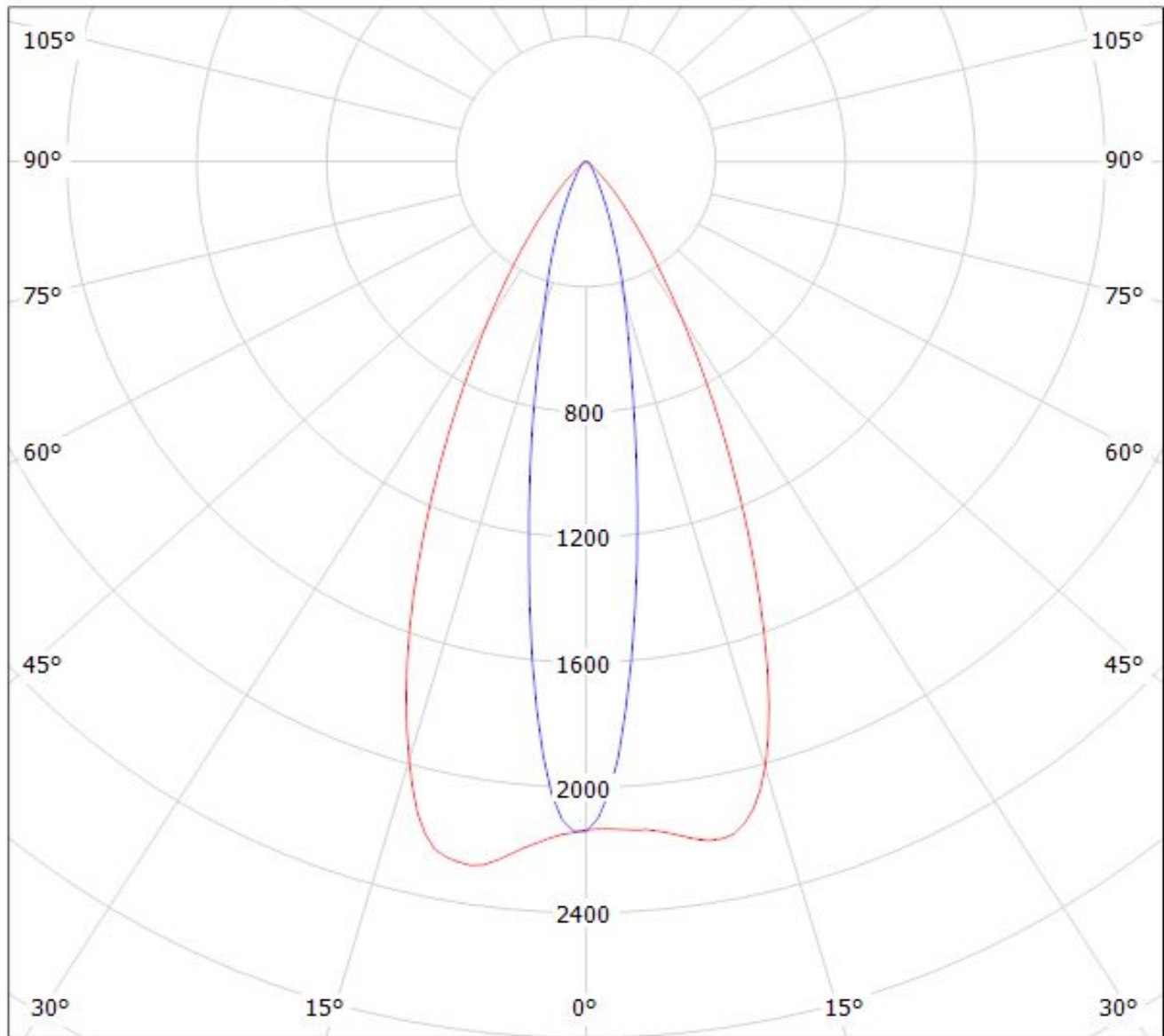


cd/klm

— C0 - C180 — C90 - C270

$\eta = 80\%$

Luminaire: LEDiL Oy FP11124&FP11120_Lisa2-O_(SSL80) Eff.80.4%
Lamps: 1 x Oslon SSL80 (77.5621lm@250mA)

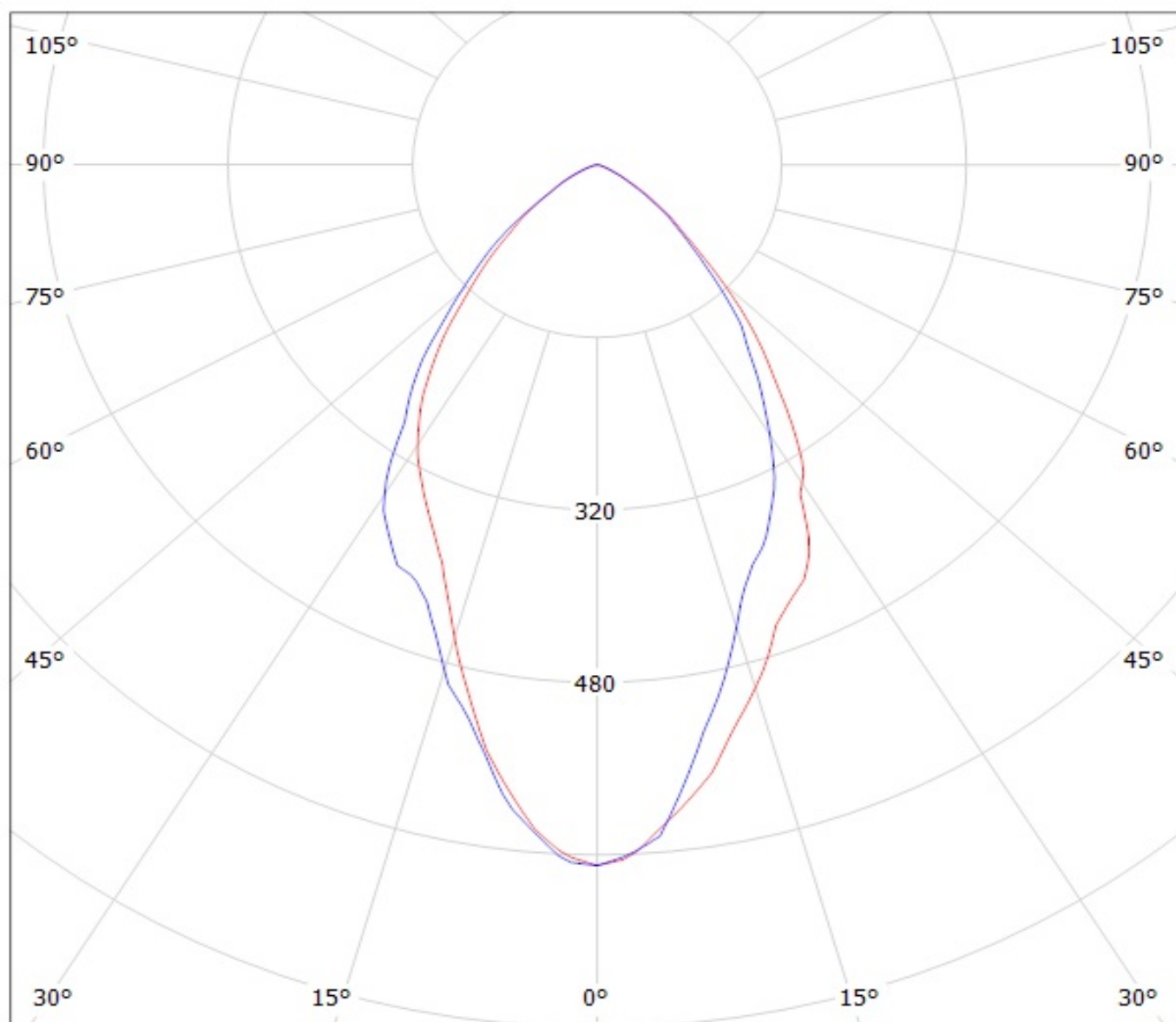


cd/klm

— C0 - C180 — C90 - C270

$\eta = 80\%$

Luminaire: Ledil Oy FP11957 & FP11958_LISA2-WWW (Osram Oslon 80 79lm @ 250mA) Efficiency=74%
Lamps: 1 x Osram Oslon 80 79lm @ 250mA

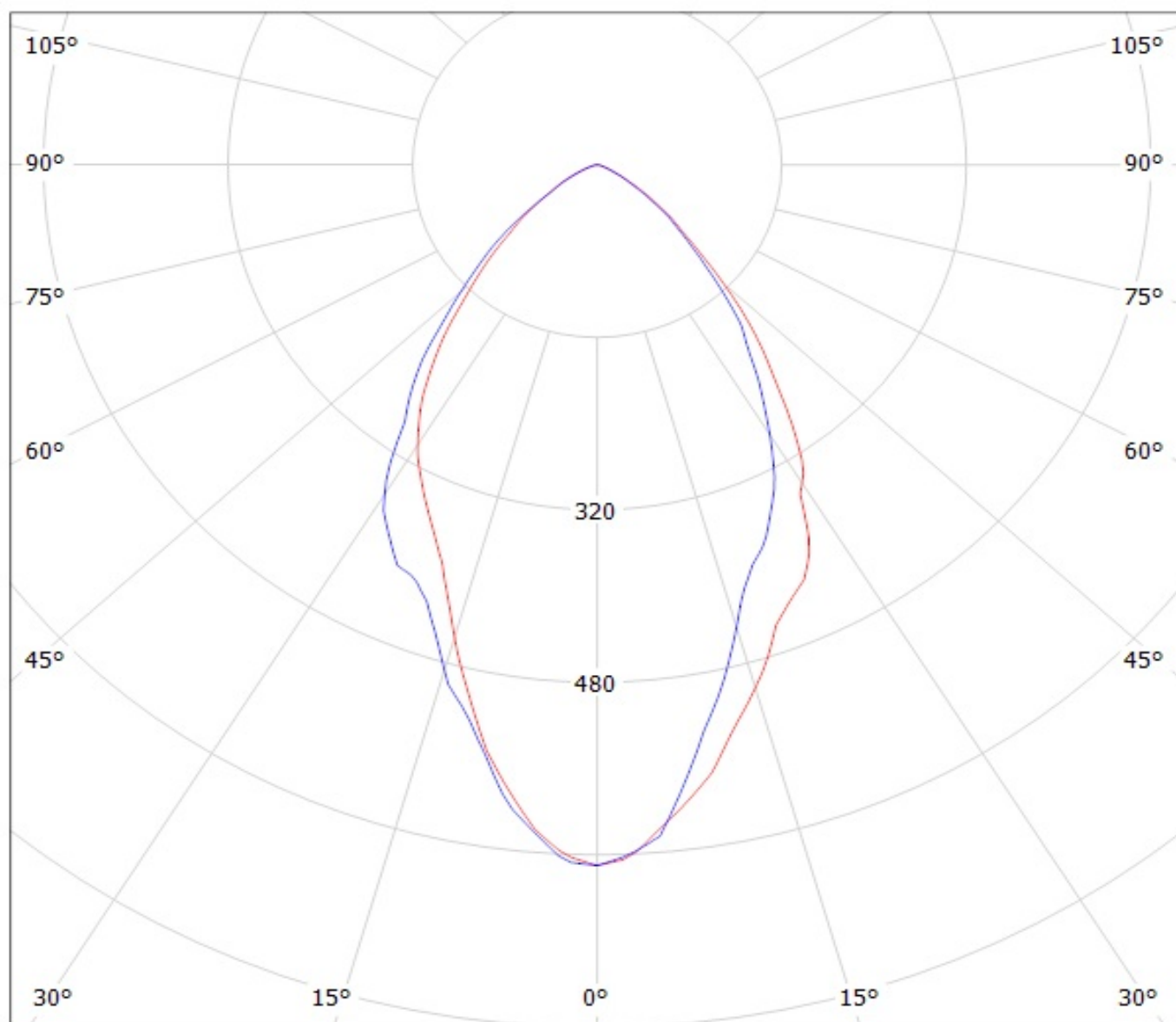


cd/klm

— C0 - C180

— C90 - C270

Luminaire: Ledil Oy FP11957 & FP11958_LISA2-WWW (Osram Oslon 80 79lm @ 250mA) Efficiency=74%
Lamps: 1 x Osram Oslon 80 79lm @ 250mA



cd/klm

— C0 - C180

— C90 - C270

Luminaire: LEDiL C12469_LISA2-R-PIN_(SSL80) Eff.92%
Lamps: 1 x Osram Oslon SSL80 (79lm@250mA)

